

BOS 4 Lug Black OPS Gearbox with Swing Away

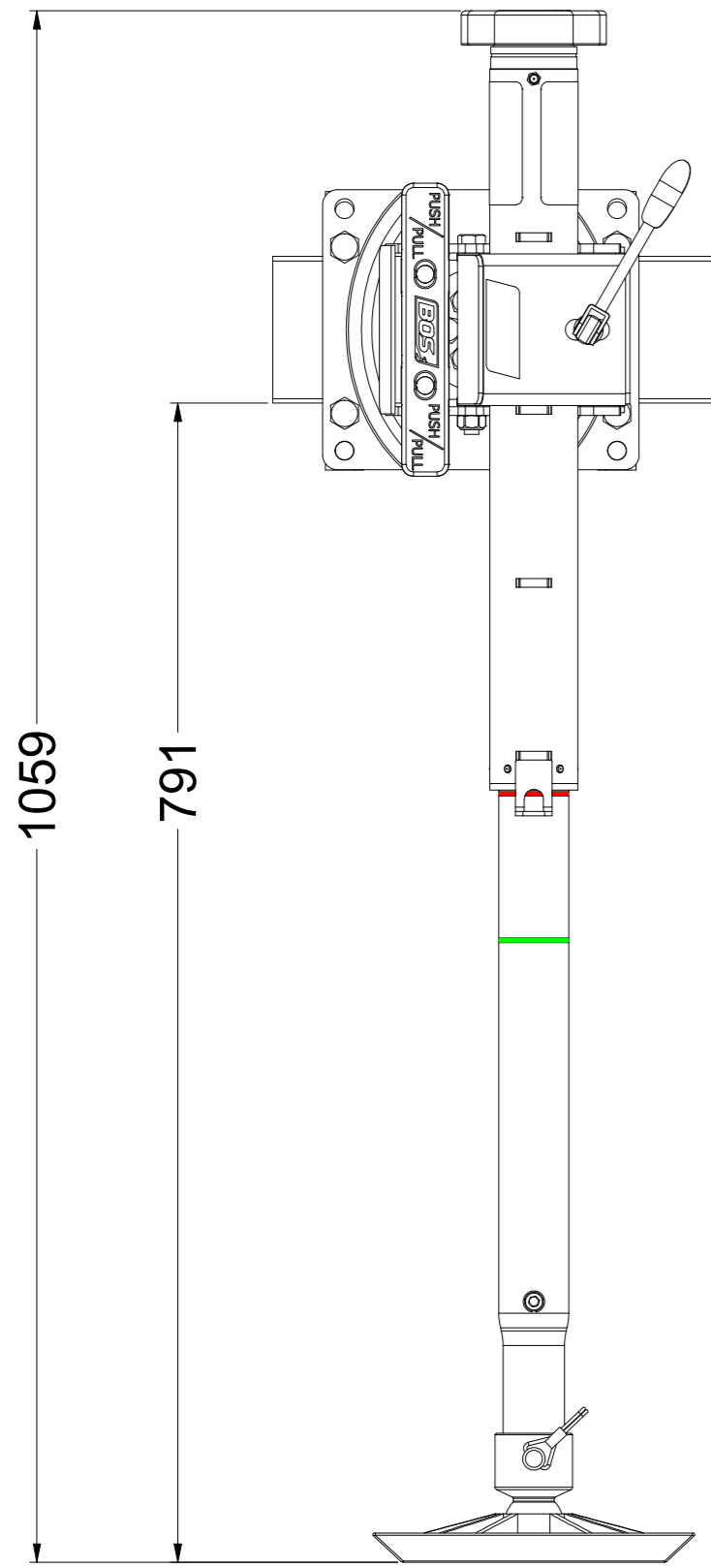
Maximum Lift Details
Dimensions with Base Plate

Unit with Swing Away Bracket Weight: 14.7Kg

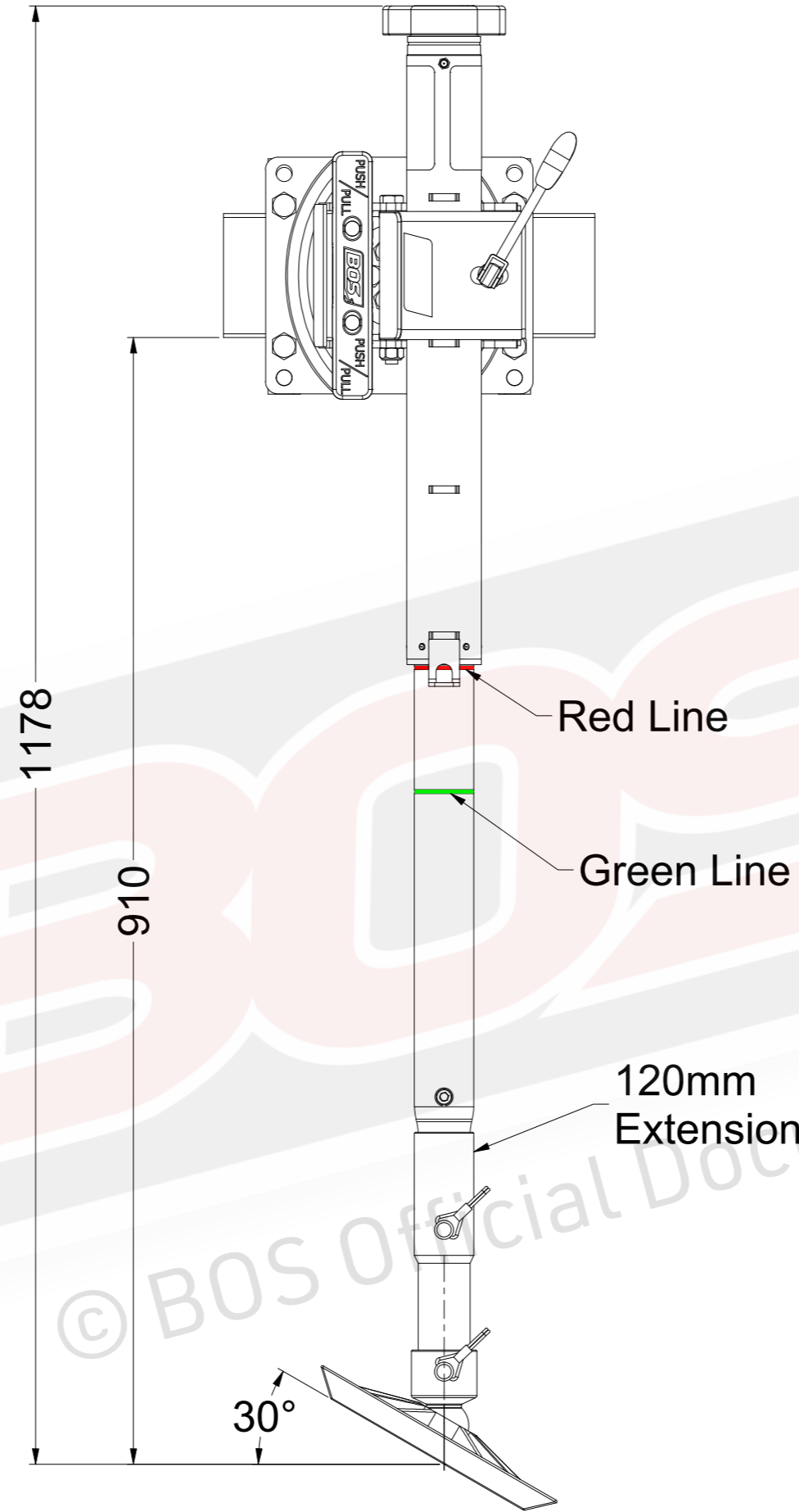


PART NO.: 700-025	
DO NOT SCALE DRAWING	SHEET: 8

Maximum Lift



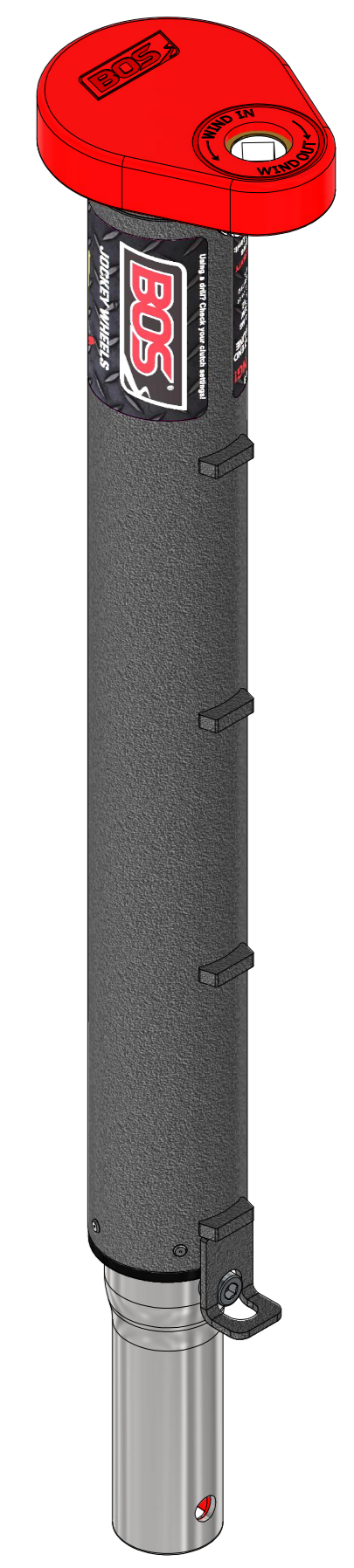
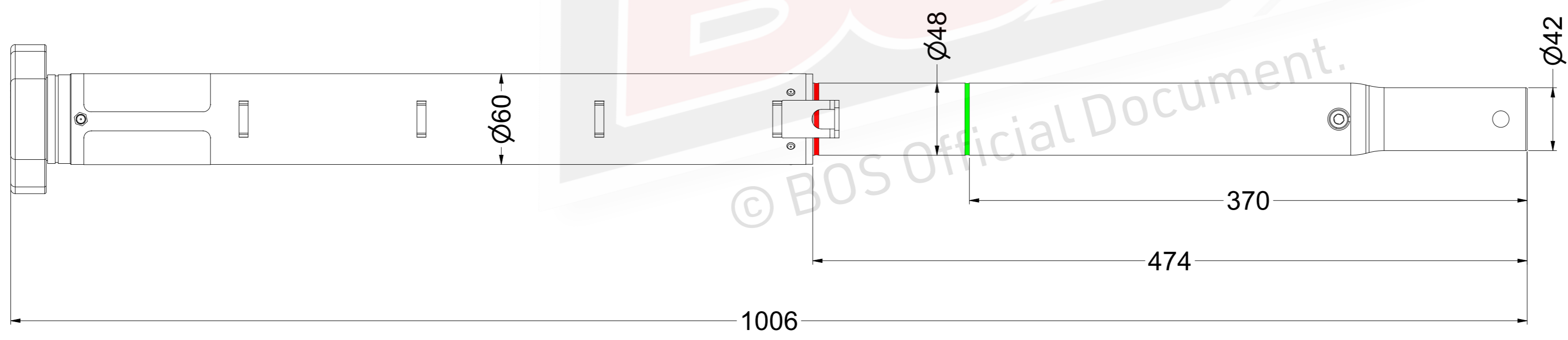
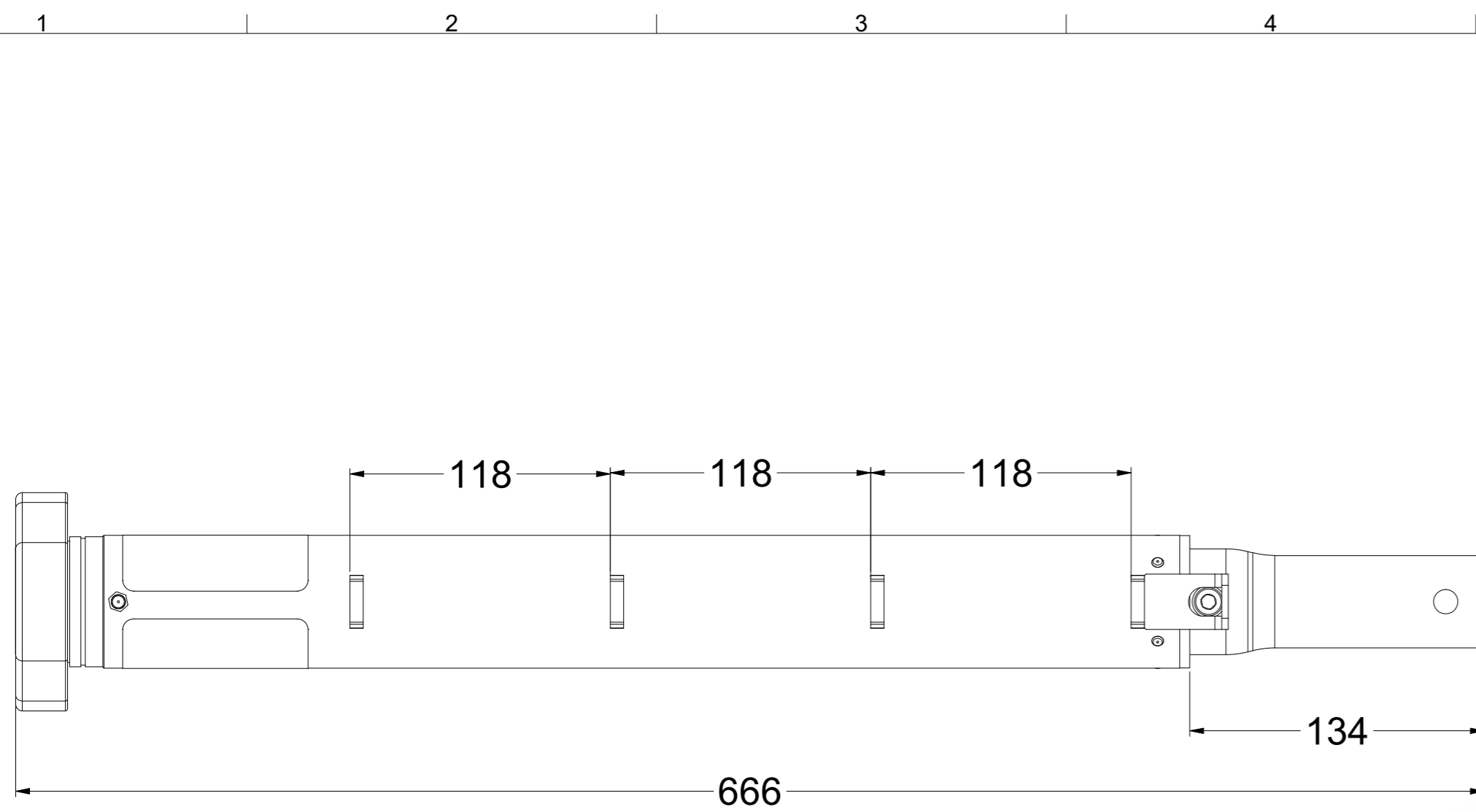
Maximum Lift & Slope with 120mm Extension



**BOS 4 Lug Black OPS Gearbox with
Swing Away**
Maximum Lift Details
Dimensions with Base Plate

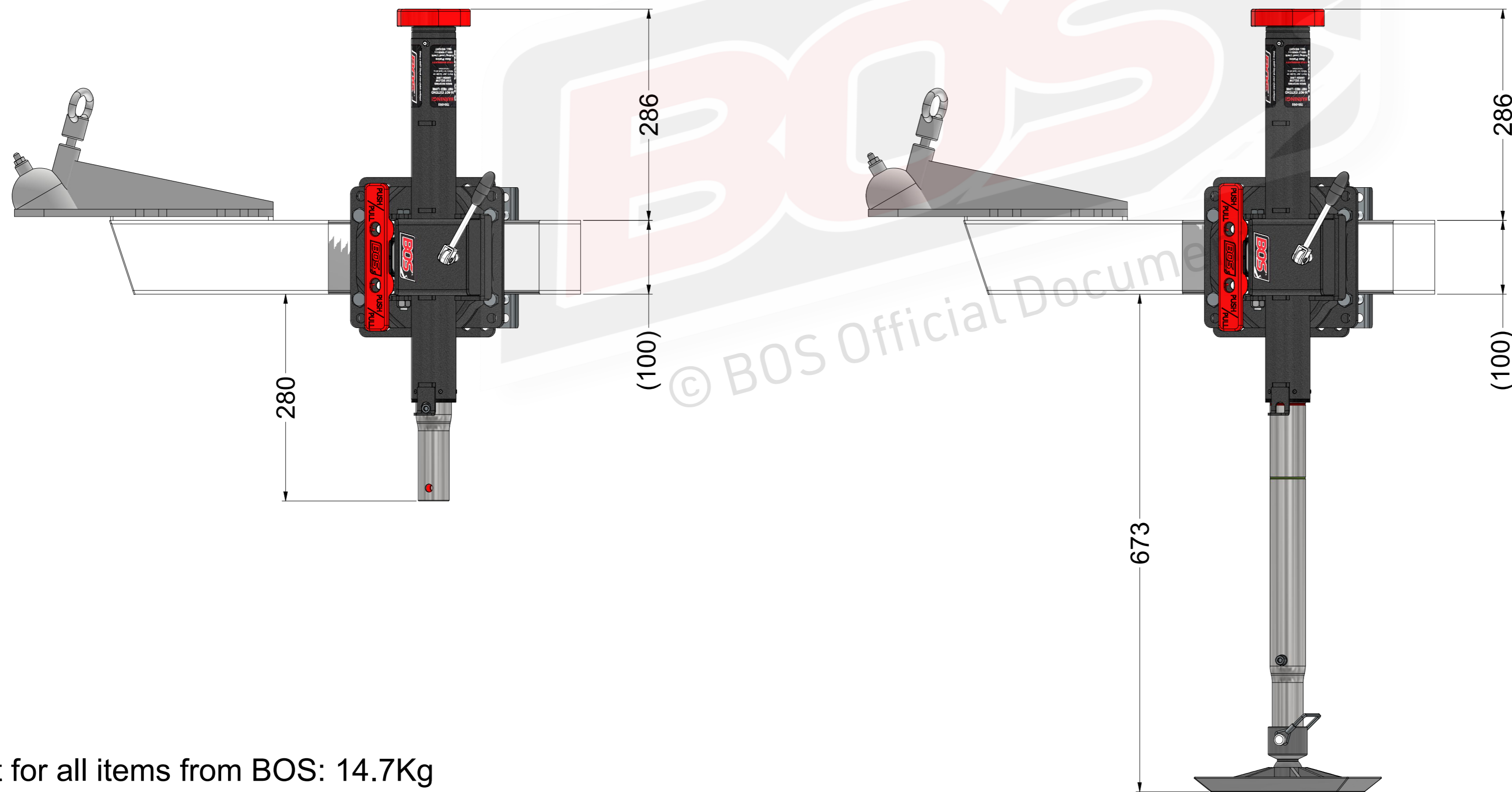
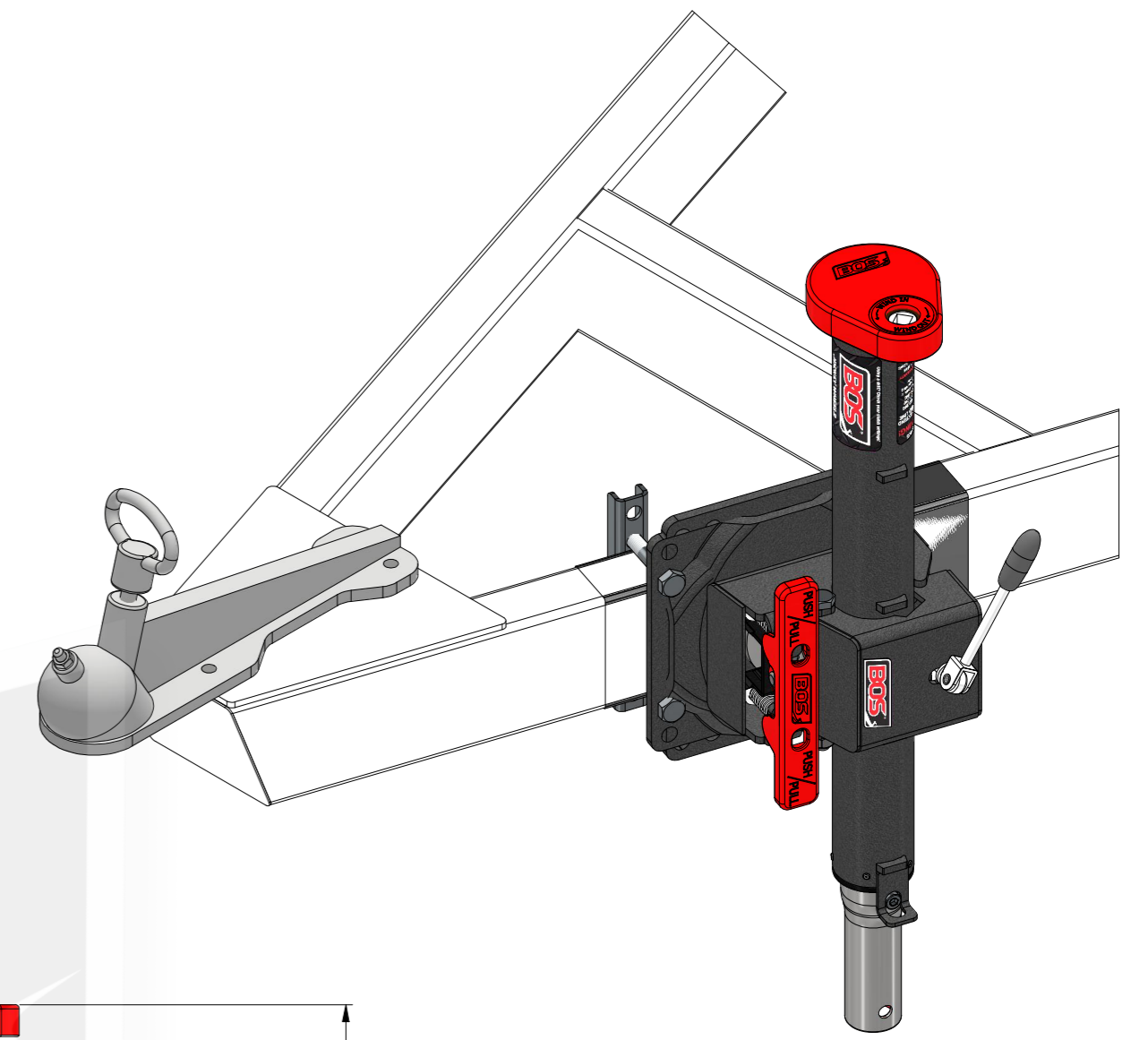
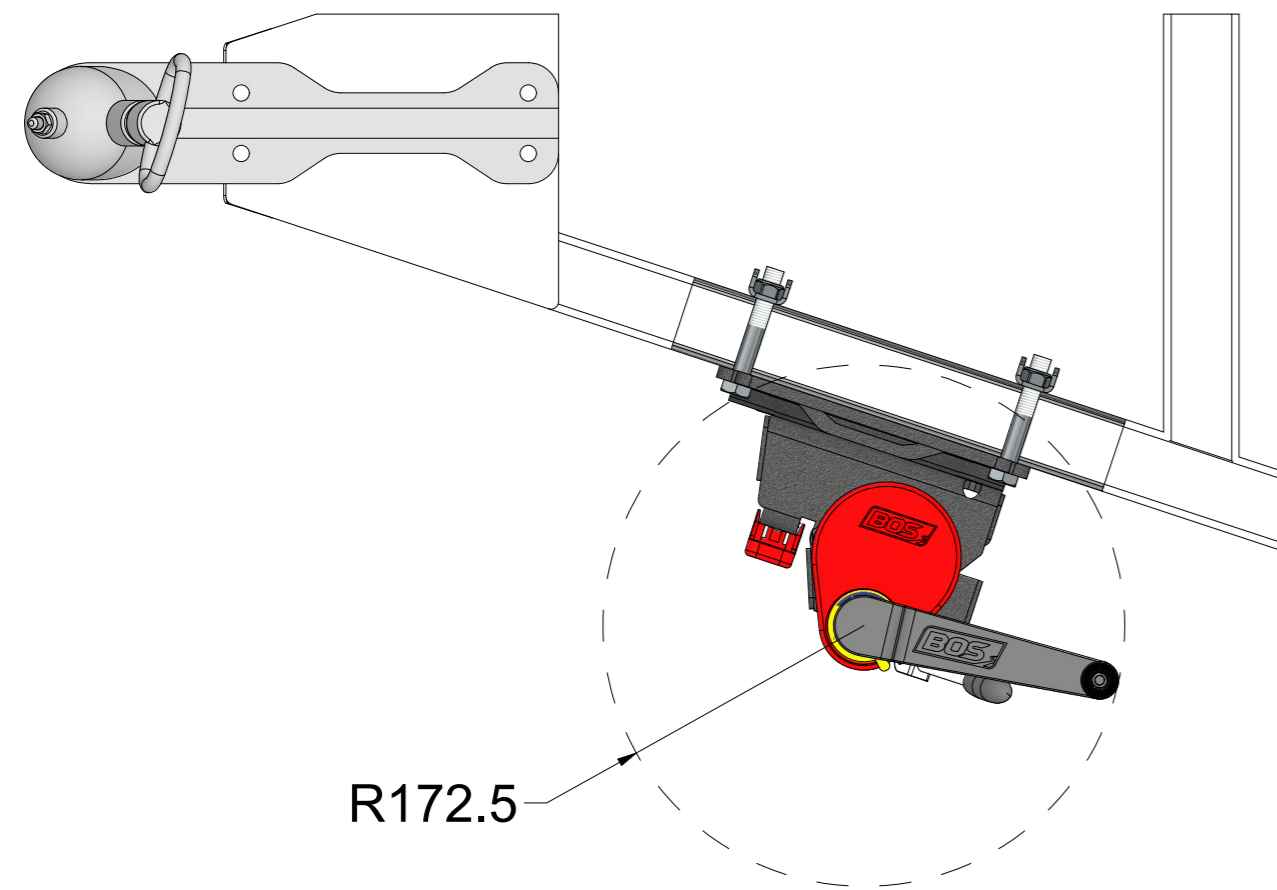


PART NO.:	
700-025	
DO NOT SCALE DRAWING	SHEET:
8	



Travel: 340mm
Weight of the Unit: 7Kg

	PART NO.: 700-025	
	DO NOT SCALE DRAWING	SHEET: 8



Weight for all items from BOS: 14.7Kg

Note: Customer to check all the clearance, this is a guide only.



PART NO.: 700-025	
DO NOT SCALE DRAWING	SHEET: 8

1 2 3 4 5 6 7 8

A

A

B

B

C

C

D

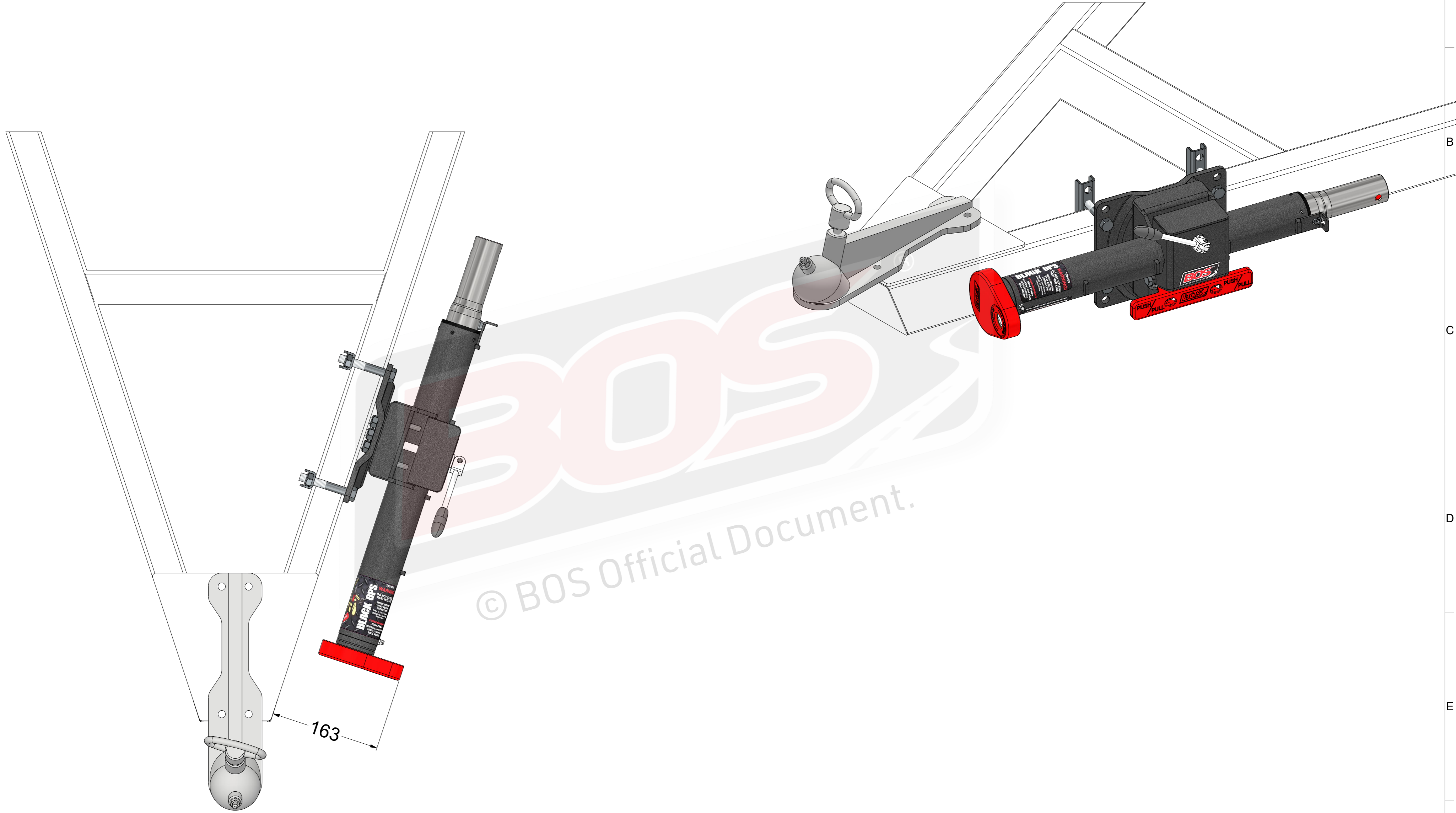
D

E

E

F

F



Note: Customer to check all the clearance, this is a guide only.

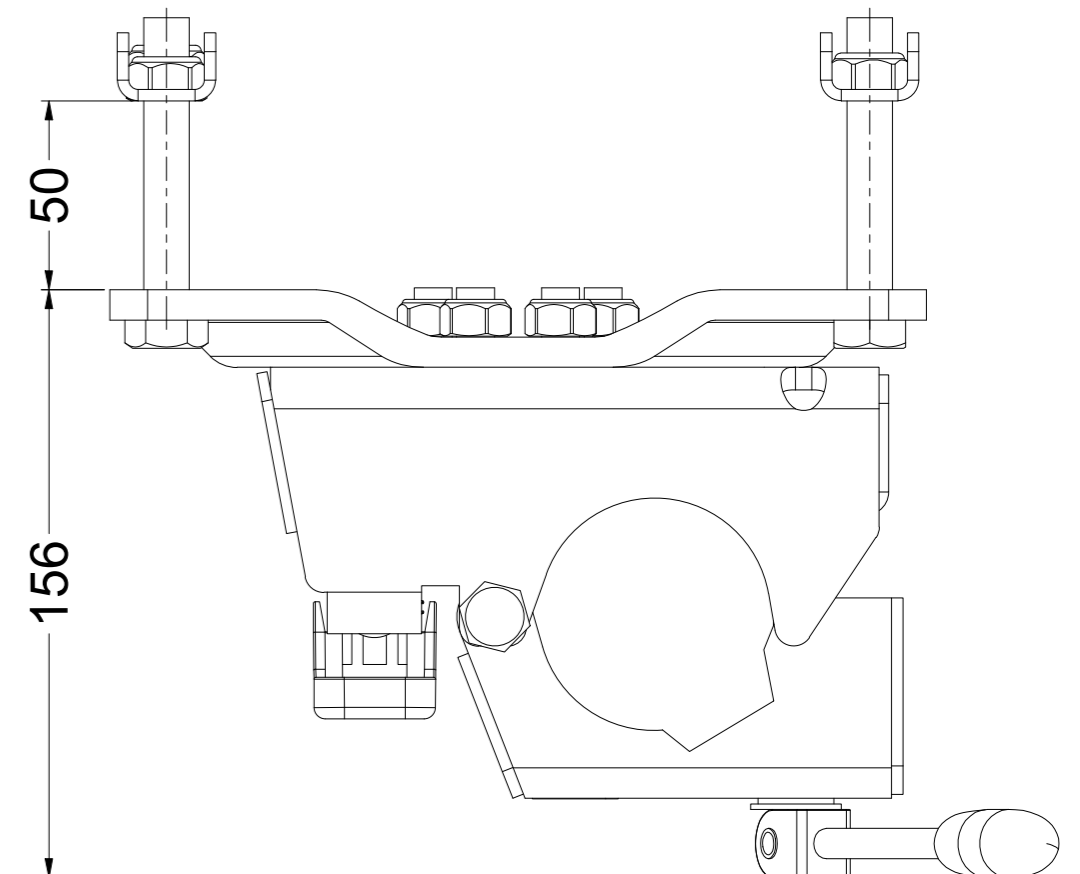
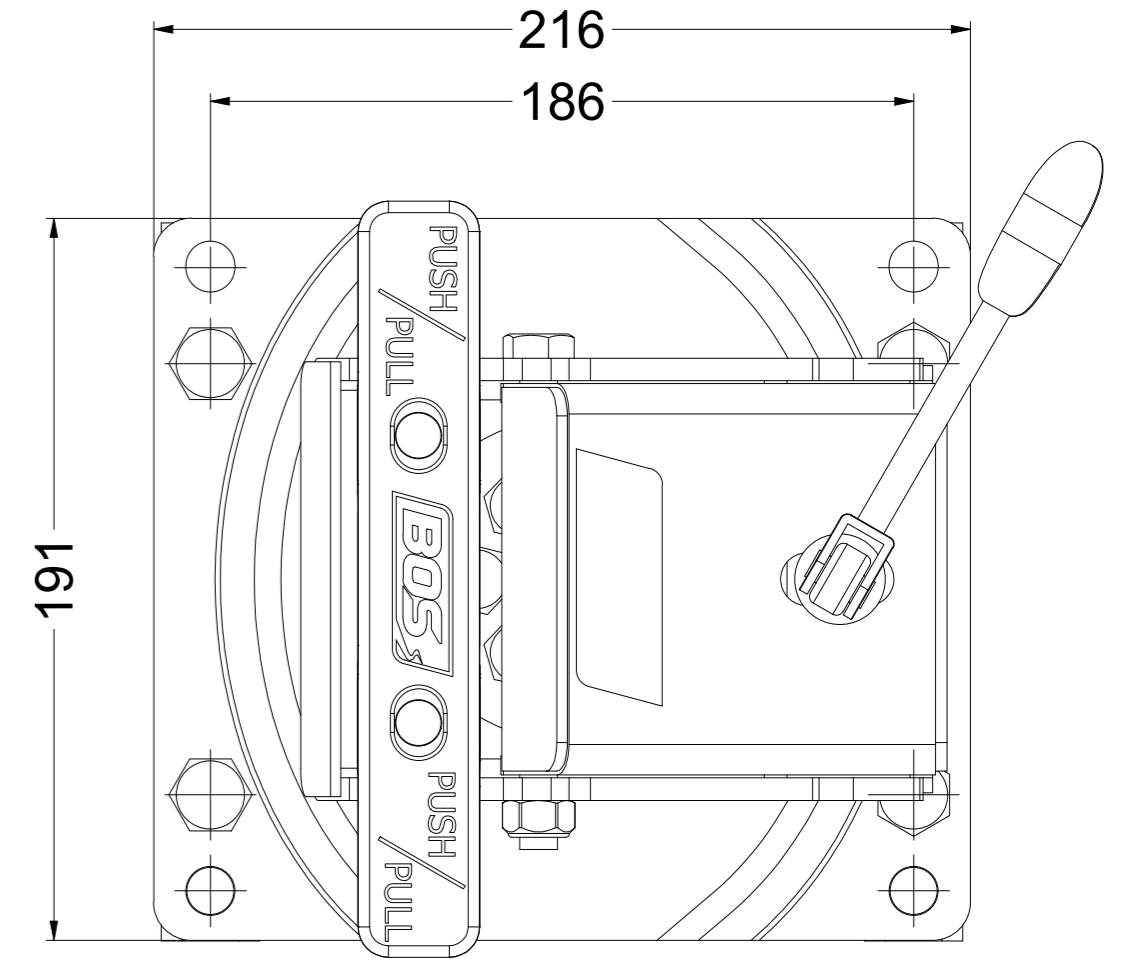
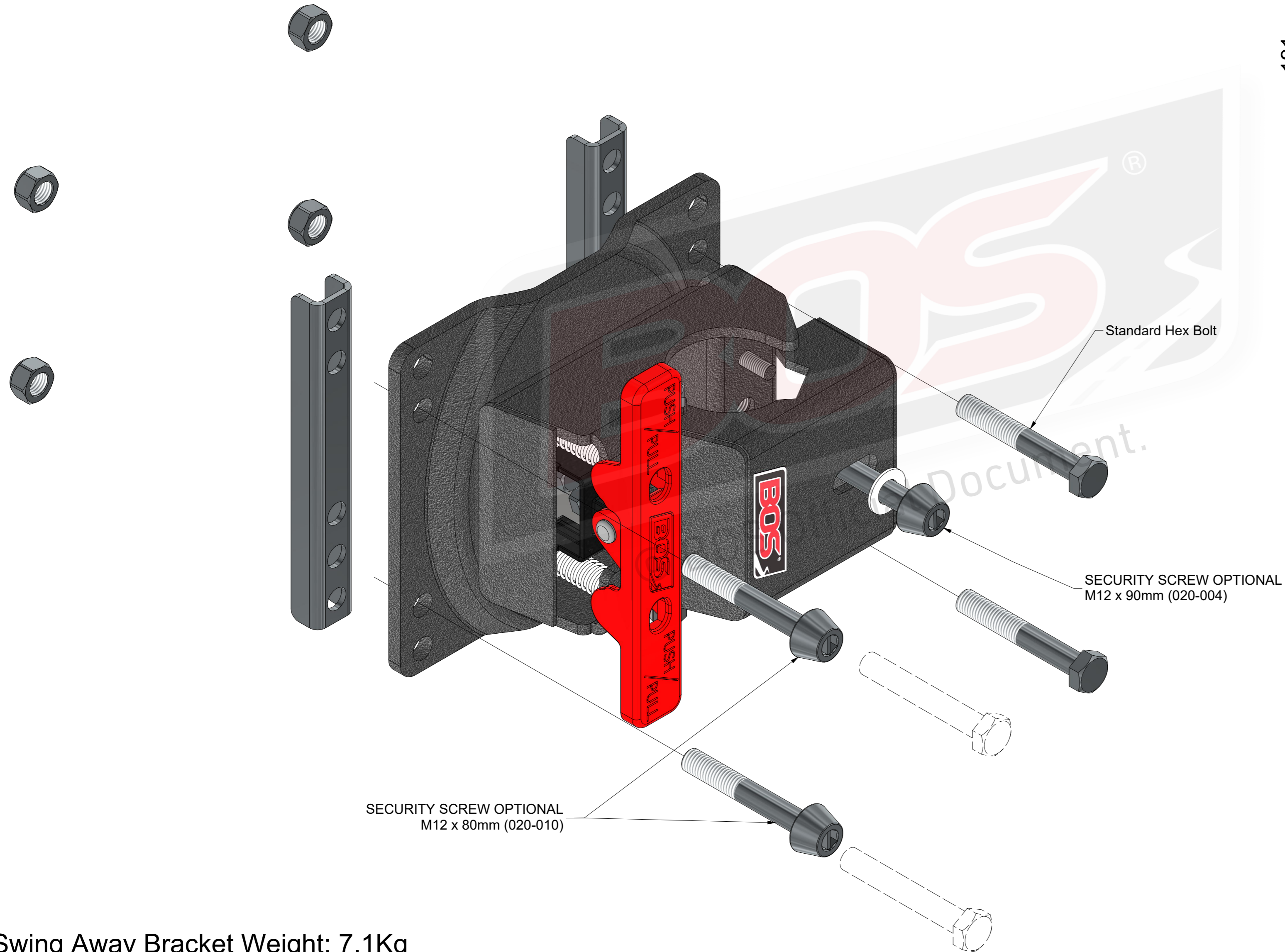


PART NO.:	
700-025	
DO NOT SCALE	SHEET:
DRAWING	8

1 2 3 4 5 6 7 8

Note:

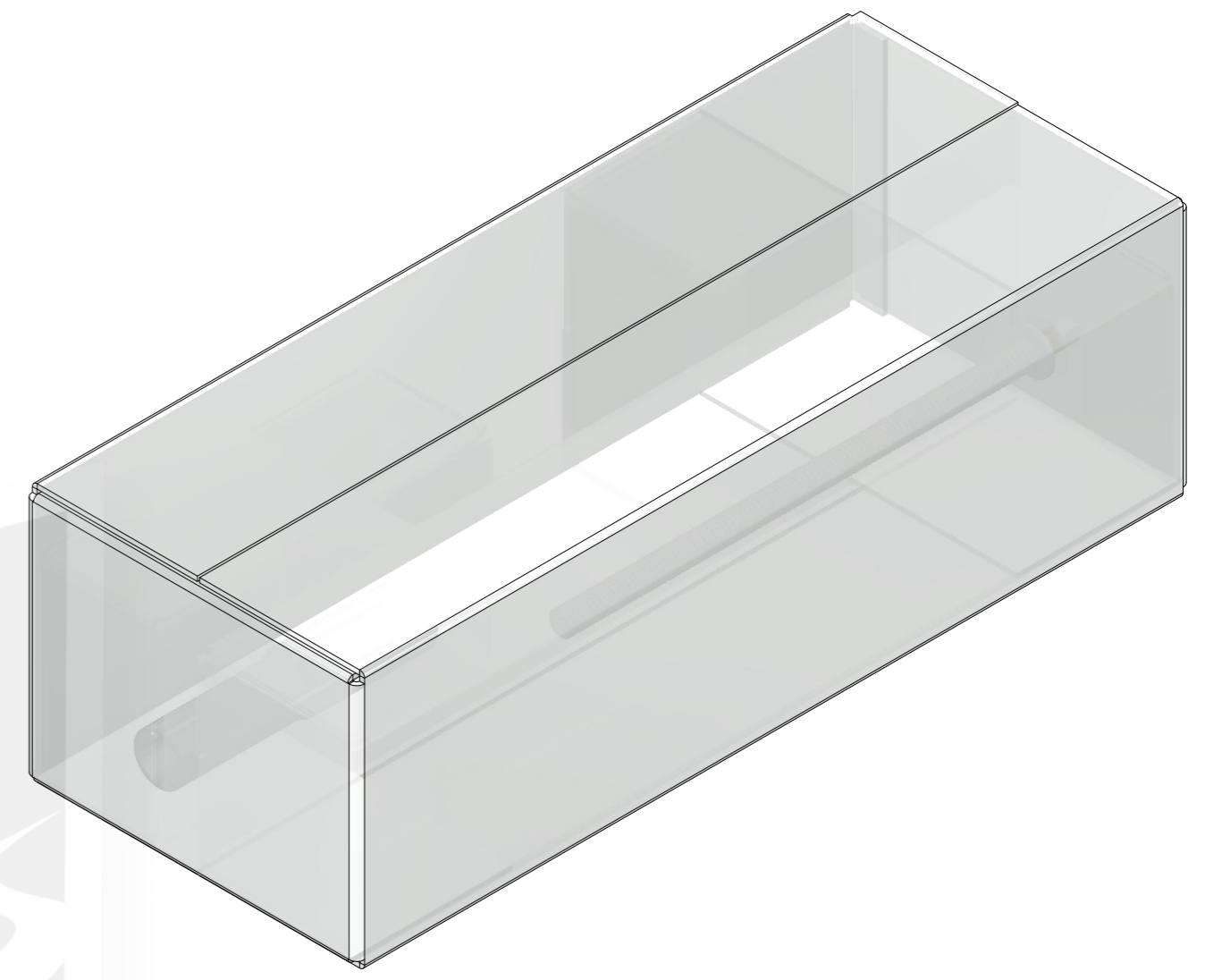
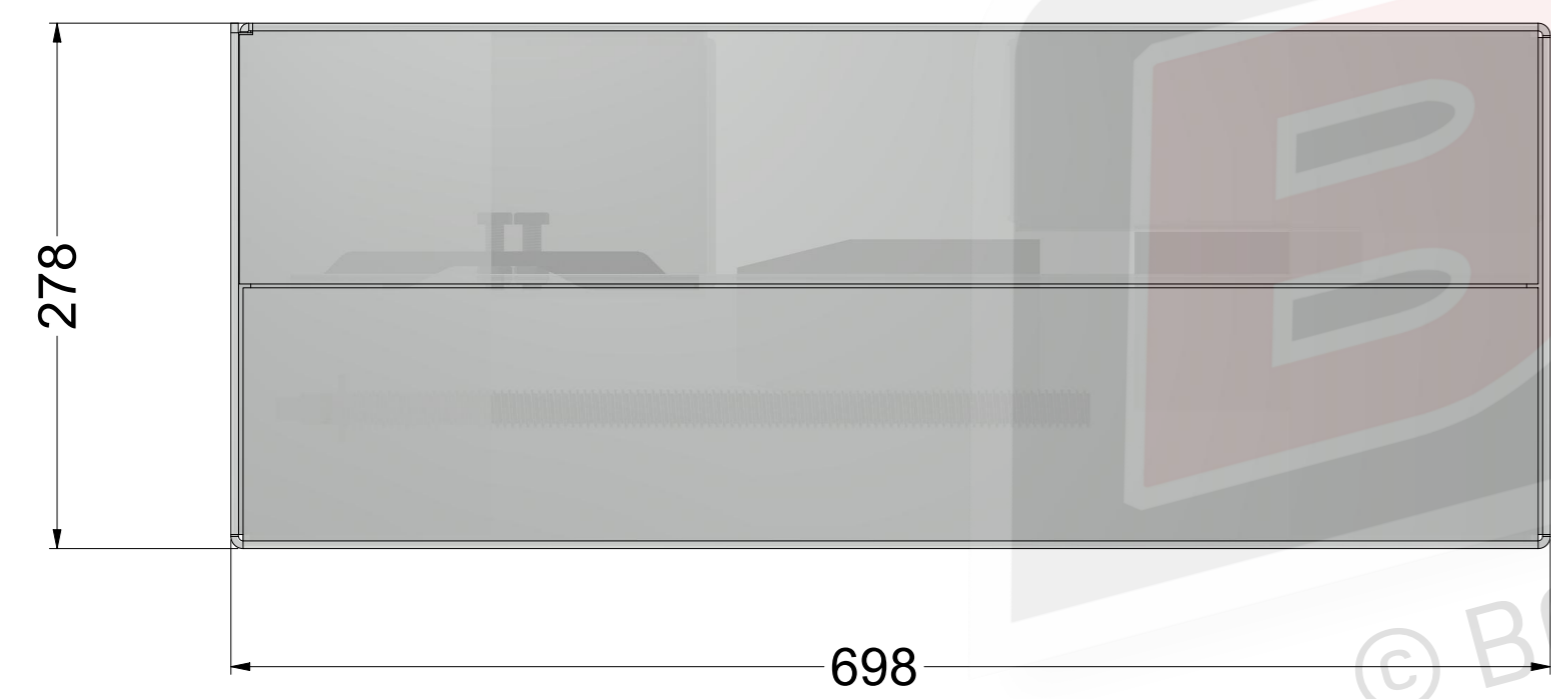
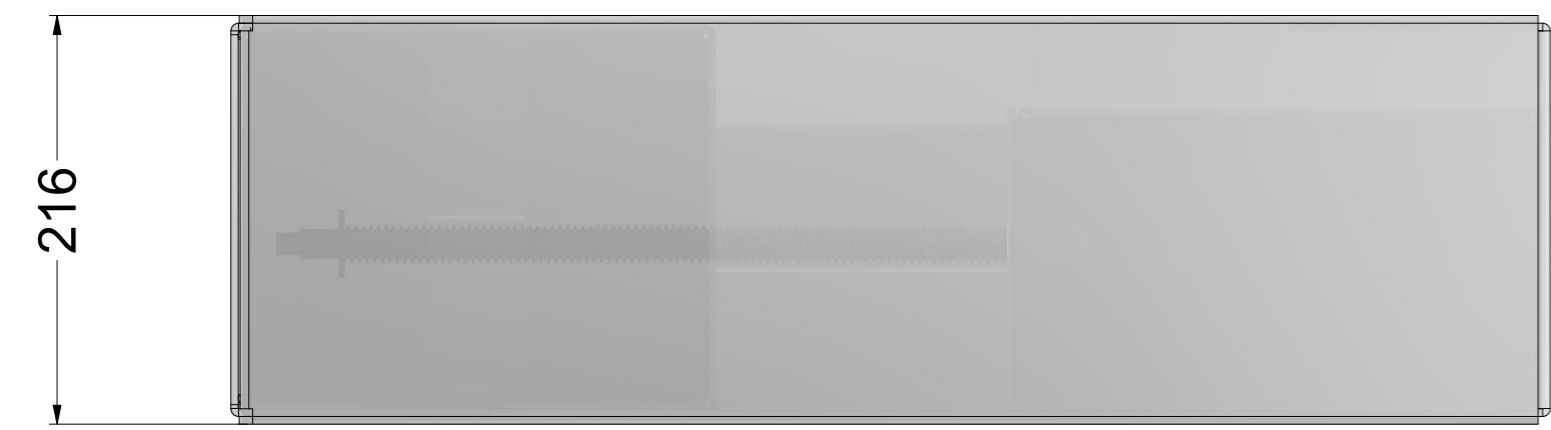
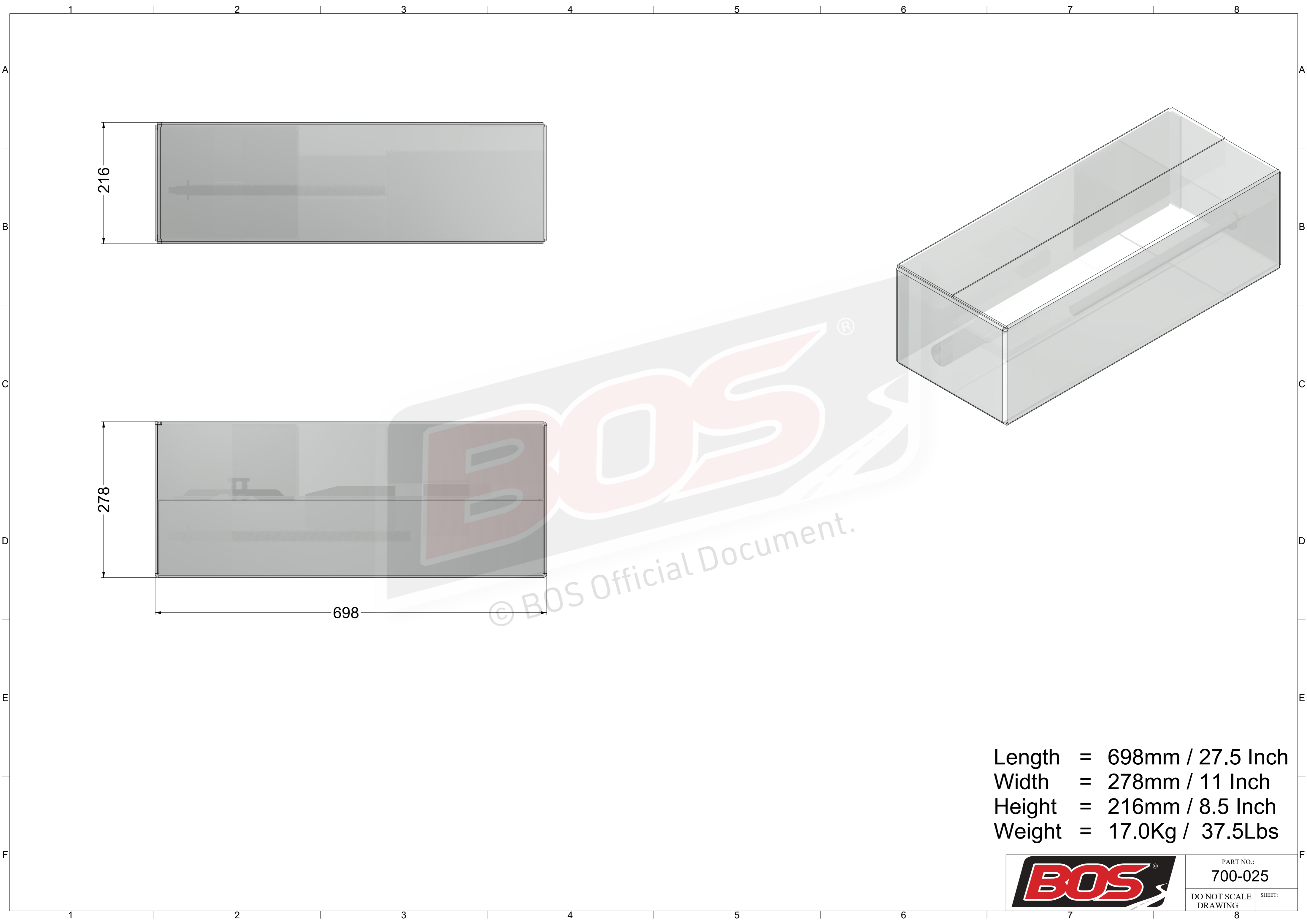
1. Mounting System suits Draw Bar Frames from 75mm up to 150mm.
2. For Draw Bars wider than 75mm (3") across, longer bolts will be required. Please inform when ordering.
3. Clamp Kit and Mounting System only come with Hex Screws. (Security Screws are optional)



Swing Away Bracket Weight: 7.1Kg



PART NO.: SWING AWAY CLAMP	
DO NOT SCALE DRAWING	SHEET:



Length = 698mm / 27.5 Inch
Width = 278mm / 11 Inch
Height = 216mm / 8.5 Inch
Weight = 17.0Kg / 37.5Lbs



PART NO.:
700-025
DO NOT SCALE DRAWING SHEET:
8