

MODEL: 700-025

BLACK OPS™

4 LUG GEARBOX BASE PLATE UNIT 60MM DIAMETER - SWING AWAY BRACKET

- Ideal for camper and work trailers that need a strong swing away unit.
- The 60mmØ Jockey unit is adjustable in swing away bracket to gain extra height if required.
- BOS® Patented Gearbox features a unique 12mm drive and provides effortless operation with a cordless drill or manual handle as a backup.
- Load Capacity of up to 500kg.
- 355mm Extended travel.
- The articulated base plate kit will adjust to uneven ground up to 30° and is great if you have no need for a wheel.
- Unique BOS® Patented PUSH/PULL Handle makes release & rotation easy.
- Will fit Draw Bars (chassis) from 100-150mm (4"-6") High x 50mm (2") Wide.
- 120mm Pipe extension when extra height is needed.
- Optional 8" double offset wheel can be attached.

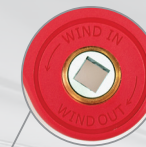
PREMIUM TEXTURED BLACK POWDER COATED CNC Machined outer pipe from heavy walled pipe.

BOS® MOUNTING SYSTEM
Suits 100-150mm frame in height x 50mm wide.

BOS® PATENTED RED PUSH/PULL HANDLE
Unique design that allows you to push or pull from either end of the handle.

GUIDE BUSH
For rigidity of the inner pipe.

BOS® WORLD FIRST ARTICULATED BASE PLATE
Unique ball joint design is great for uneven ground up to 30°.



12MM INPUT (NOT 1/2") & BOS® PATENTED GEARBOX
Allows effortless operation using a drill and the option to use manual handle with ease. Unique size for added security.

GREASE NIPPLE
Provides grease to bearing, thread & gearbox.

WELDED LUGS
For adjustable height.

BOS® HEAVY DUTY SWING AWAY CLAMPING BRACKET
Fold away handle allows easy tightening or loosening to adjust the jockey unit height.

INNER PIPE LOCK
Rebate to lock the inner pipe to prevent unwinding when travelling.

BOS® FIRST TO USE STAINLESS STEEL INNER PIPE 48MM
Reduced down to 42mm 3.5mm wall thickness.



BOS Jockey Wheels & Accessories Pty Ltd.

02 9623 6922 | sales@bos370.com.au | www.bos370.com.au

100 % Australian Family Owned & Operated

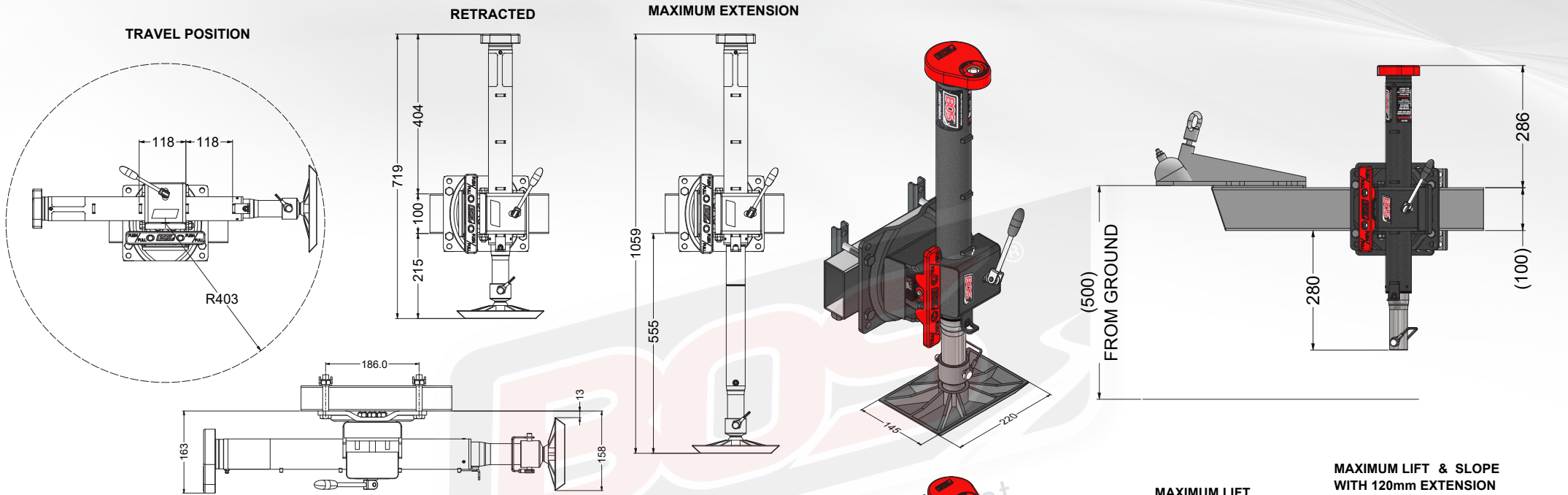


With you all the way!

BLACK OPS™

4 LUG GEARBOX BASE PLATE UNIT 60MM DIAMETER - SWING AWAY BRACKET

MODEL: **700-025**



KIT INCLUDES

020-003

Handle 12mm (HDFR) Nylon



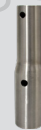
010-062

Swivel Base Plate (HDFR) Nylon



020-026

Stainless Steel Extension 120mm



020-037

BOS® Jockey Weather Cover



020-018

X2 Quick Release Pin



010-036

BONUS BOS® Stubby Bottle Cooler



370-STRAP

BOS® Travel Strap



020-007

12mm Drill Drive Piece



010-035

BONUS BOS® Stubby Can Cooler

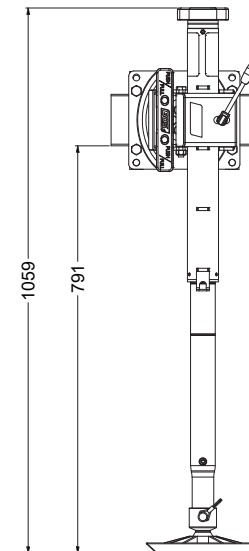


350-001

Swingaway Bracket 60mm will fit chassis (Draw bar) from 100-150mm high x 50mm wide with U-Bracket and mounting bolts m12 x 85



MAXIMUM LIFT



MAXIMUM LIFT & SLOPE WITH 120mm EXTENSION

