

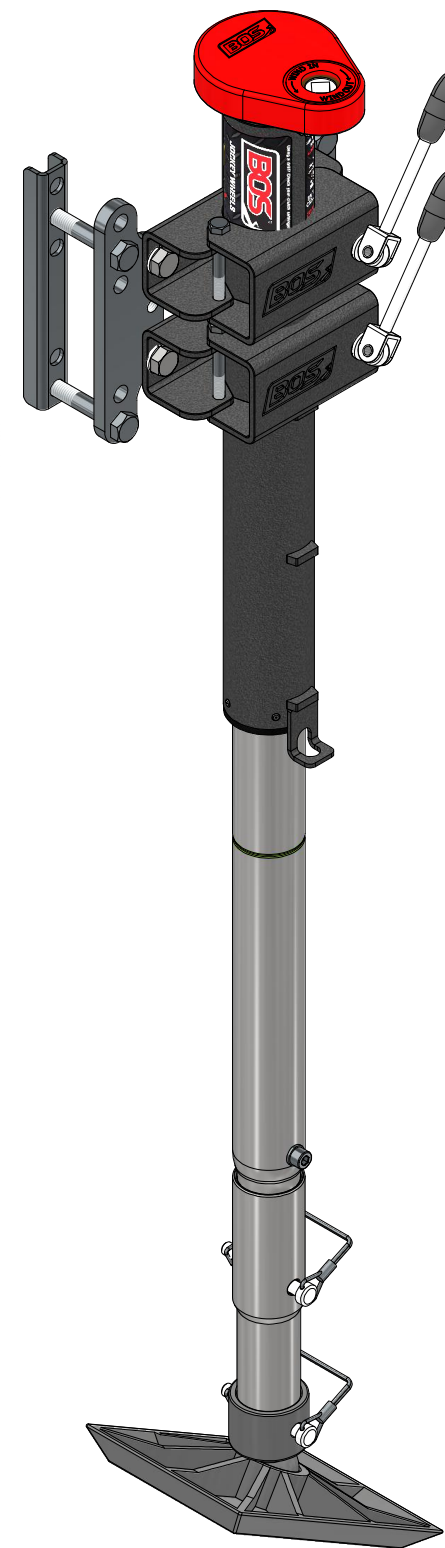
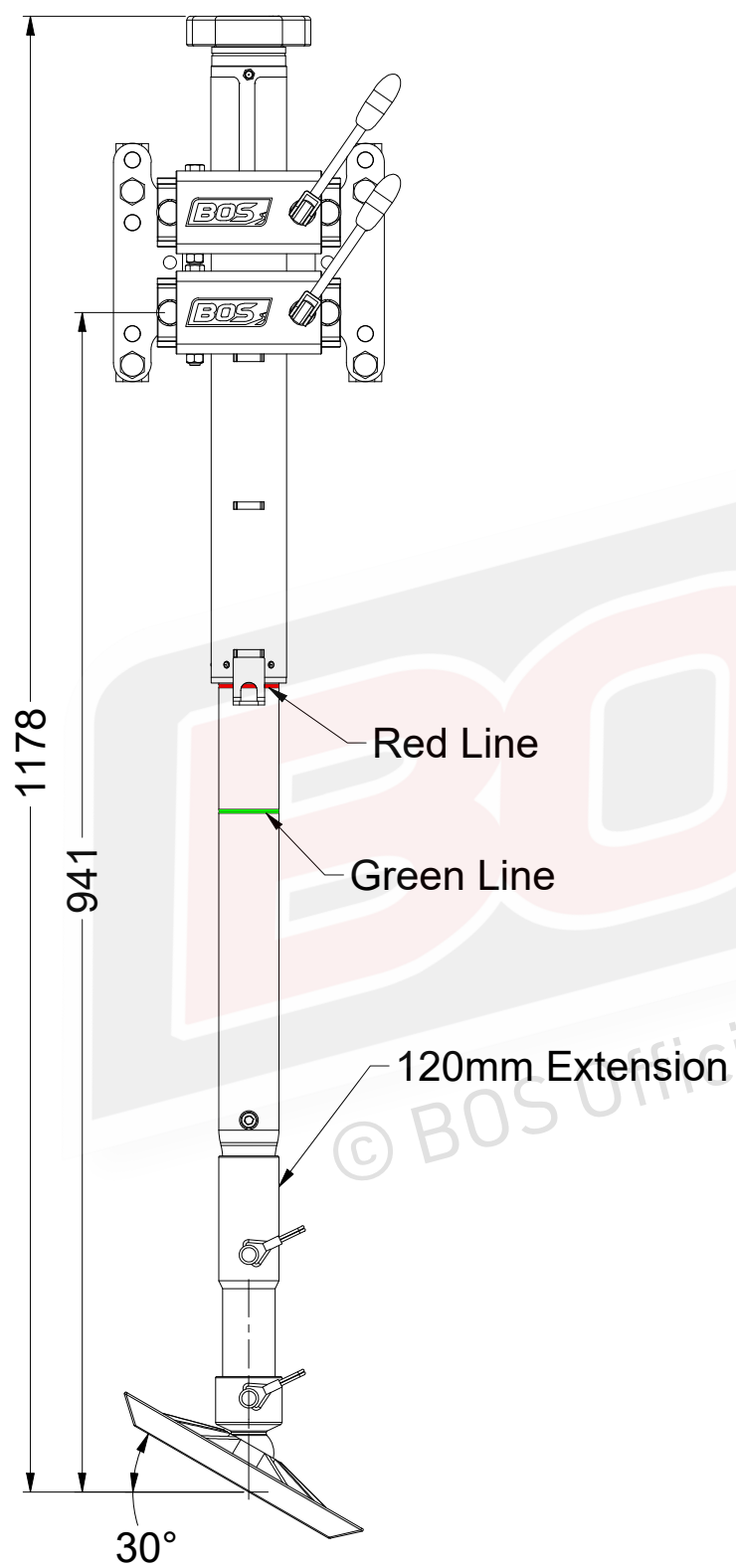
Unit with Double Clamp Weight: 13Kg

**BOS 4 Lug Black OPS Gearbox with Double Clamp**  
 Maximum Lift Details  
 Dimensions with Base Plate



PART NO.:	
700-020	
DO NOT SCALE DRAWING	SHEET:

Maximum Extension with 120mm Extension & Base Plate



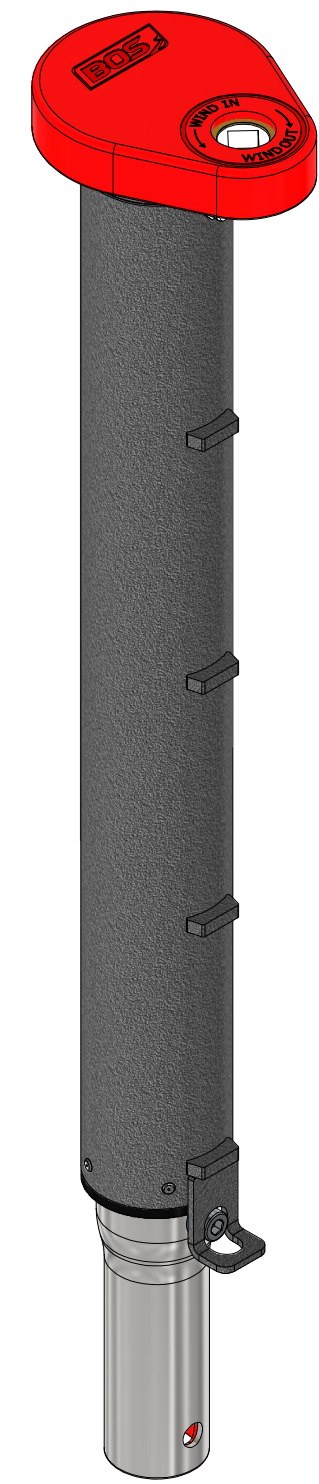
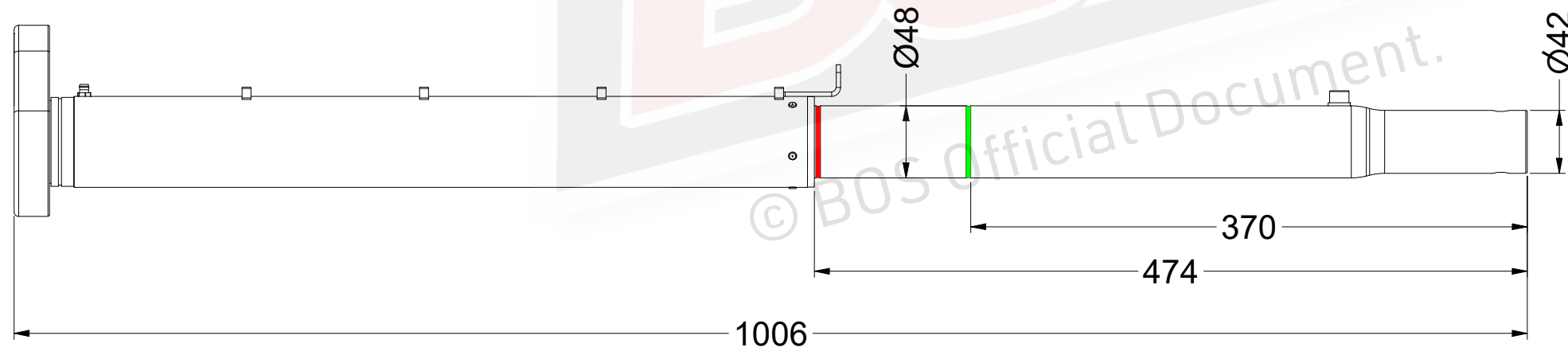
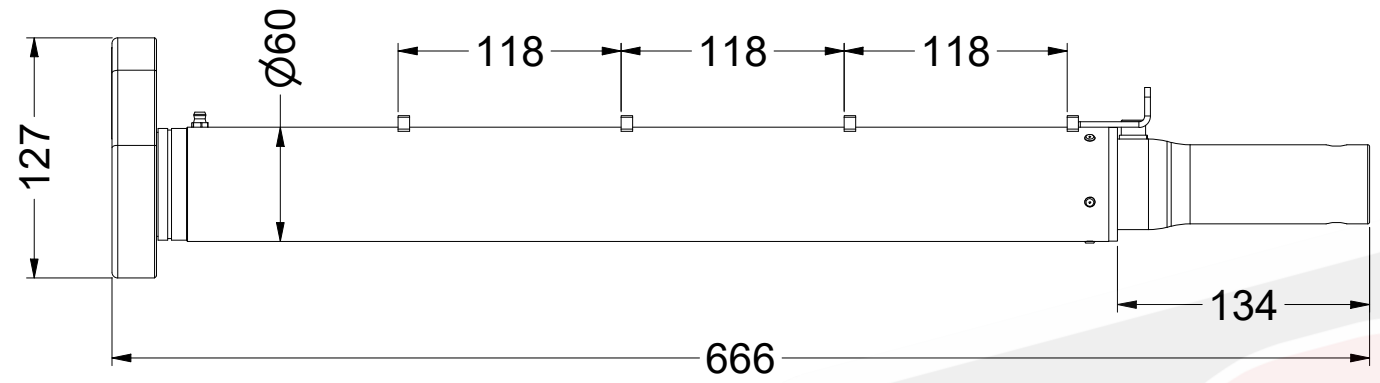
**BOS 4 Lug Black OPS Gearbox with Double Clamp**  
 Maximum Extension with 120mm Extension with Base Plate



PART NO.:  
700-020

DO NOT SCALE  
DRAWING

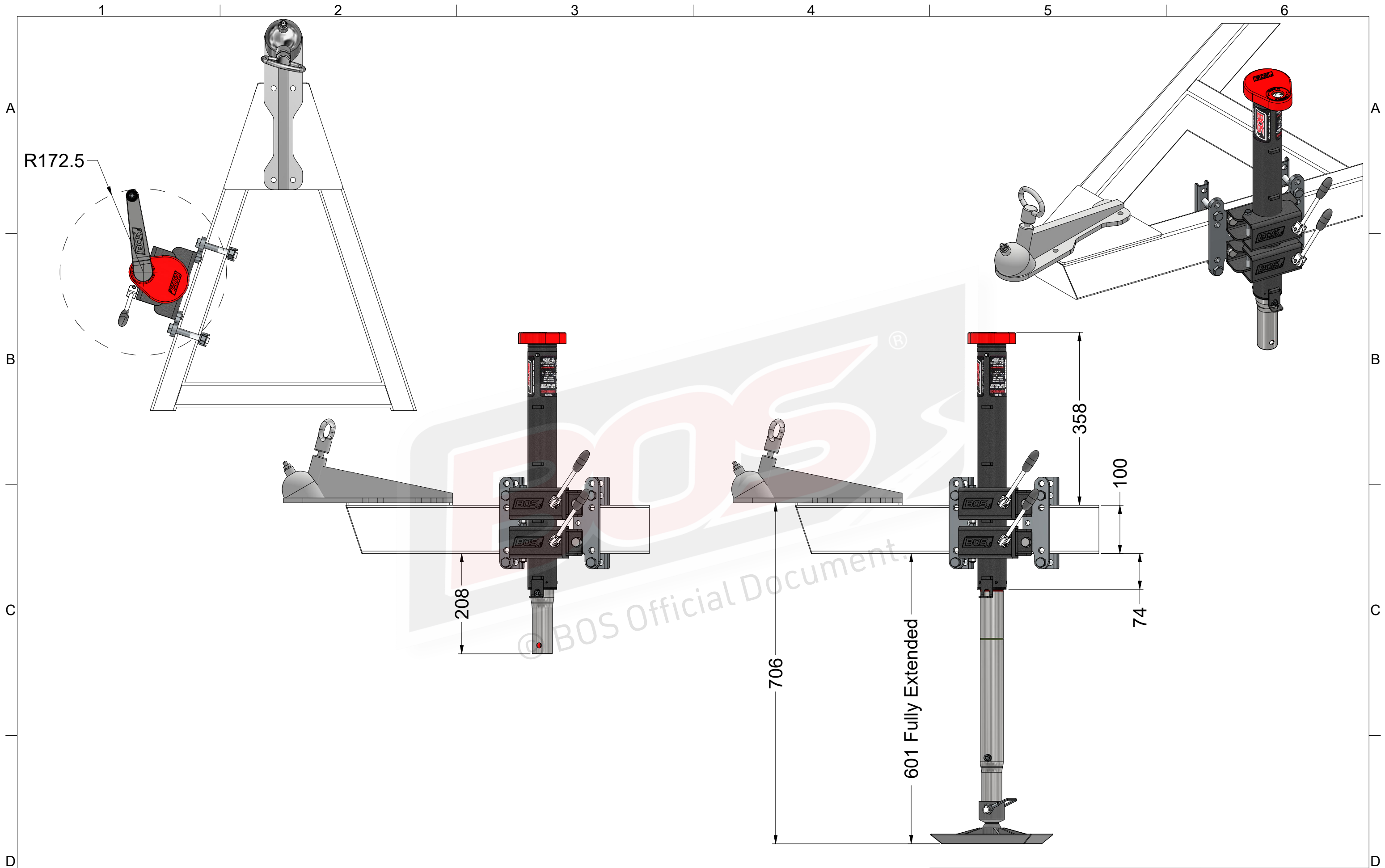
SHEET:



Travel: 340mm  
 Weight of the Unit: 7Kg



PART NO.:	
700-002	
DO NOT SCALE DRAWING	SHEET:

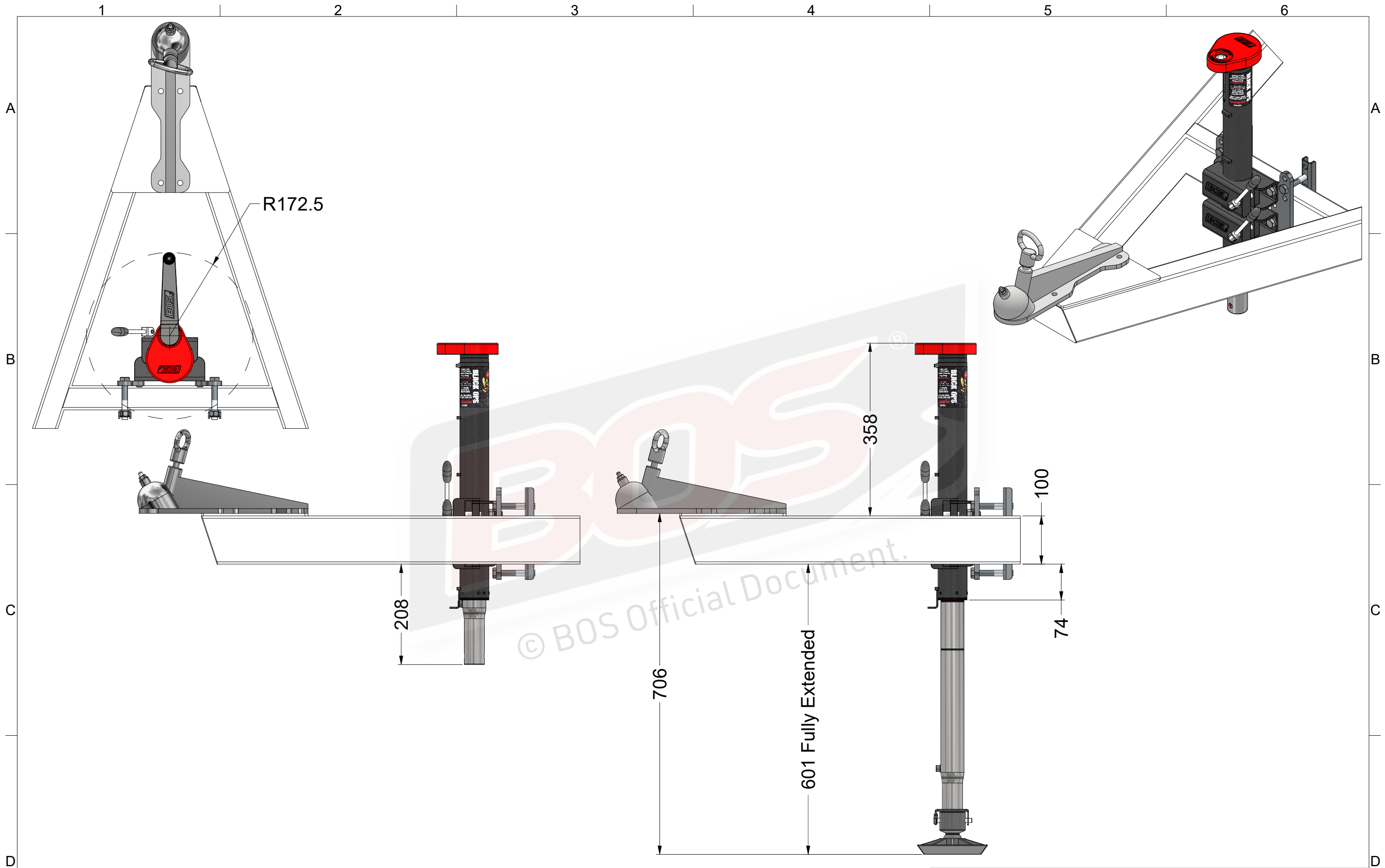


Unit Weight with all BOS Items: 13Kg

**Note:** Customer to check all the clearance, this is a guide only.



PART NO.:	
700-020	
DO NOT SCALE DRAWING	SHEET:



R172.5

208

706

601 Fully Extended

358

100

74

**Note:** Customer to check all the clearance, this is a guide only.



PART NO.:  
700-020

DO NOT SCALE  
DRAWING

SHEET:

**NOTE:**

1. Mounting System suits Draw Bar Frames from 75mm up to 150mm.
2. For Draw Bars wider than 75mm (3") across, longer bolts will be required. Please inform when ordering.
3. Clamp Kit and Mounting Kit only come with Hex Screws. (Security Screws are optional)

A

B

C

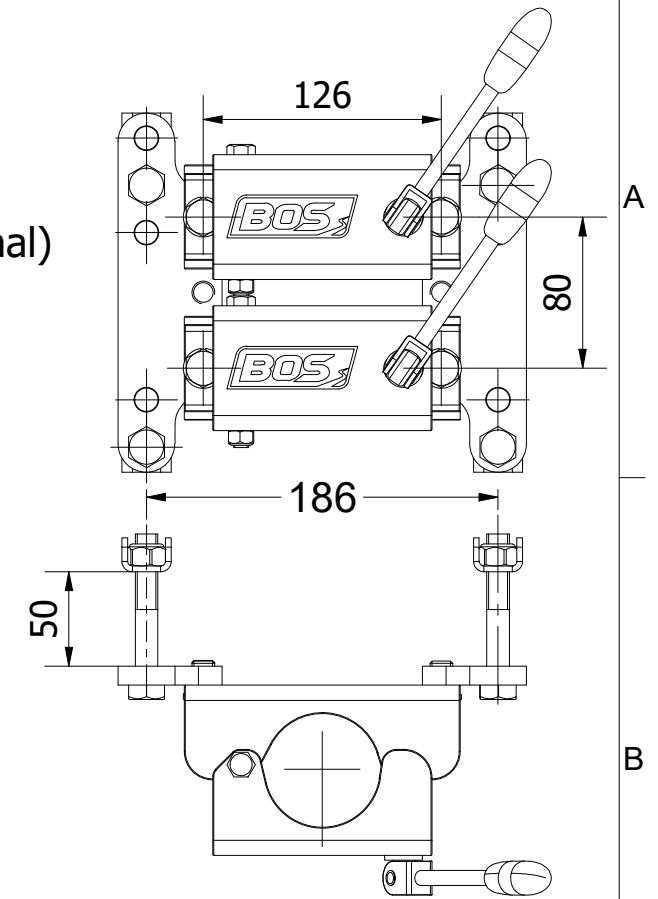
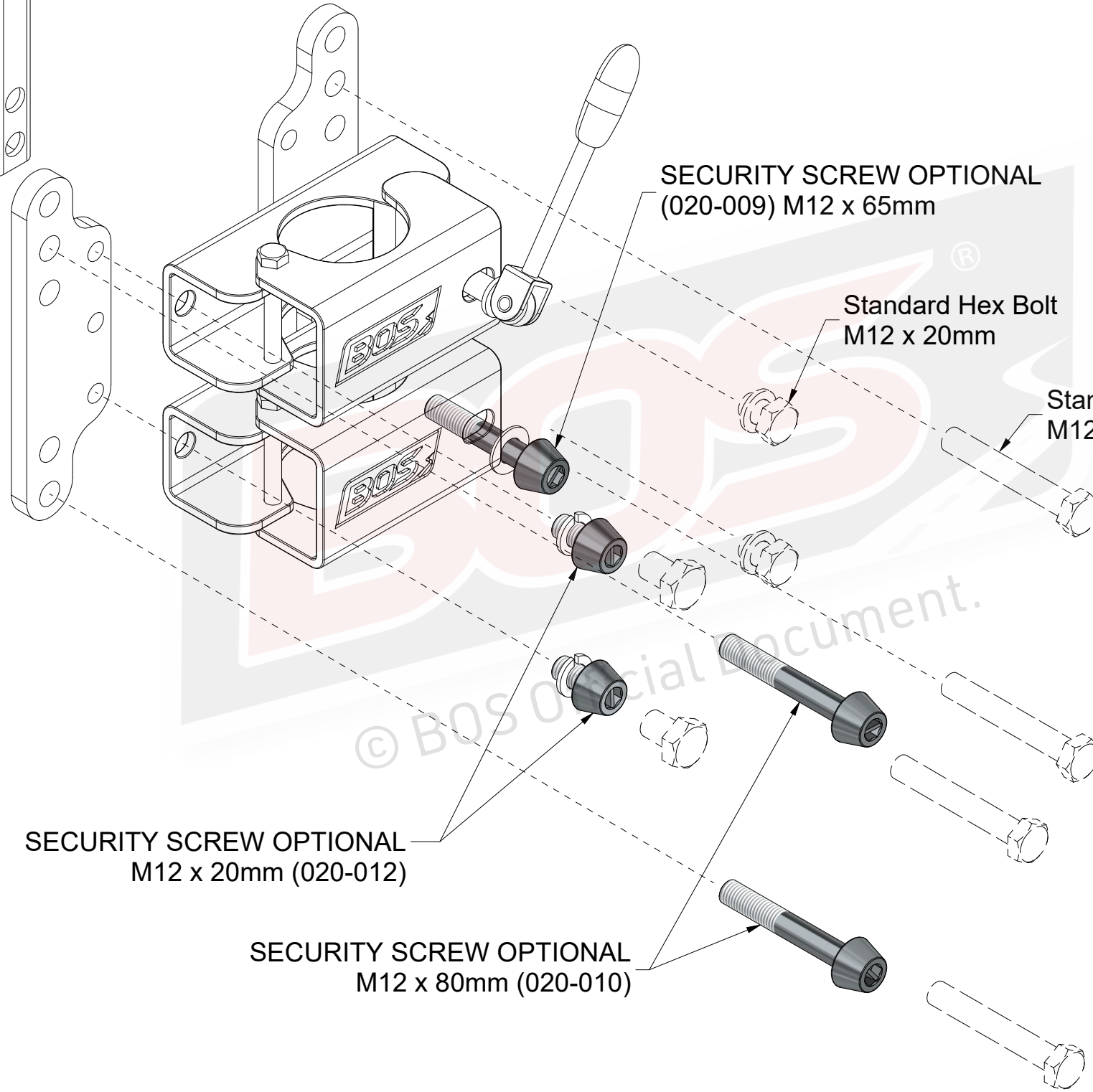
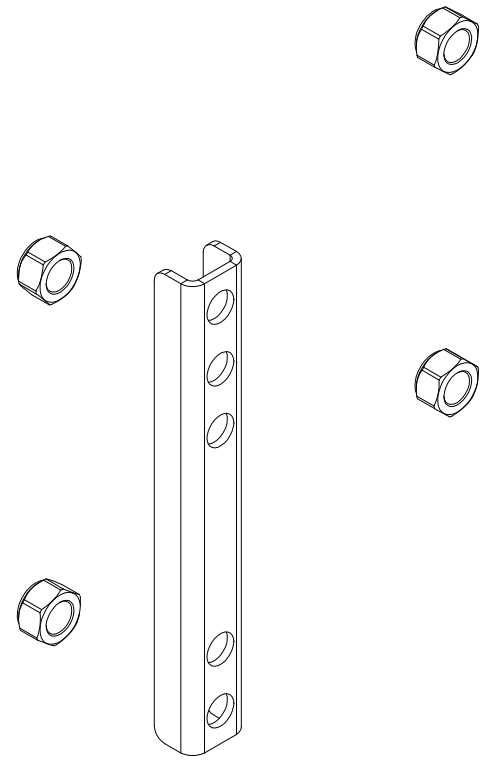
D

A

B

C

D



Clamp Weight: 3.4Kg  
Mounting Plate Kit: 1.9Kg



PART NO.:  
**60mm CLAMP**

DO NOT SCALE DRAWING SHEET:

1

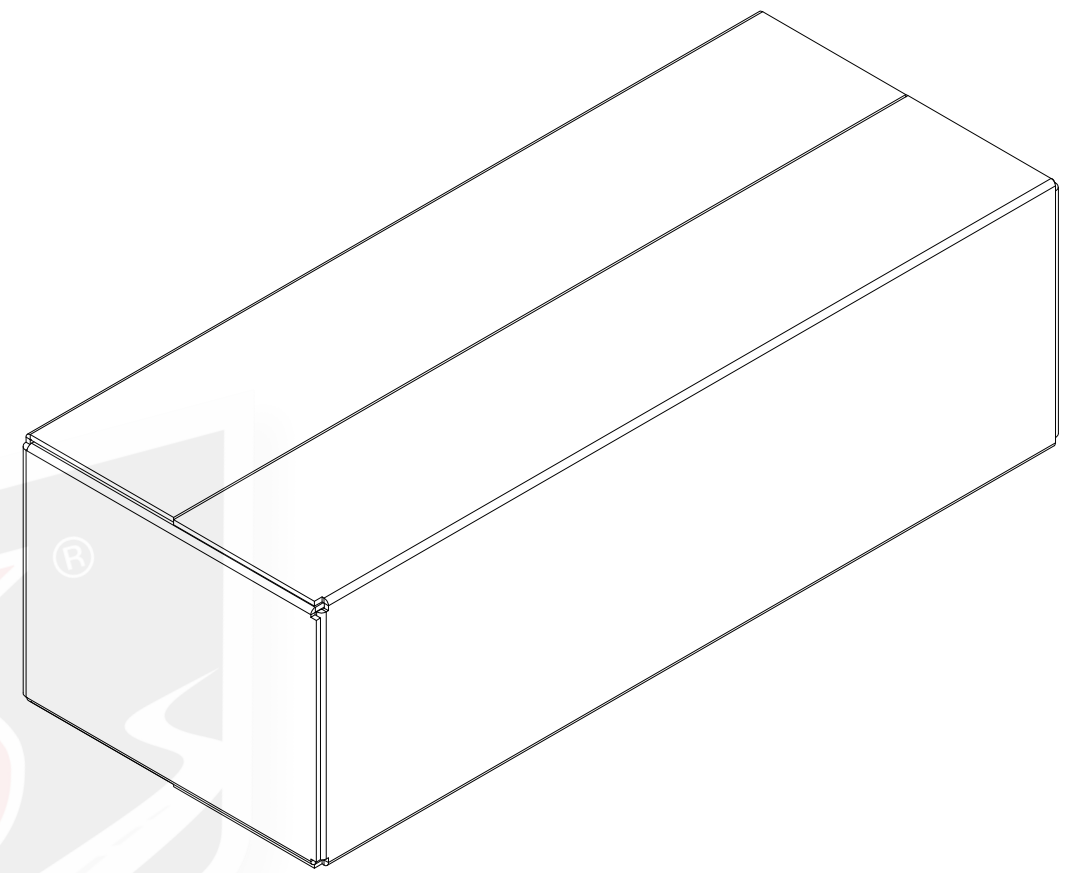
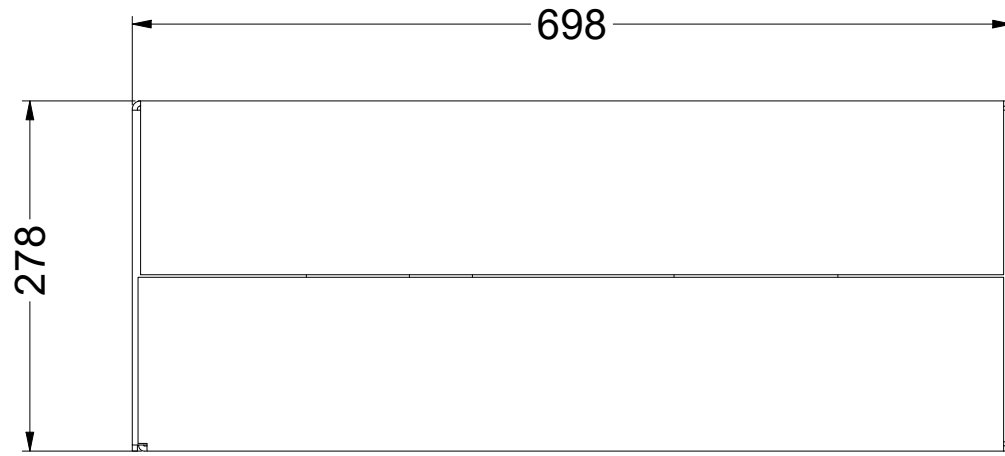
2

3

4

5

6



© BOS Official Document.

Length = 698mm / 27.5 Inch  
Width = 278mm / 11 Inch  
Height = 216mm / 8.5 Inch  
Weight = 15.0Kg / 33.1Lbs



PART NO.: 700-020	
DO NOT SCALE DRAWING	SHEET: