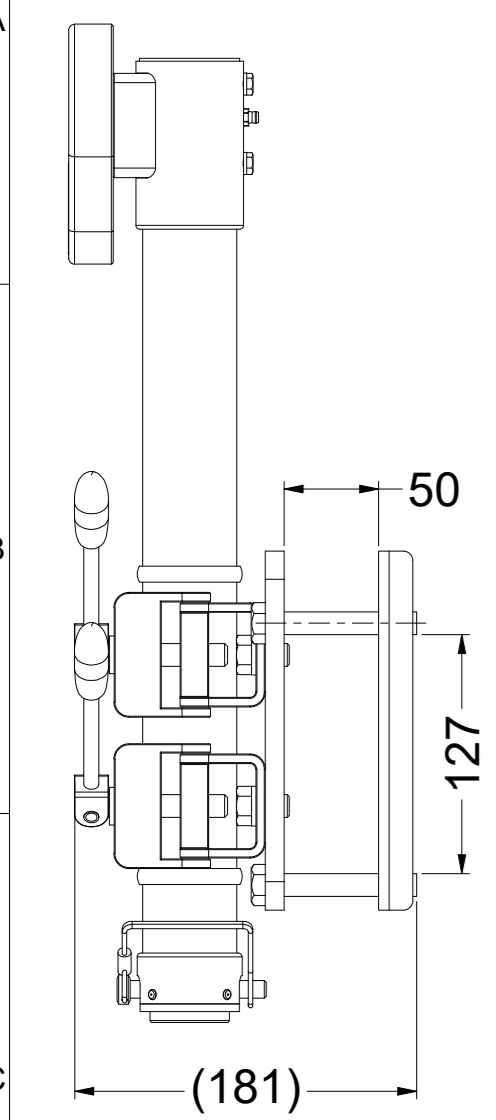
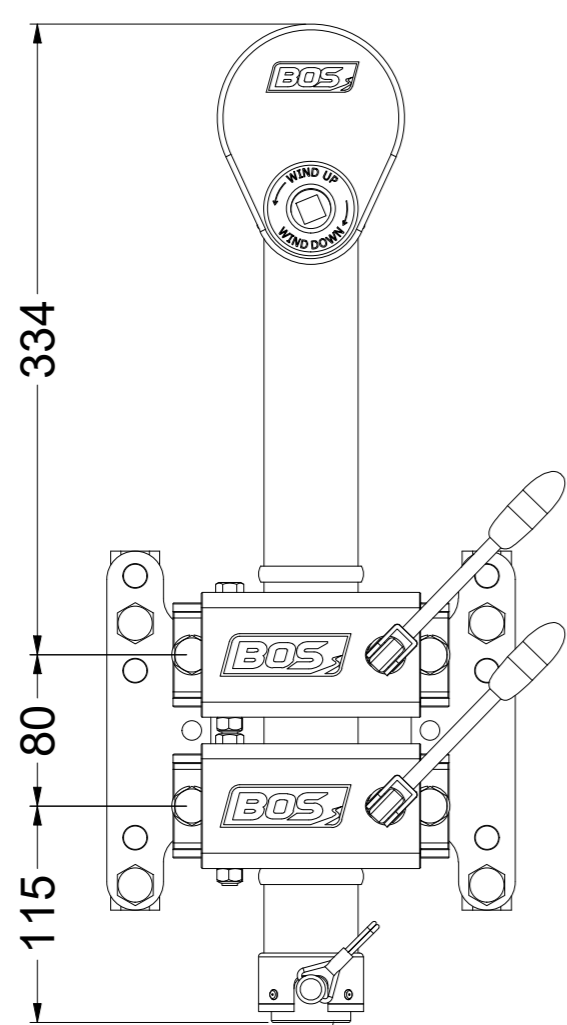


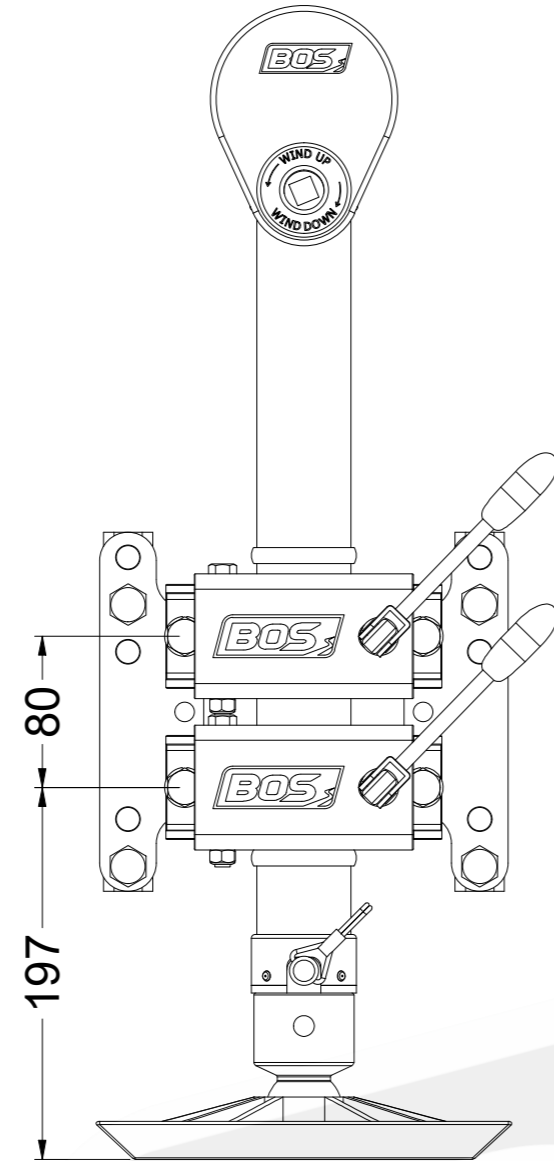
Side View



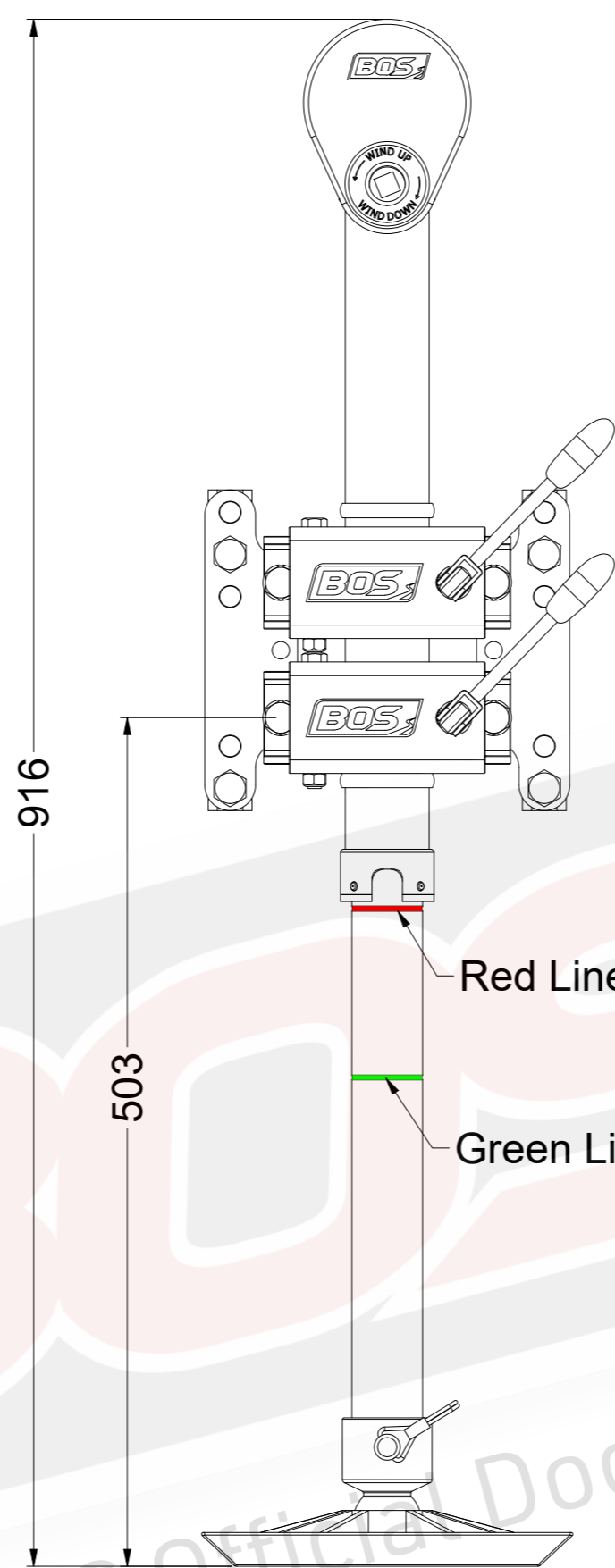
Travel Position without Base Plate



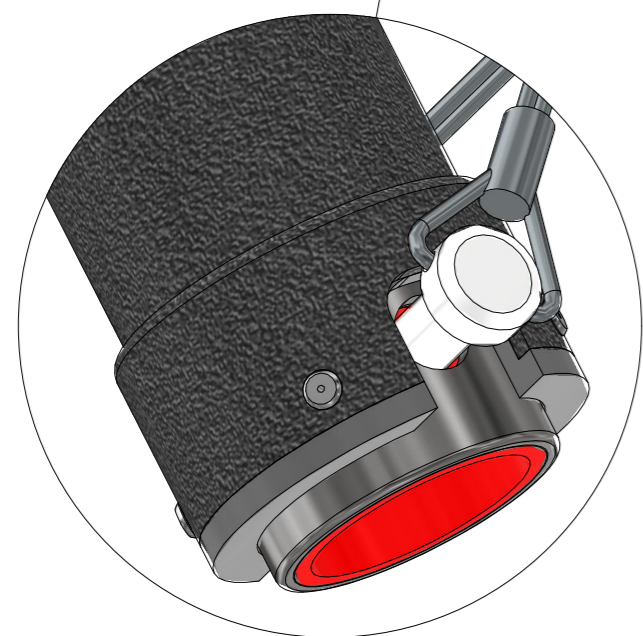
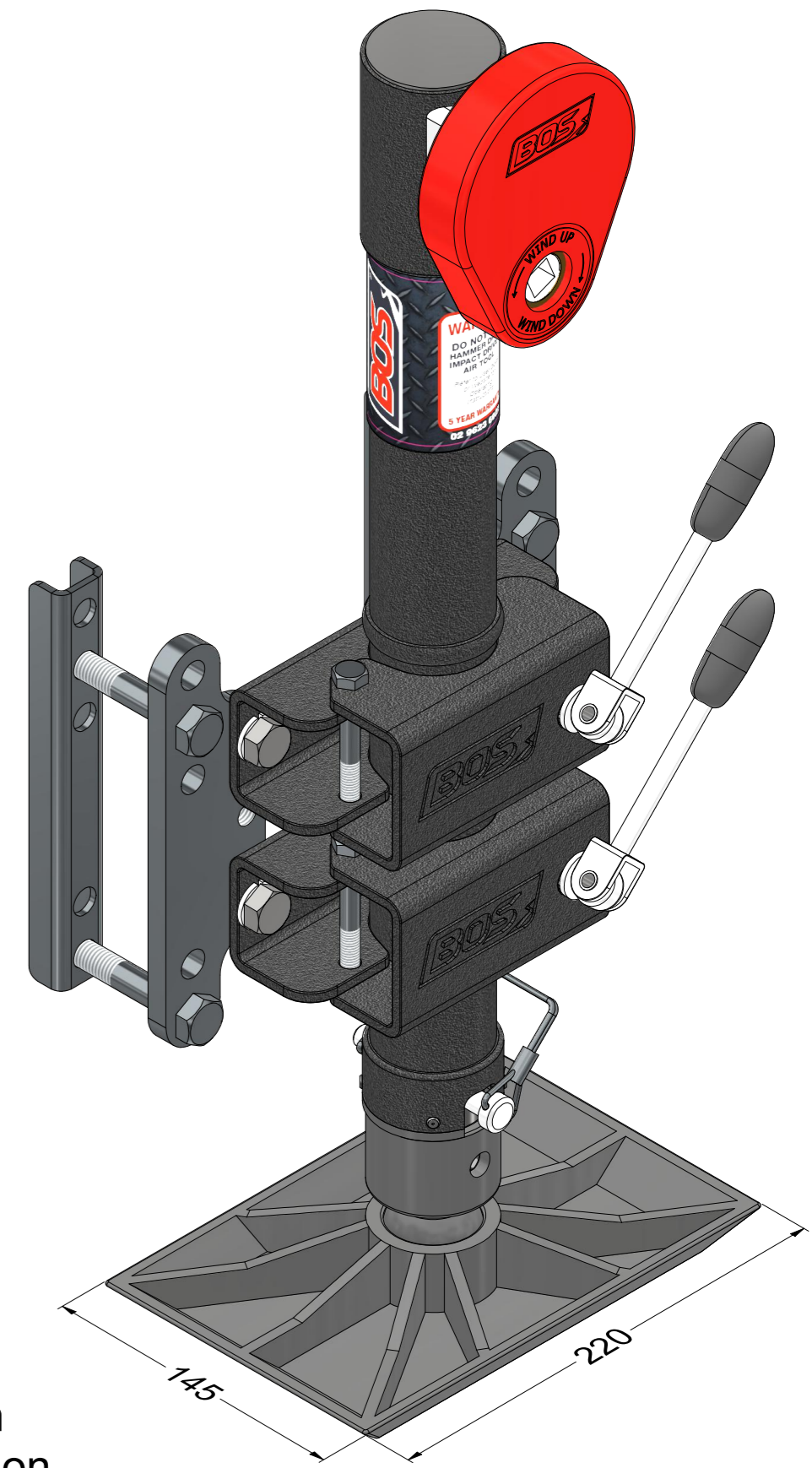
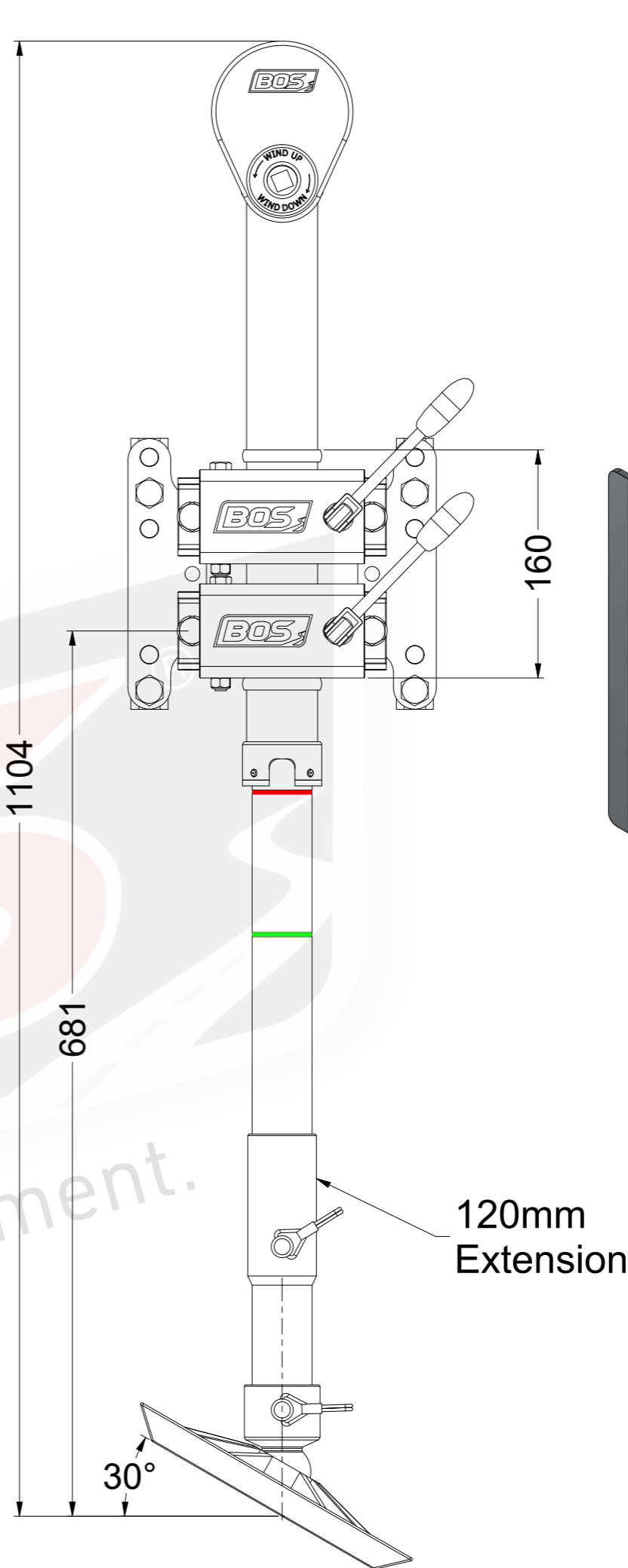
Retracted with Base Plate



Maximum Extension with Base Plate



Maximum Extension with 120mm Extension & Base Plate



Fully retracted with Lynch Pin to leave on while travelling

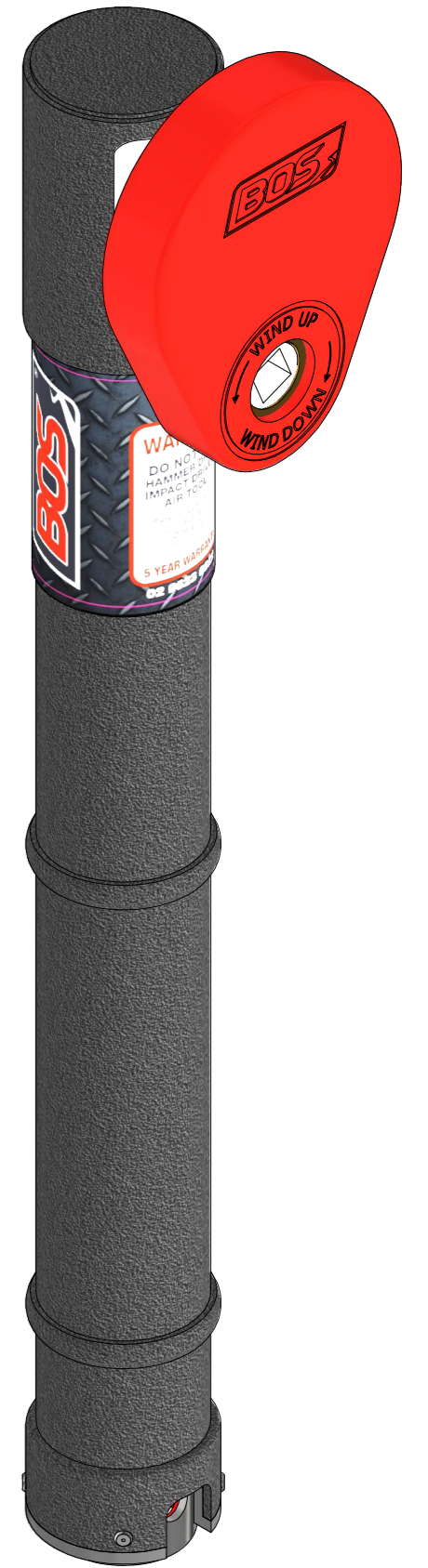
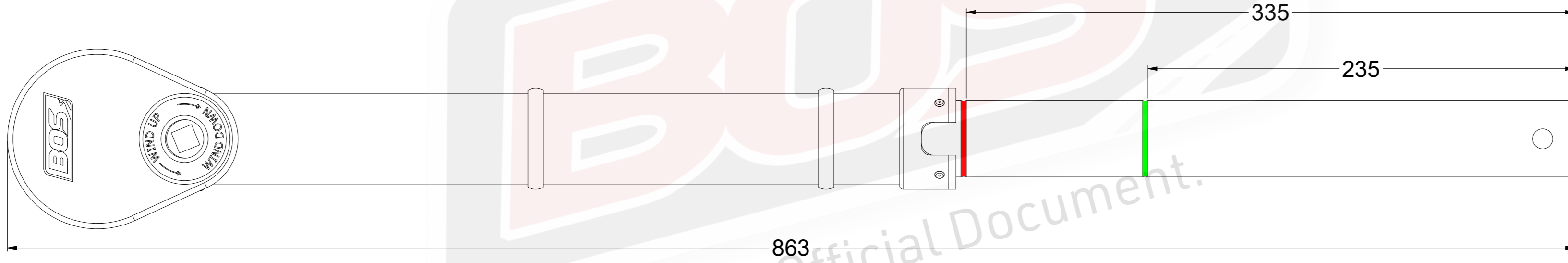
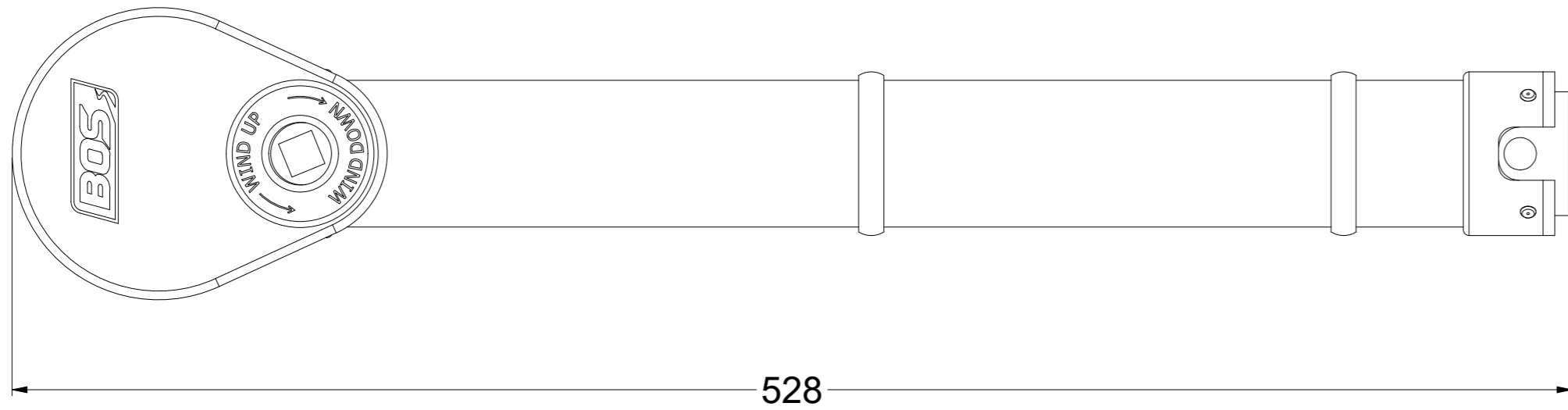
BOS Side Winder Jockey Unit and Base Plate with Double Clamp



PART NO.: 572-035

DO NOT SCALE DRAWING SHEET:

© BOS Official Document.



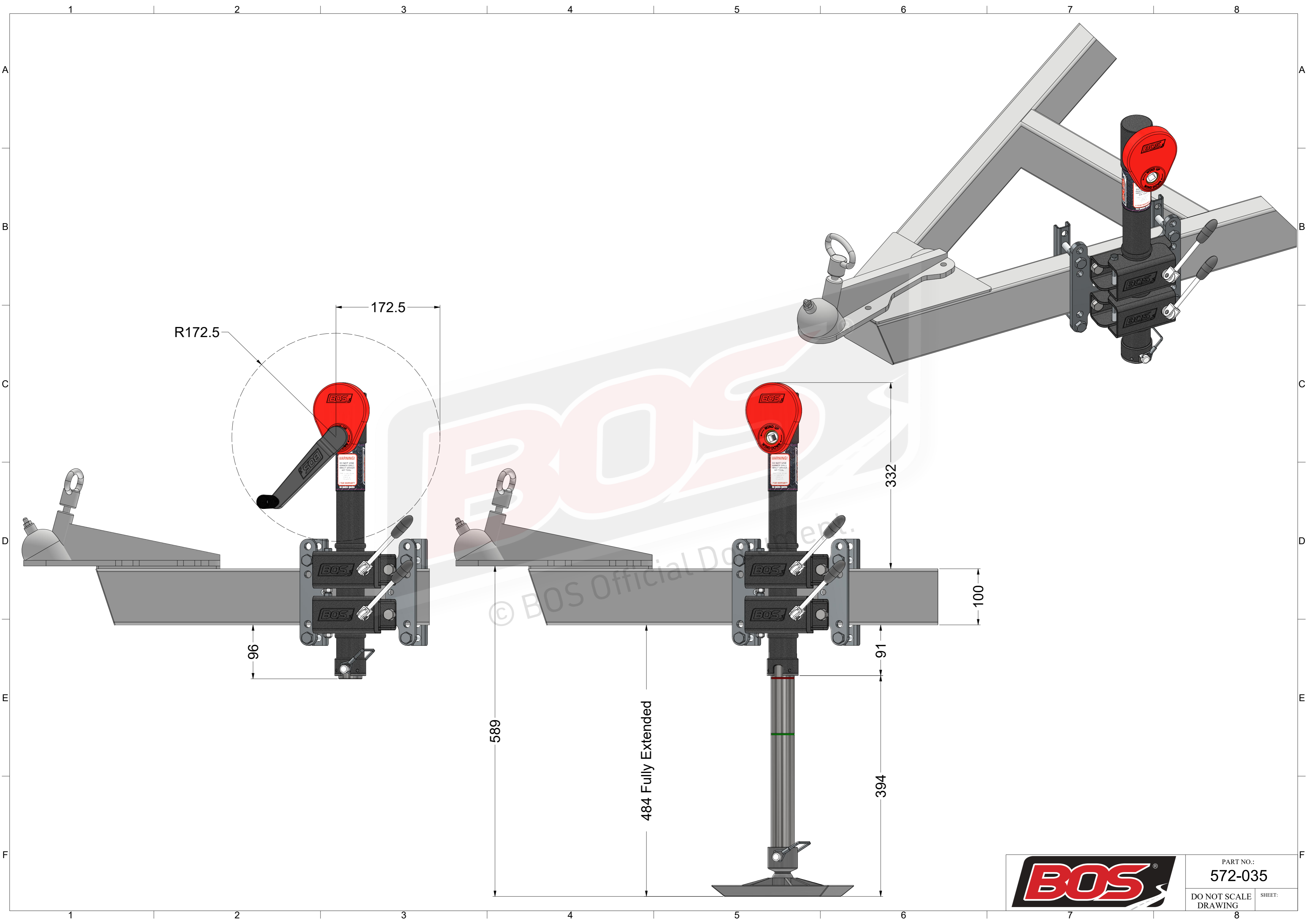
Travel: 330mm
Weight of the Unit: 5Kg



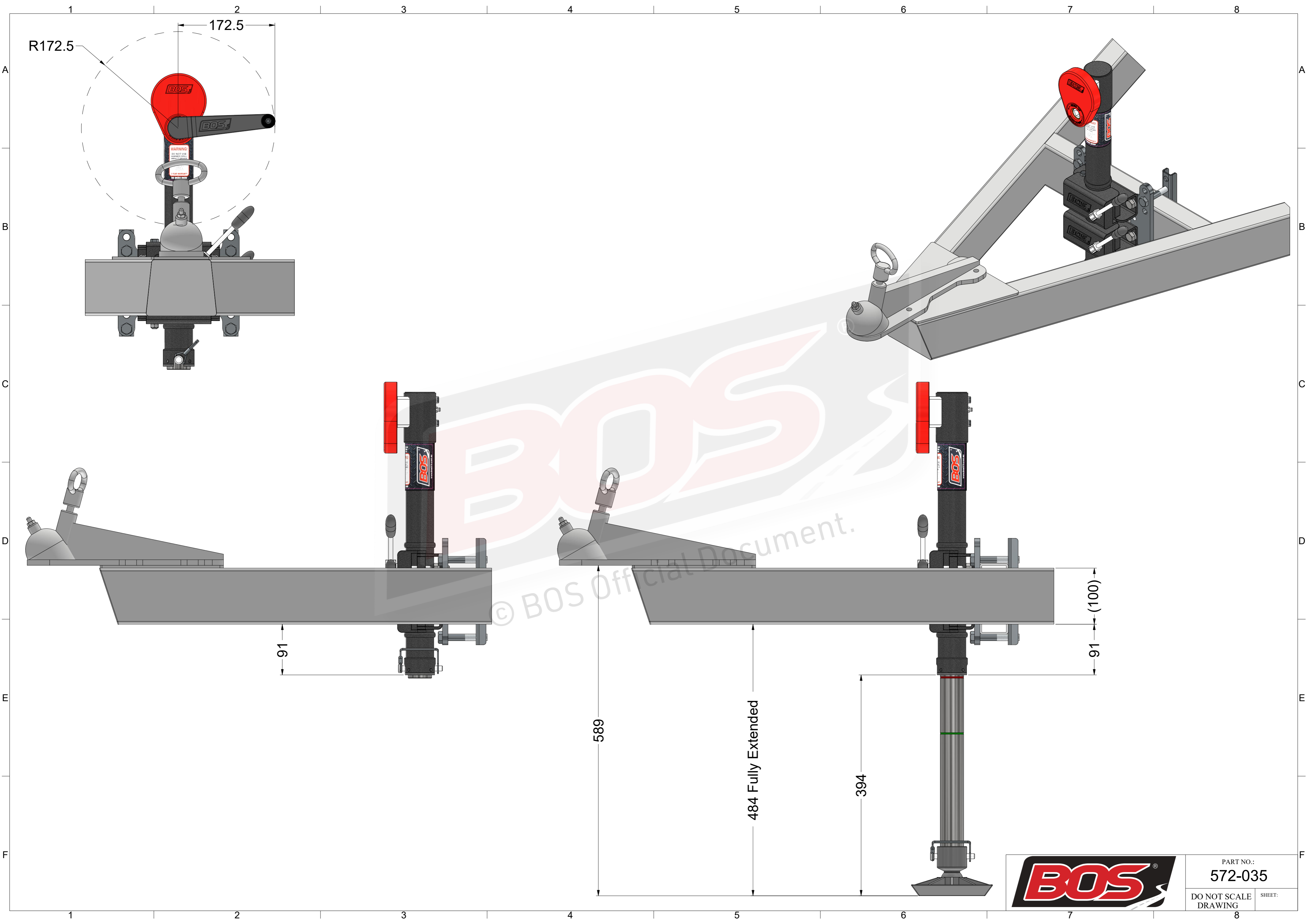
PART NO.:
572-035

DO NOT SCALE DRAWING SHEET:

© BOS Official Document.



PART NO.:
572-035
 DO NOT SCALE DRAWING SHEET:



BOS
© BOS Official Document.

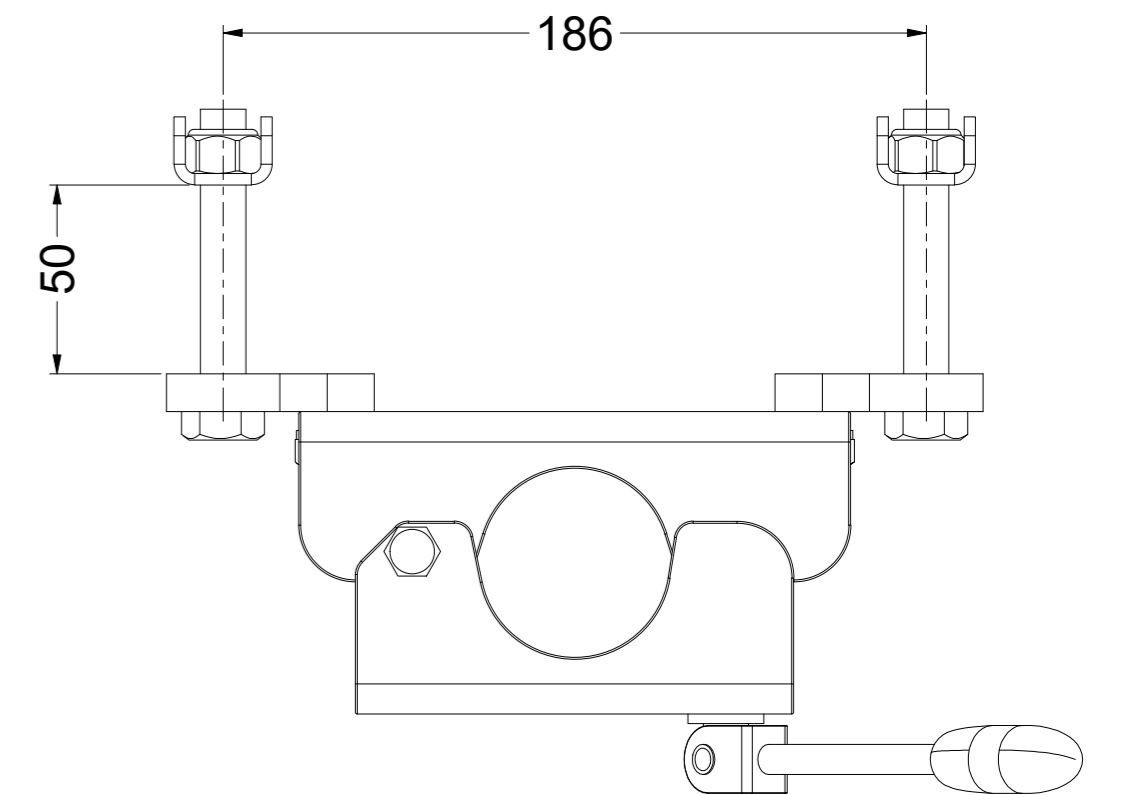
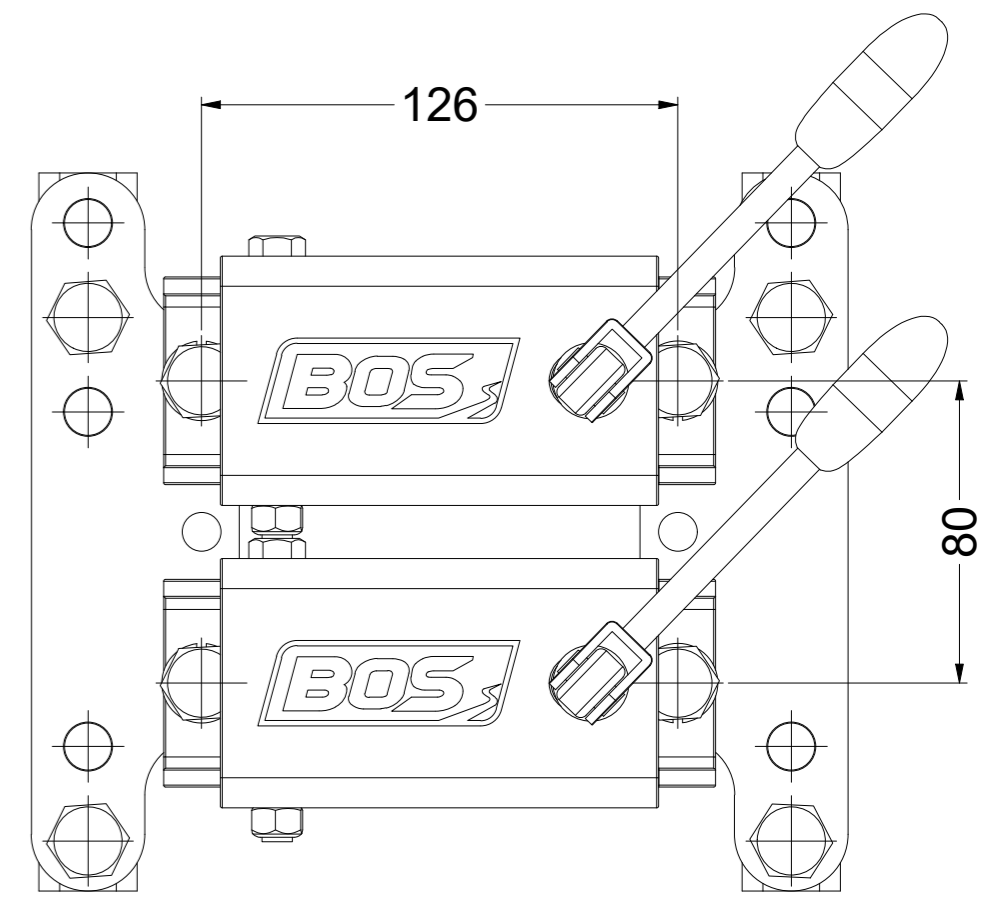
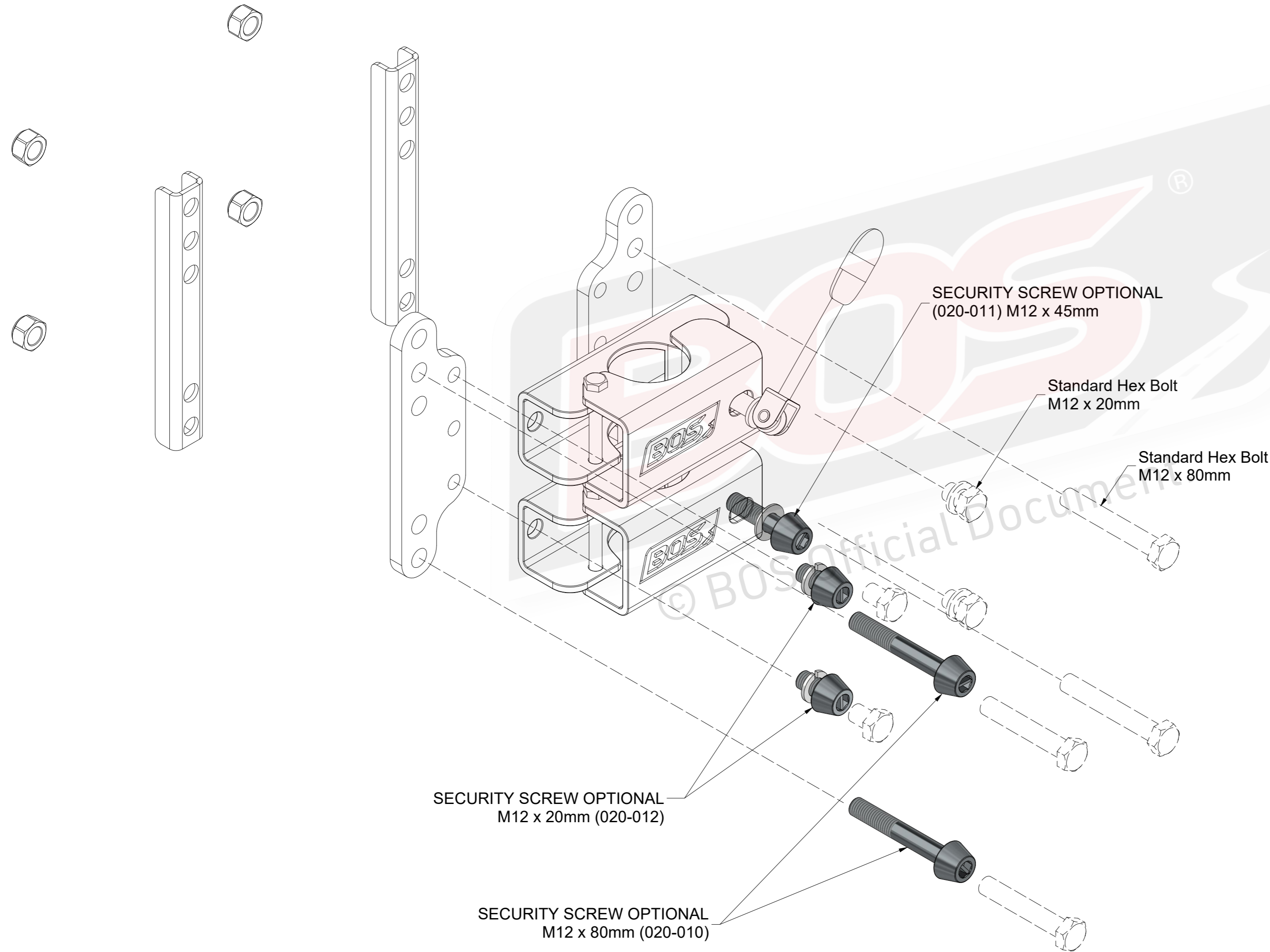


PART NO.:
572-035

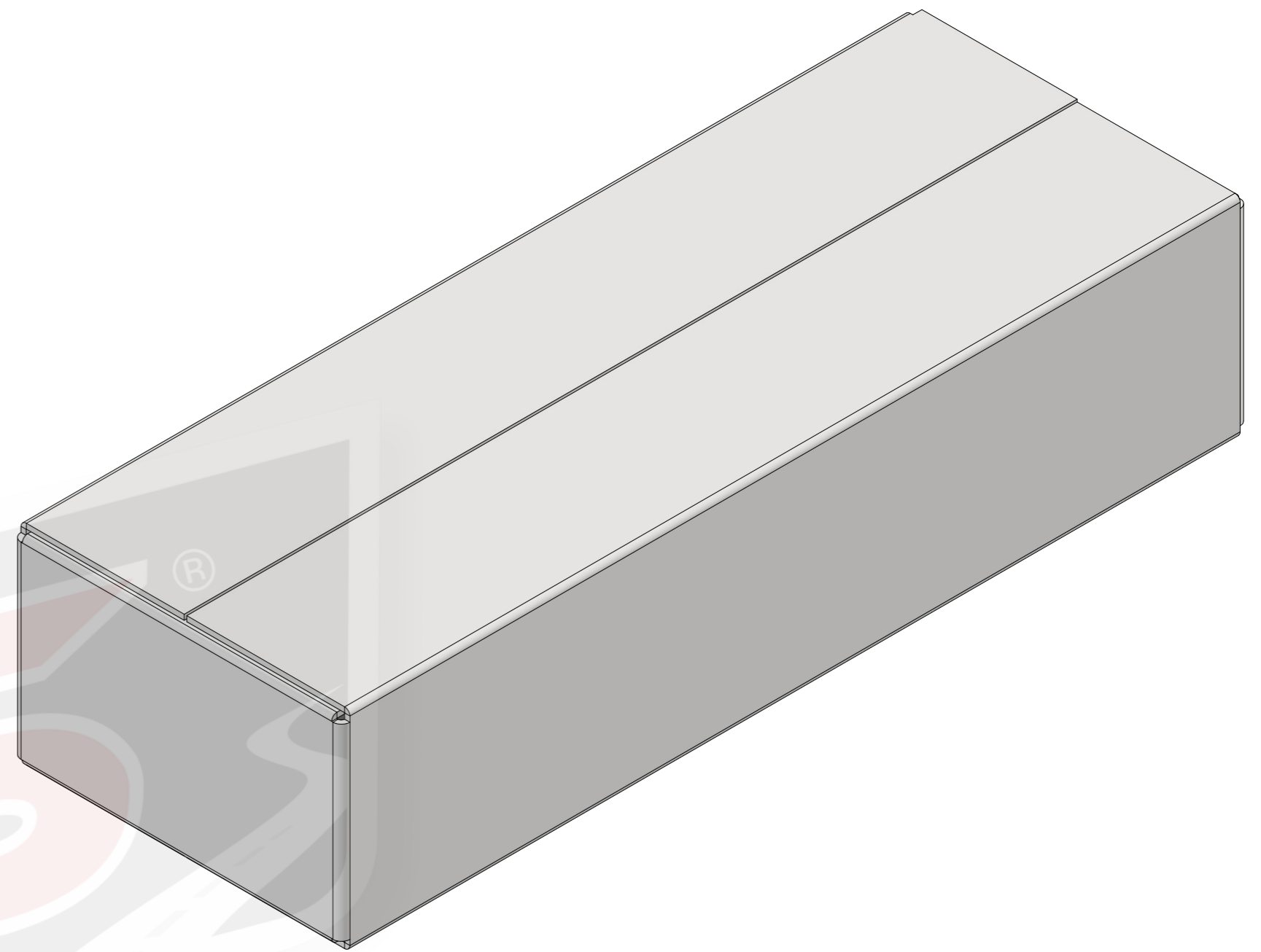
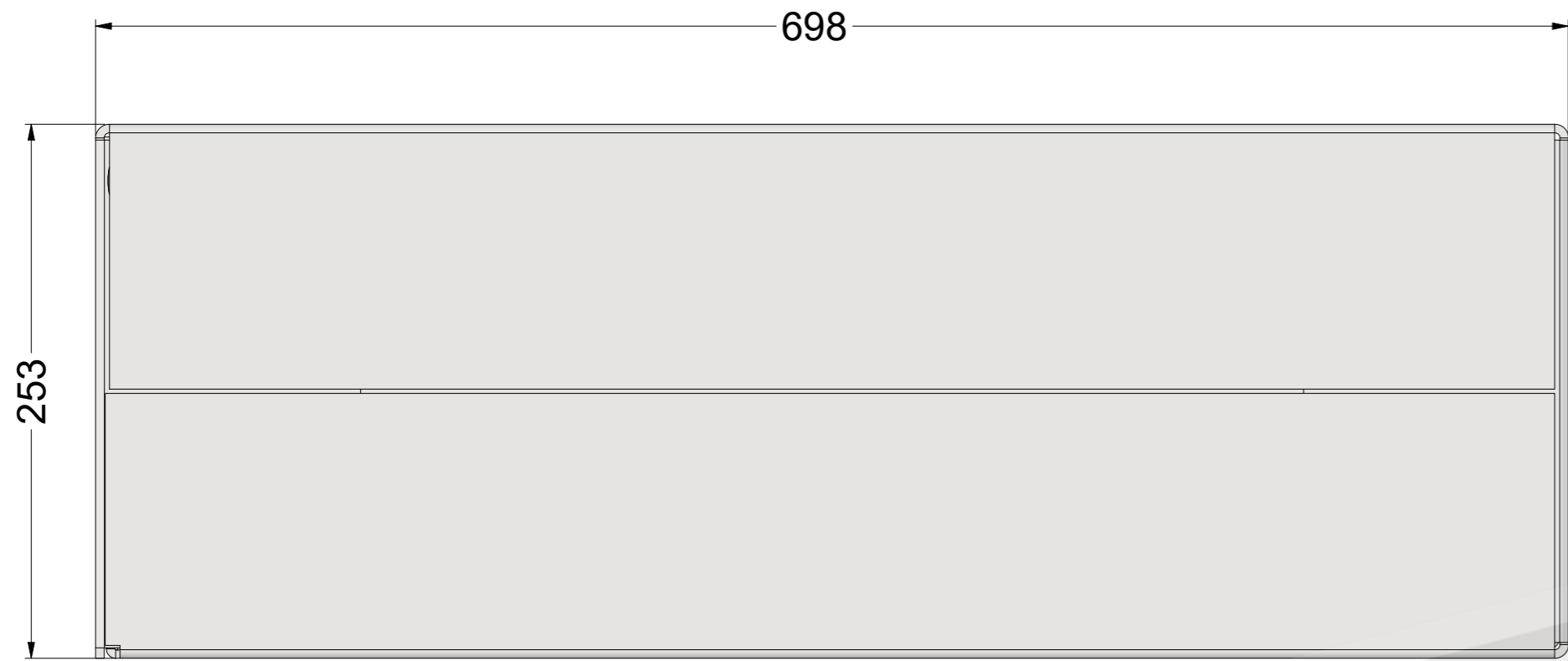
DO NOT SCALE DRAWING SHEET:

NOTE:

1. Mounting System suits Draw Bar Frames from 75mm up to 150mm.
2. For Draw Bar wider than 75mm (3") across will need longer bolts. Please inform when ordering.
3. Clamp Kit and Mounting System only come with Hex Screws. (Security Screws are optional)



PART NO.:	
50mm CLAMP	
DO NOT SCALE DRAWING	SHEET:



Length = 608mm / 24 Inch
Width = 253mm / 10 Inch
Height = 161mm / 6.5 Inch
Weight = 13.3Kg / 29.35Lbs



PART NO.: 572-035	
DO NOT SCALE DRAWING	SHEET: 8