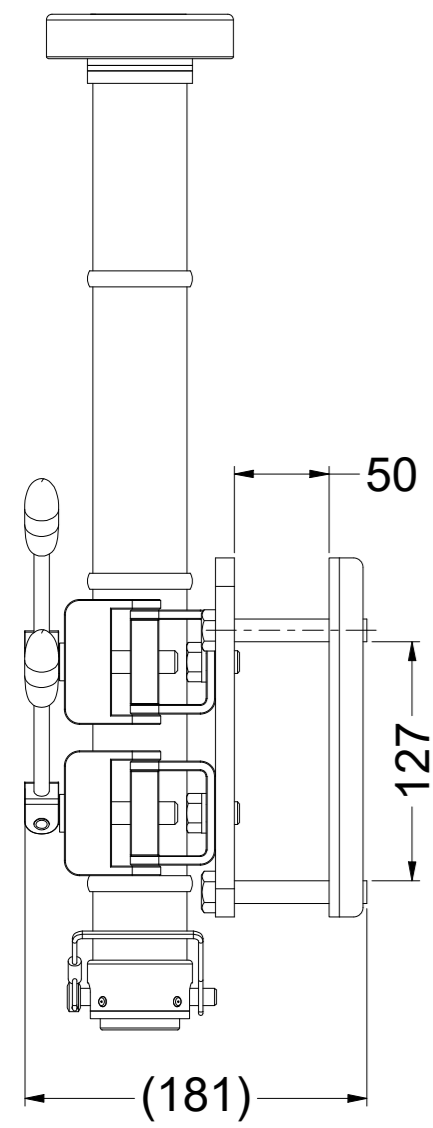
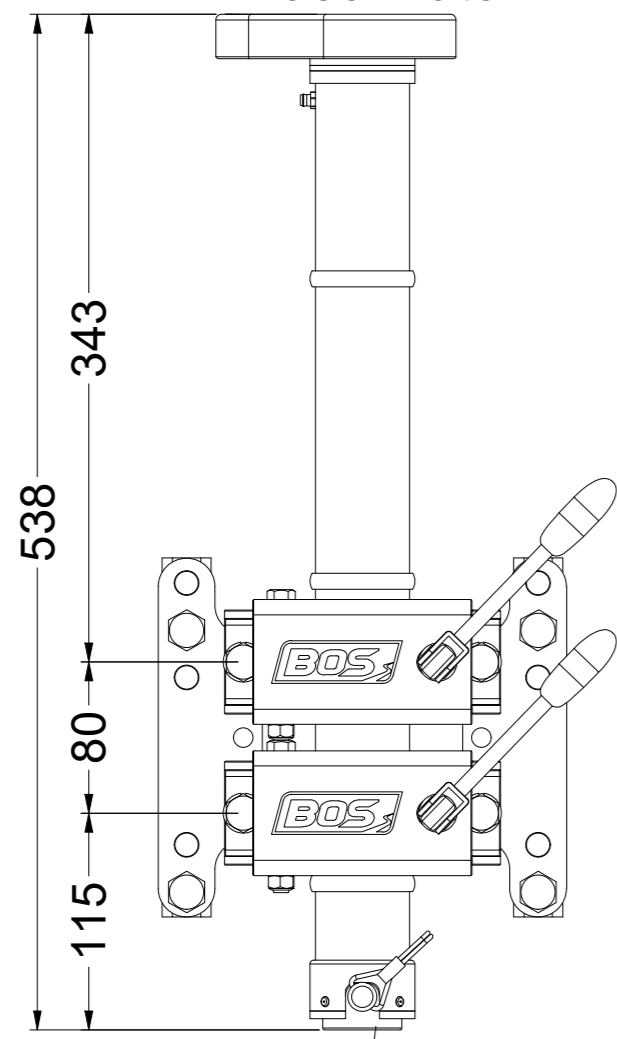


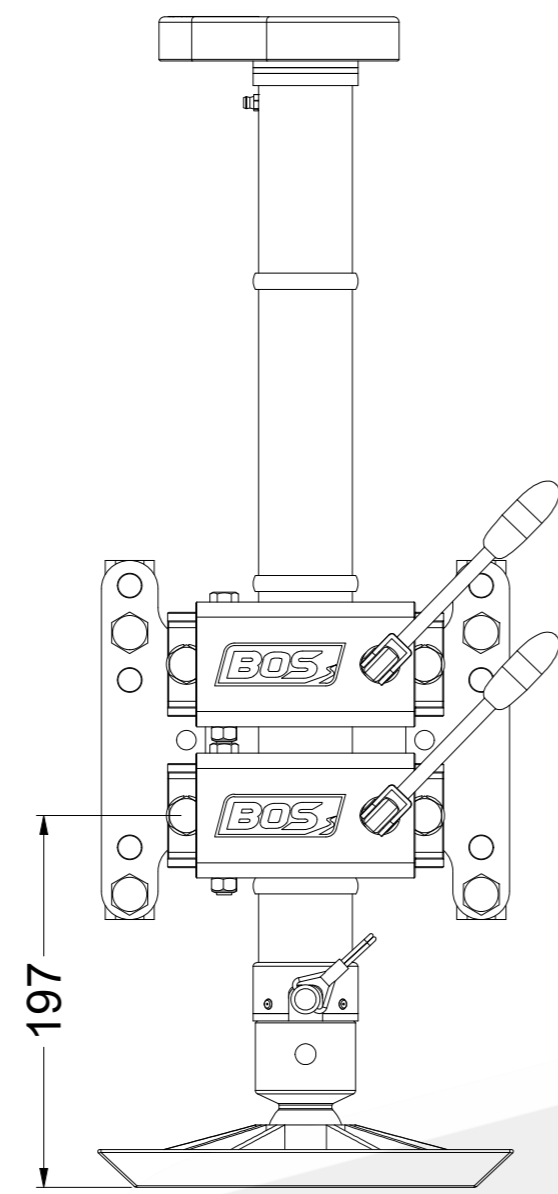
Side View



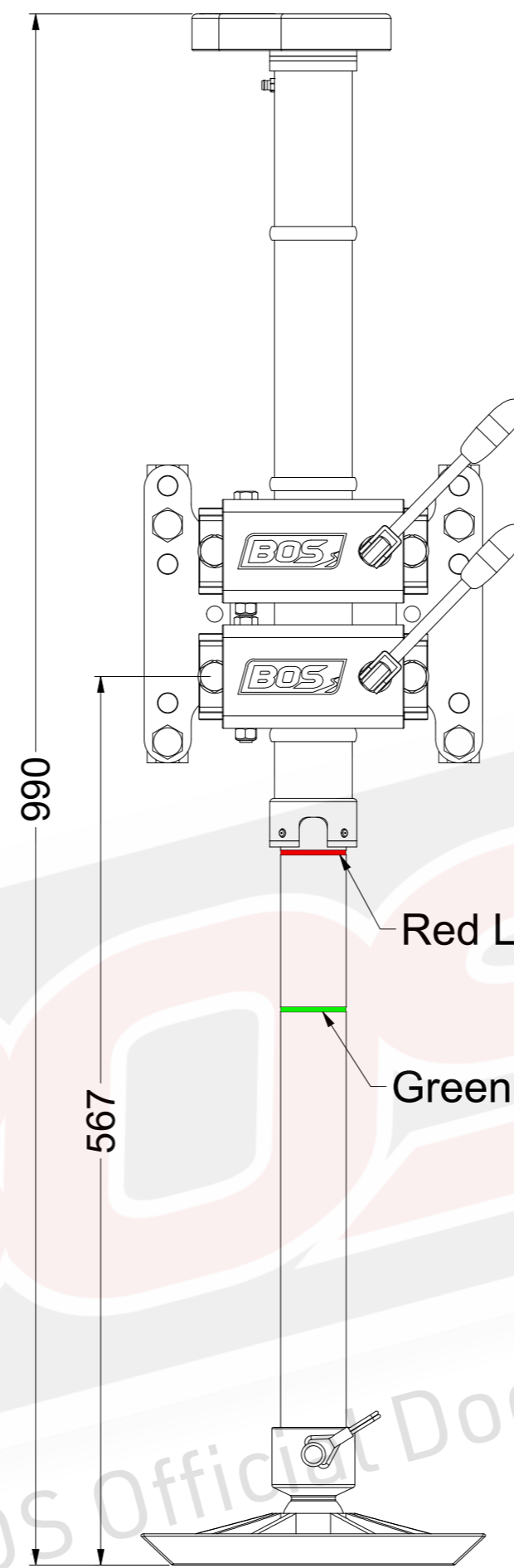
Travel Position without Base Plate



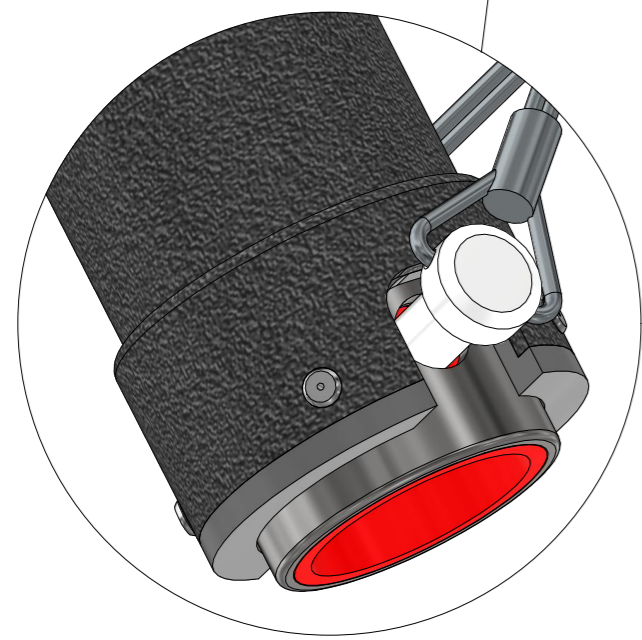
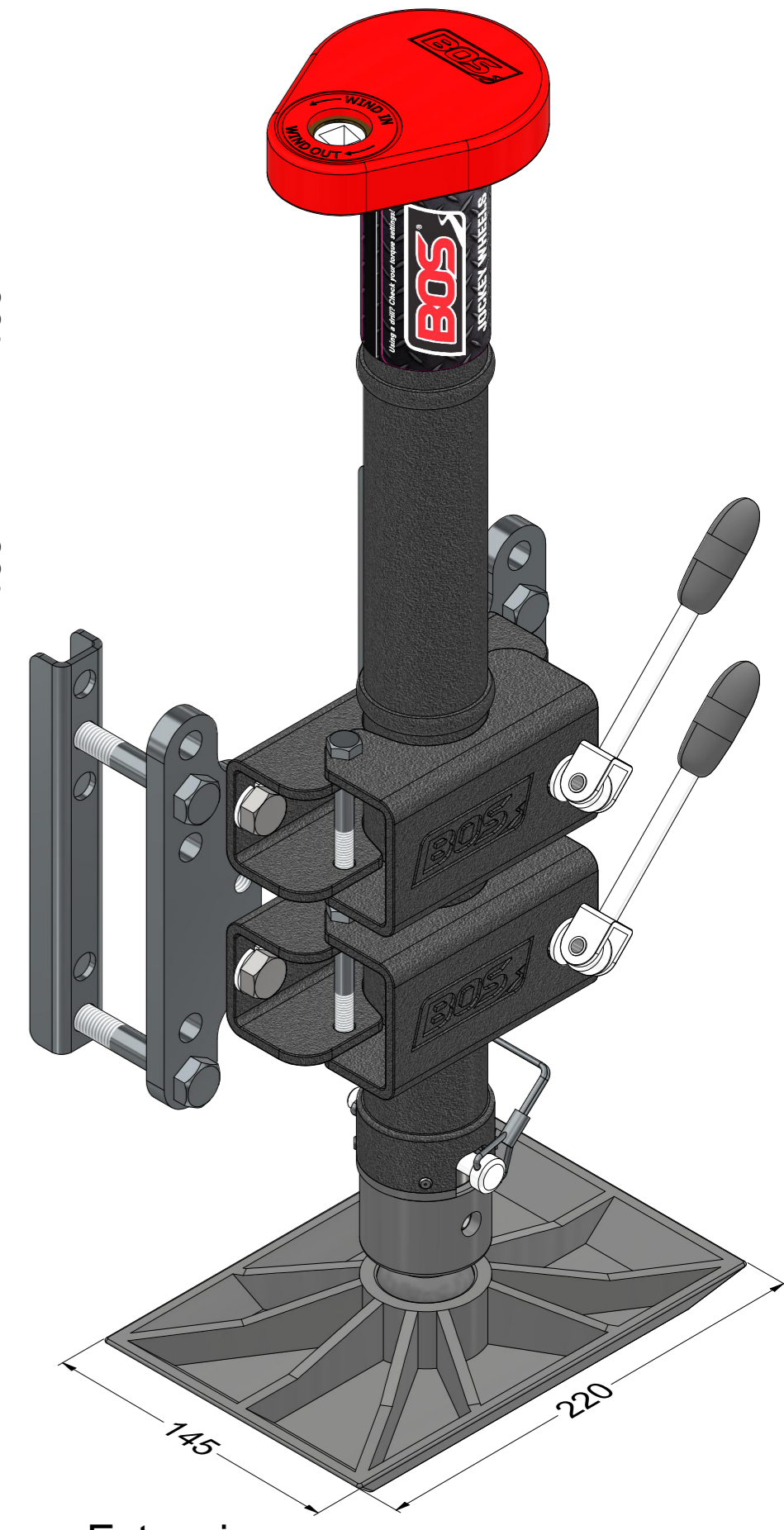
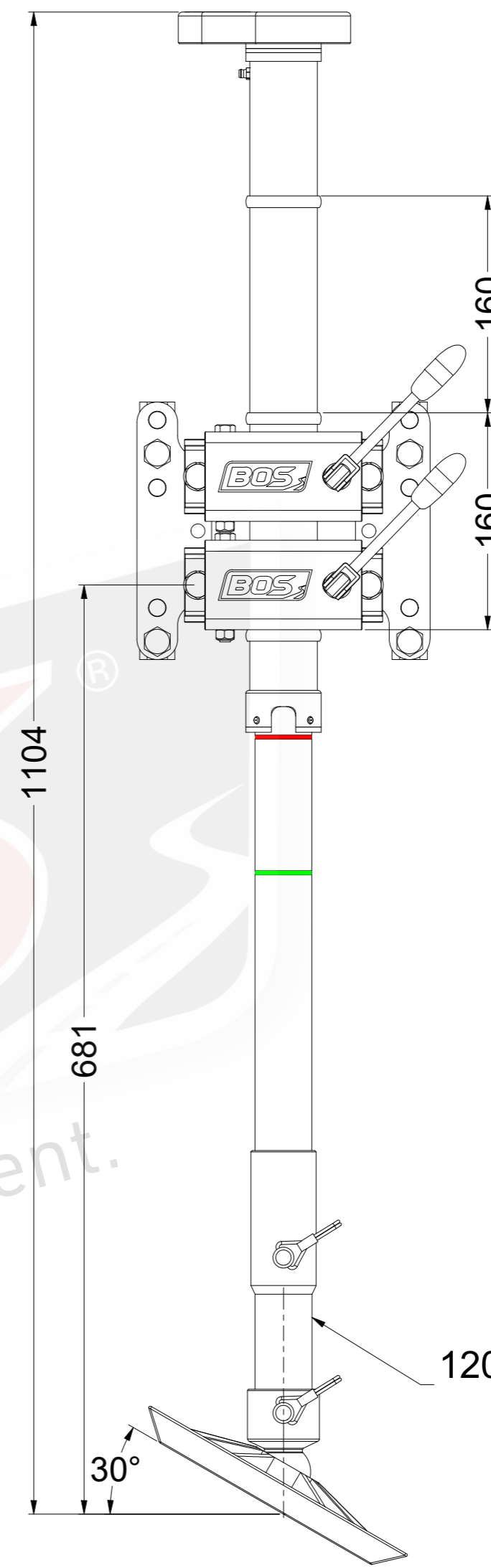
Retracted with Base Plate



Maximum Extension with Base Plate



Maximum Extension with 120mm Extension & Base Plate



Fully retracted with Lynch Pin to leave on while travelling

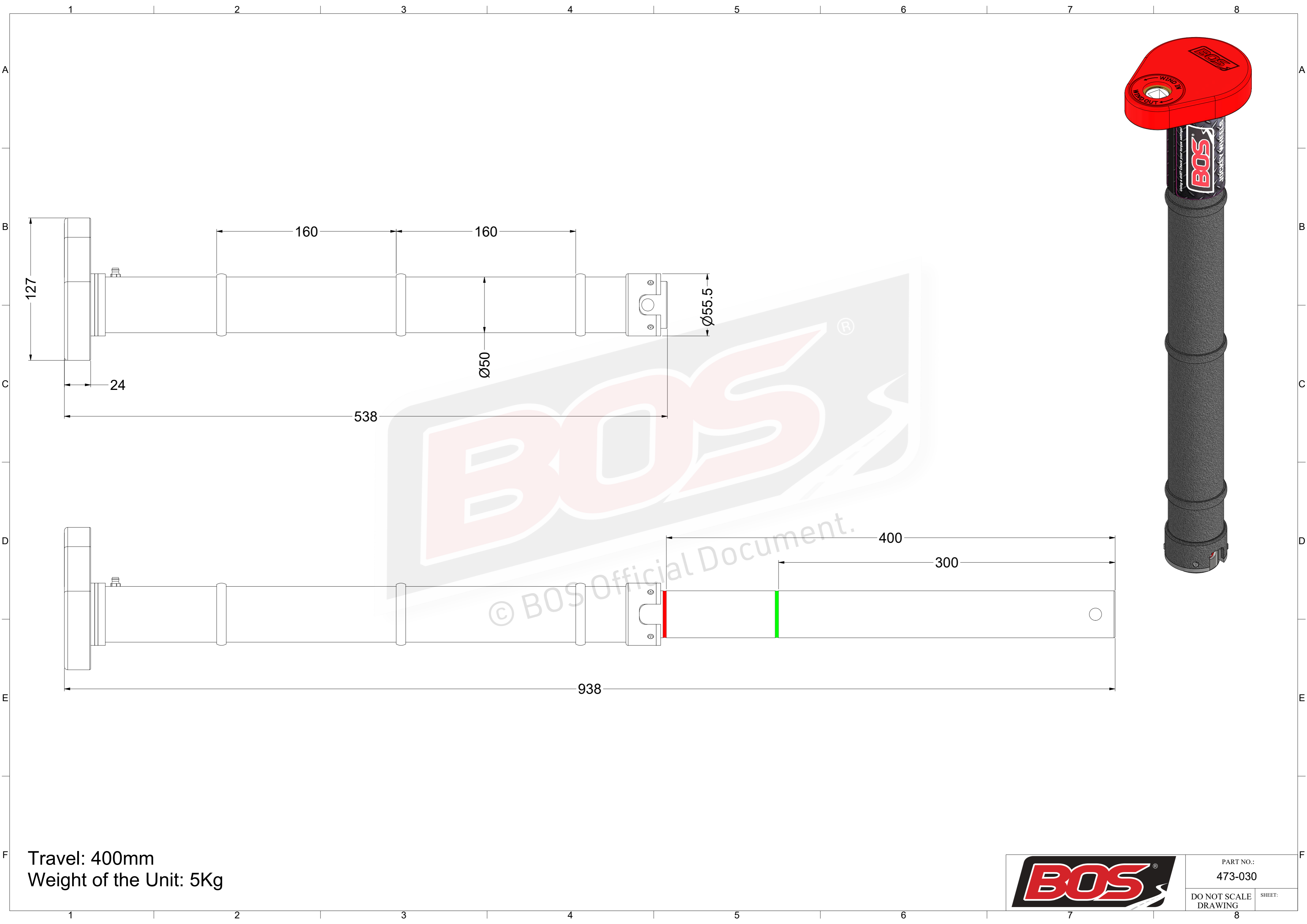
© BOS Official Document.

BOS 3 RIB Jockey Unit and Base Plate with Double Clamp



PART NO.: 473-030

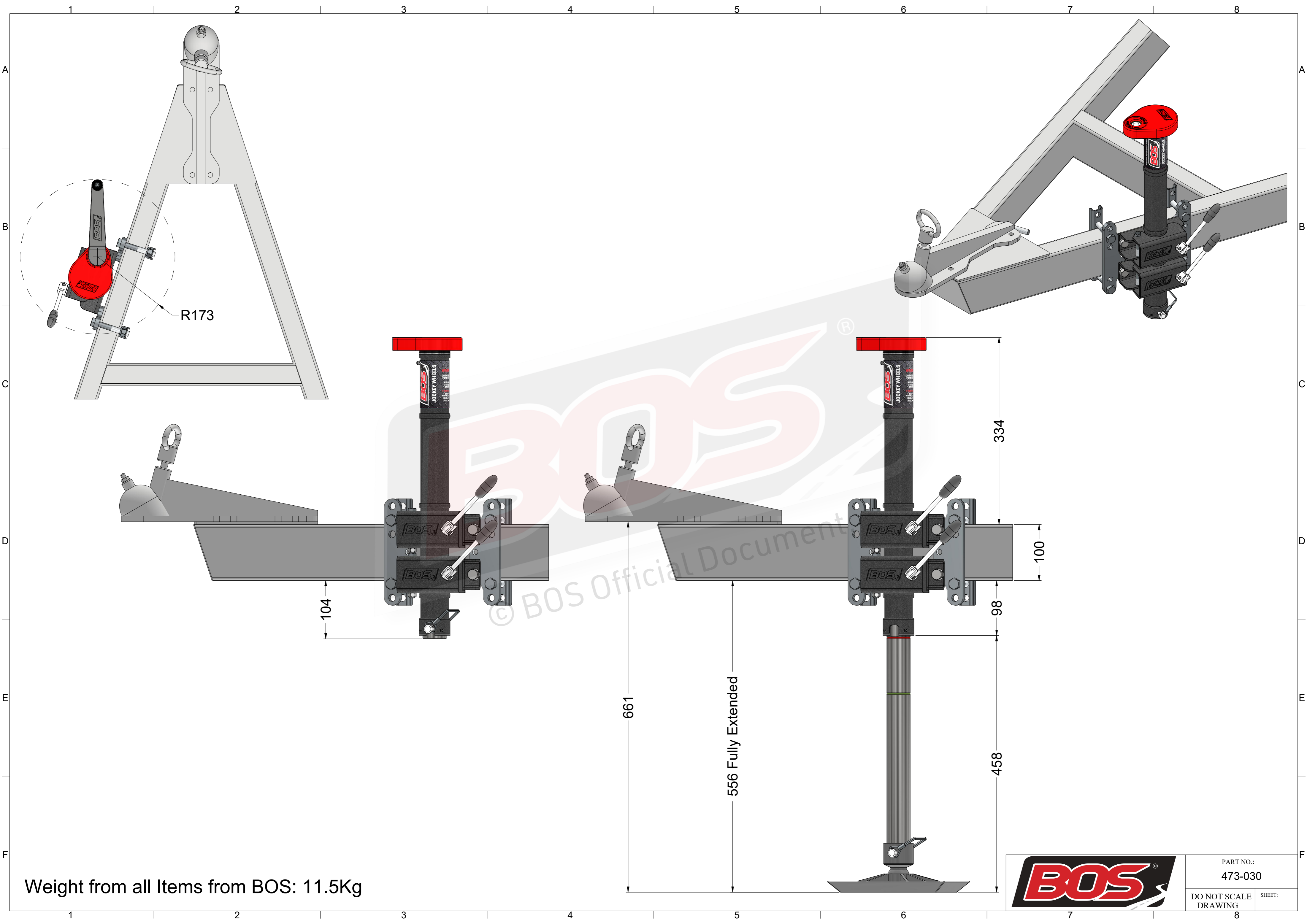
DO NOT SCALE DRAWING SHEET:



Travel: 400mm
 Weight of the Unit: 5Kg



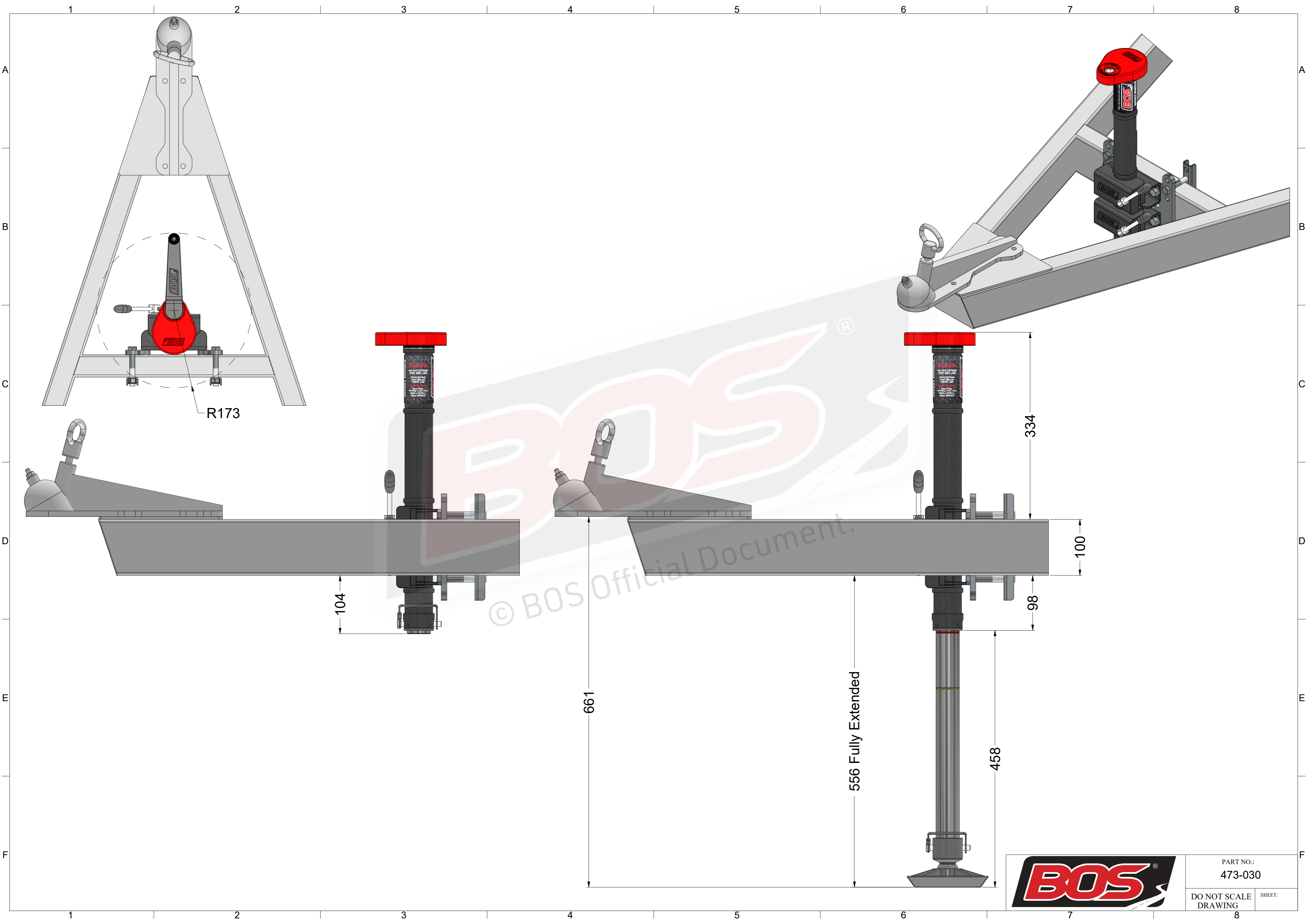
PART NO.: 473-030	
DO NOT SCALE DRAWING	SHEET:



Weight from all Items from BOS: 11.5Kg



PART NO.:	
473-030	
DO NOT SCALE DRAWING	SHEET:
	8



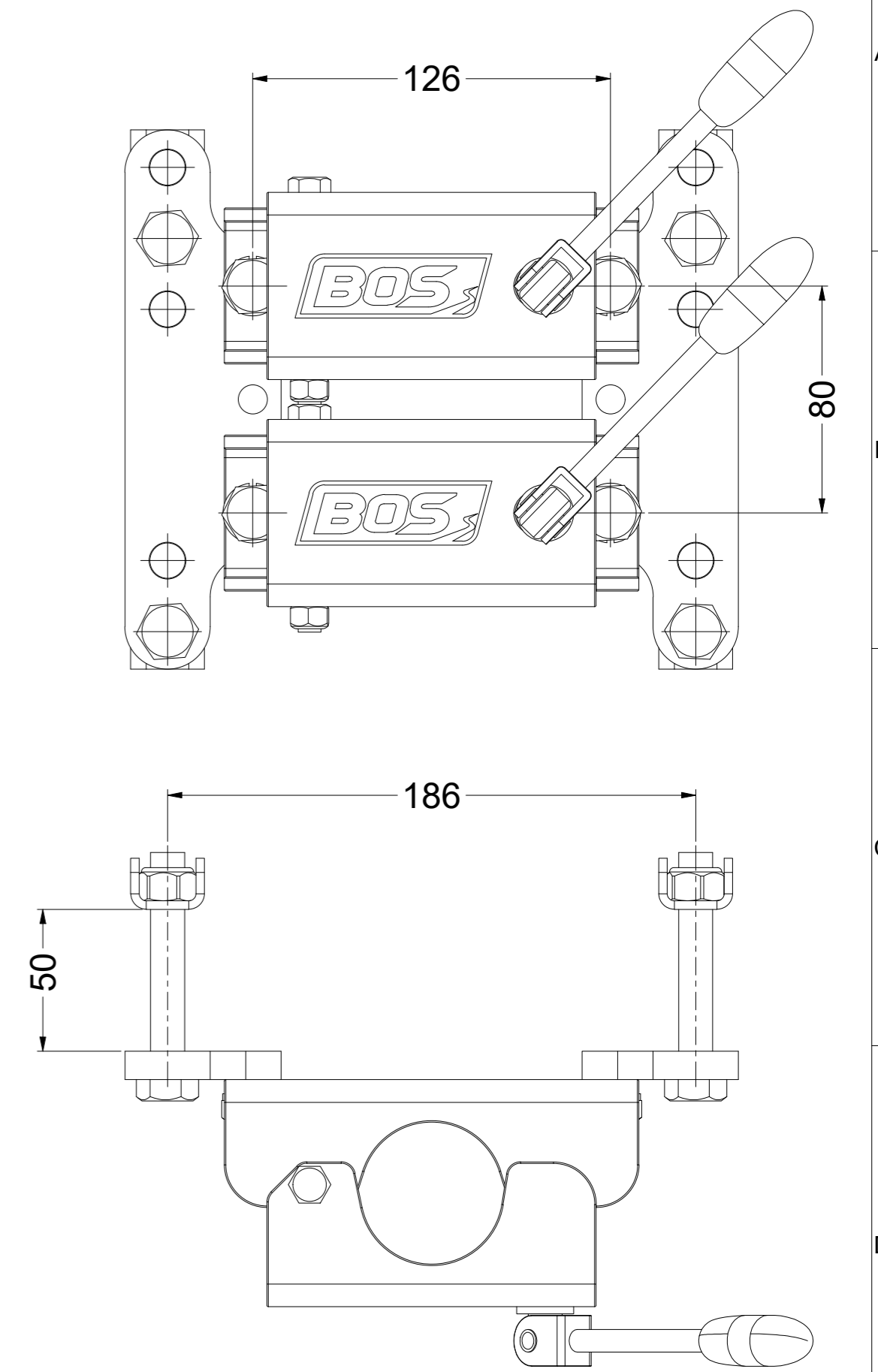
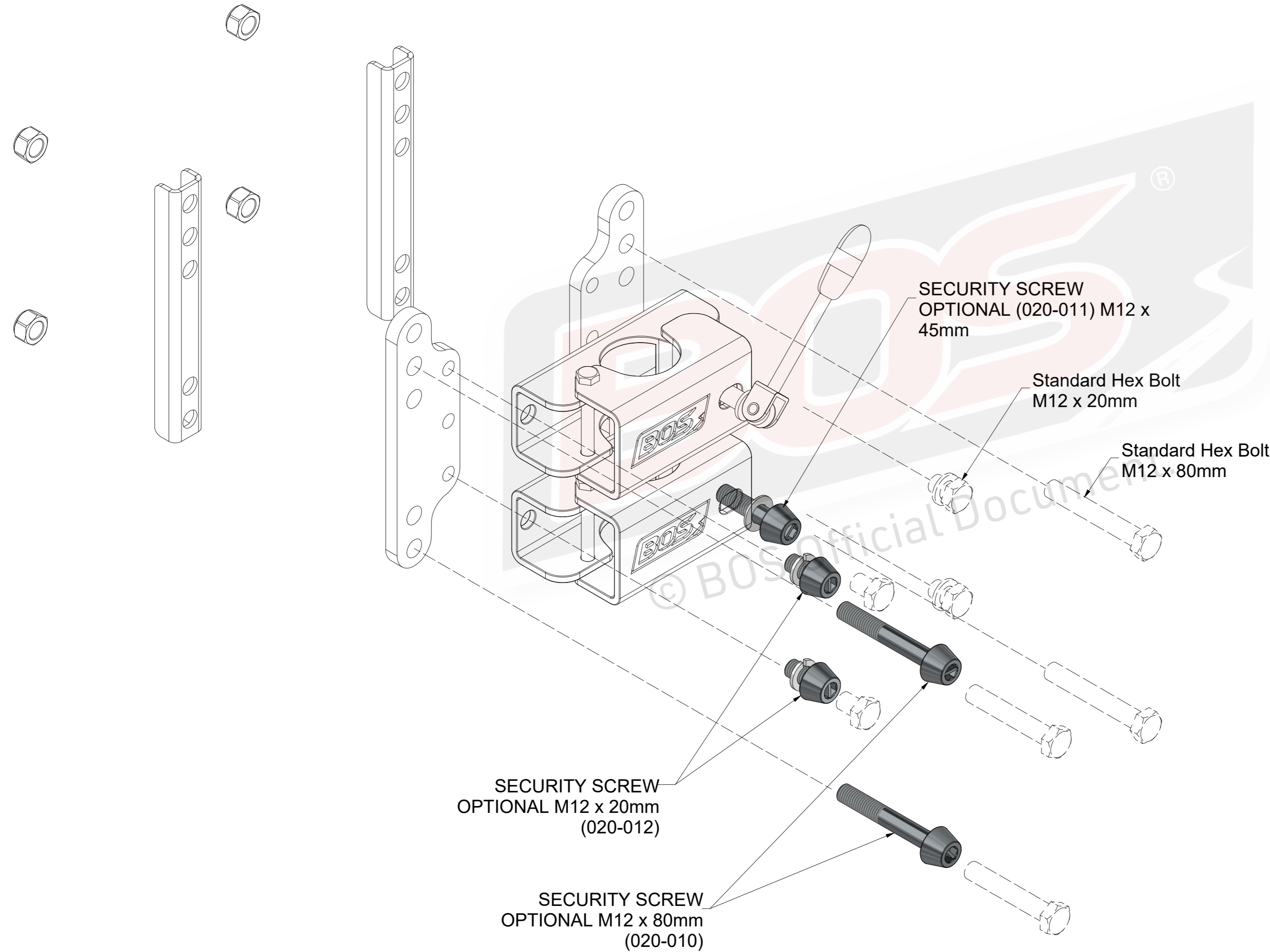
© BOS Official Document.



PART NO.:
 473-030
 DO NOT SCALE
 DRAWING SHEET:

NOTE:

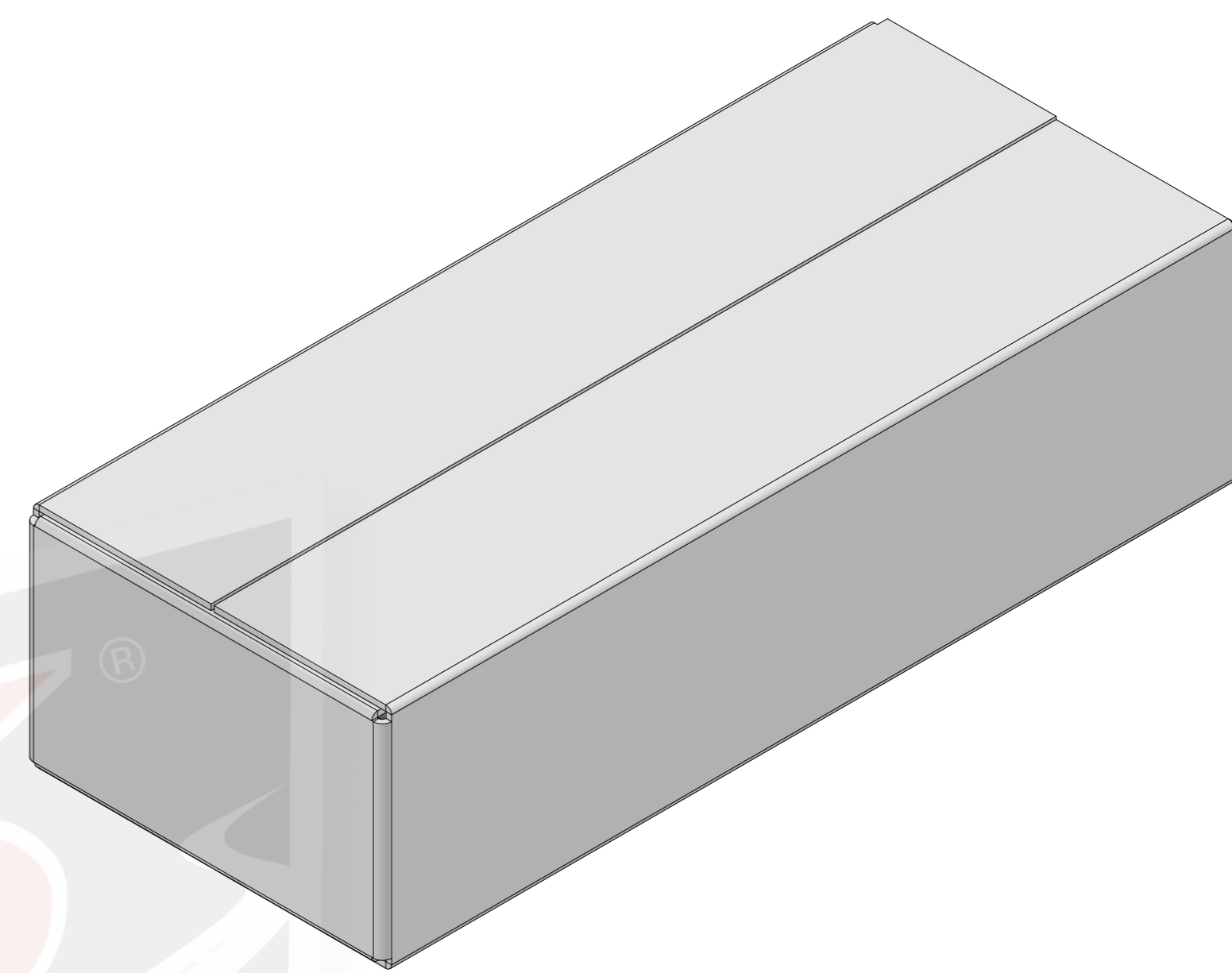
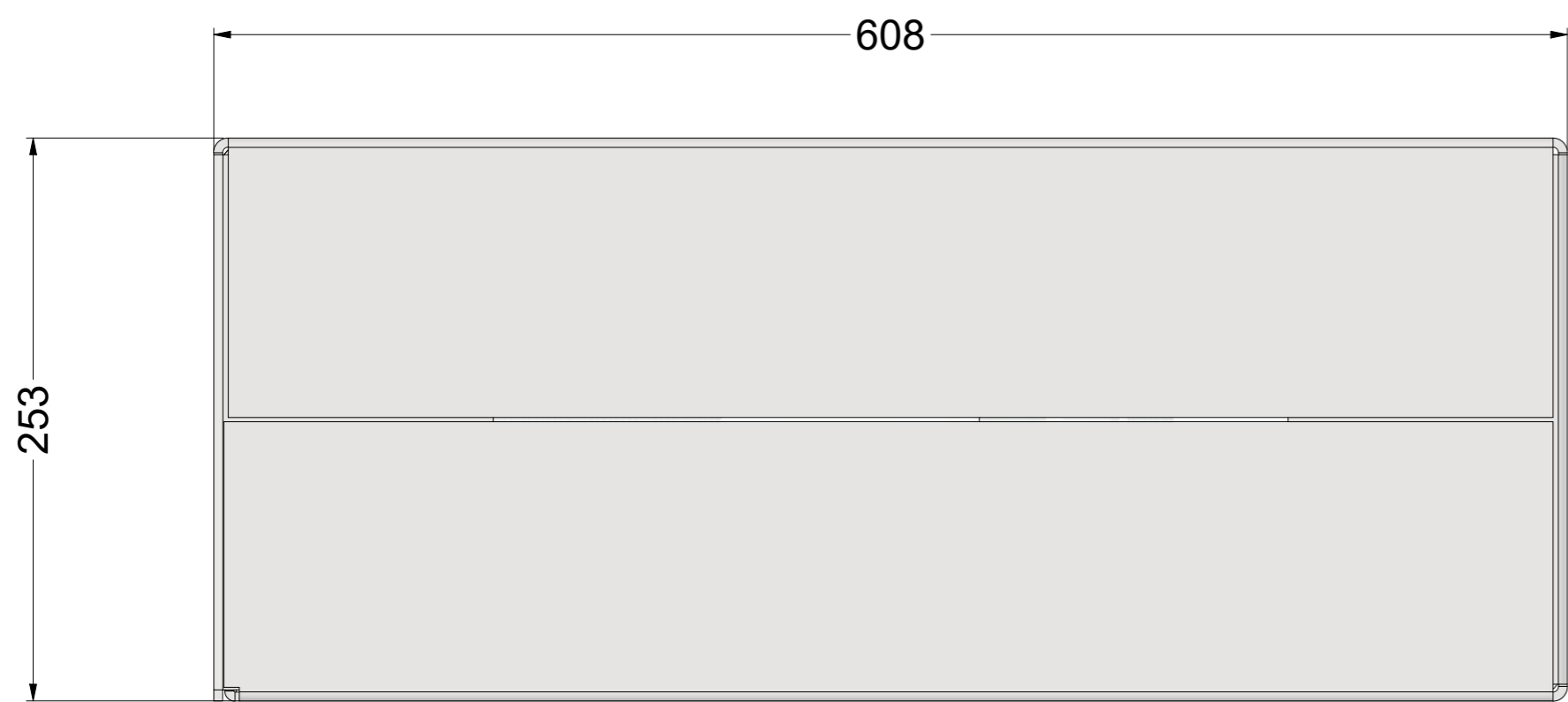
1. Mounting System suits Draw Bar Frames from 75mm up to 150mm.
2. For Draw Bars wider than 75mm (3") across, longer bolts will be required. Please inform when ordering.
3. Clamp Kit and Mounting System only comes with Hex Screws (Security Screws are optional).



Clamps 2 off Weight: 3.4Kg
Mounting Kit Weight: 1.9Kg



PART NO.:	
50mm CLAMP	
DO NOT SCALE DRAWING	SHEET:



Length = 608mm / 24 Inch
Width = 253mm / 10 Inch
Height = 161mm / 6.5 Inch
Weight = 13.4Kg / 29.6Lbs



PART NO.:	
473-030	
DO NOT SCALE DRAWING	SHEET:
	8