

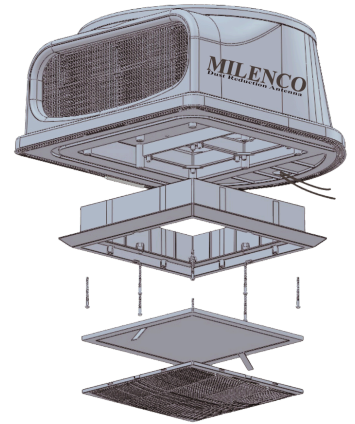
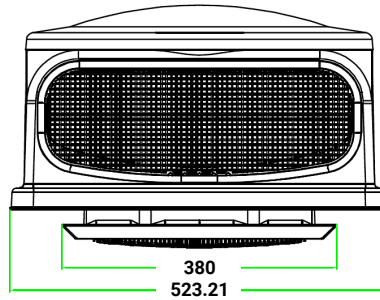
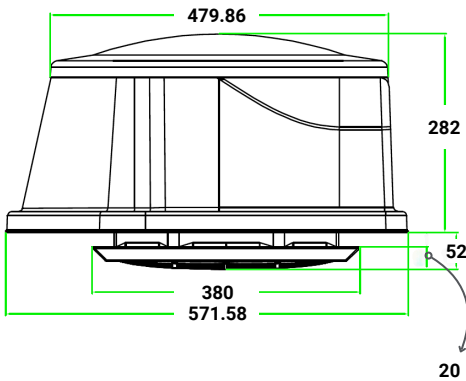
MILENCO

ALL NEW

Dust Reduction Antenna



DUST REDUCTION SYSTEM & TV ANTENNA



*All measurements in mm

Technical Data

MIL7436

Dimensions - Main Unit (mm)	572L x 523W x 282H
Dimensions - Internal Unit (mm)	380L x 380W x 20H
Weight	7.47kg
Gain	38dB
Noise Figure	3dB
Max Output Level	110dBμV
Impedence	75Ω
Connector	F-connectors
Power Supply	DC 12V 0.2A
RPM	2000
Power (Whole Unit)	6W
Power (Fans)	4.6W
Receiving Range	AM/FM/VHF/UHF
Frequency Range (LTE Version)	AM: 520-1719KHz UHF: 470-694KHz VHF: 47-230KHz

Features & Benefits

- Simple to Install & Operate
- Dust Reduction & TV Antenna Combination
- 2 in 1 Design to free up valuable roof space
- Electric Fans to provide pressure boost at slow speeds
- 24 Month Warranty
- High Efficiency Operation
- Lightweight, Durable Construction
- 360 degree omni directional antenna
- High performance & serviceable filtration system