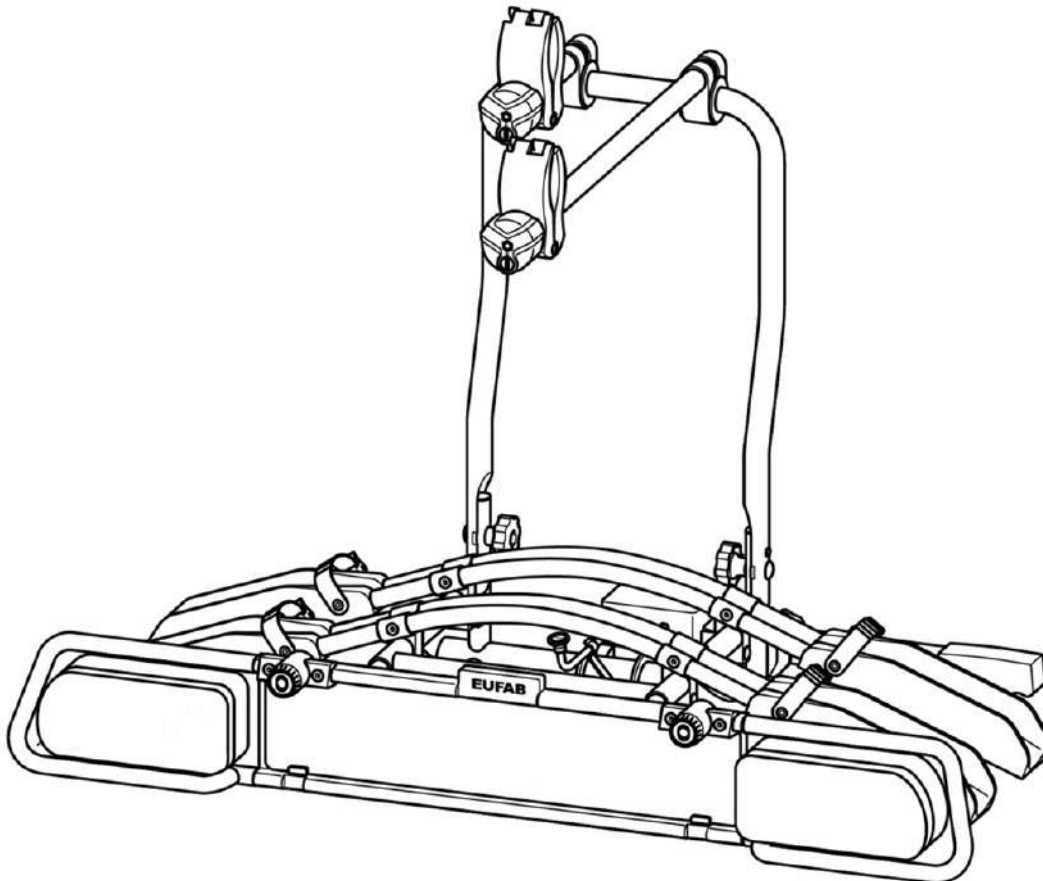

Bicycle carrier QUICK FIT PRO

Operating instructions



QUICK FIT PRO
350-20106

Contents

Information on these mounting	3
Foreword.....	3
Obligations regarding these mounting instructions.....	3
Intended Use.....	3
Safety instructions - Explanation of categories	3
Scope of delivery	4
Technical data	4
Coupling requirements	4
Safety instructions	5
Before first use	6
Mounting of the registration plate on the bicycle carrier.....	6
Mounting of the bracket on the bicycle carrier.....	6
Mounting and use	7
Mounting the bicycle carrier on the trailer coupling.....	7
Mounting bicycles.....	9
Tilting the bicycle carrier, access to the luggage space.....	11
Cleaning and care	12
Maintenance	13
Adjustment of the quick release fastener.....	13
Disposal	13
Contact	13
Spare parts overview - Exploded drawing	14
Spare parts overview - Table	15

Effective: 2018

Information on these mounting instructions

Preface

These mounting instructions will help you with the

- proper and
- secure

mounting of the QUICK FIT PRO bicycle carrier.

Obligations regarding these mounting instructions

Every person who

- installs,
- cleans or
- disposes

of this bicycle carrier must have read and understood the full content of this mounting manual.

Always keep these mounting instructions at hand and in a safe place. In the case of the sale or transfer of this bicycle carrier, provide the mounting instructions.

Intended use

The QUICK FIT PRO bicycle carrier is used to transport a max. of two bicycles. It must be mounted on trailer couplings that meet the requirements that are described in the chapter

"Coupling requirements". The permissible load capacity of the bicycle carrier must not be exceeded under any circumstances.

Intended use also includes the observation of all information provided in these mounting instructions, particularly the observance of safety instructions. Any other use is considered improper and can lead to property damage or personal injury.

Coast to Coast assumes no liability for damage resulting from improper use.

Safety instructions - Explanation of categories

In this manual, you will find the following categories of safety instructions:

WARNING!



Personal injury possible:
Instructions with the heading *WARNING* warn of a possible impending danger.
Failure to avoid such danger could result in serious or even fatal injuries.

CAUTION!



Personal injury or material damage possible:
Instructions under the heading *CAUTION* warn of possibly impending danger.
Failure to avoid such danger may result in slight or minor injuries.
The product or other nearby objects may be severely damaged.

ATTENTION!



Personal injury or material damage possible:
Instructions under the heading *ATTENTION* warn of a potentially harmful situation.
Failure to avoid such situations may result in damage to the product or other nearby objects.

NOTE

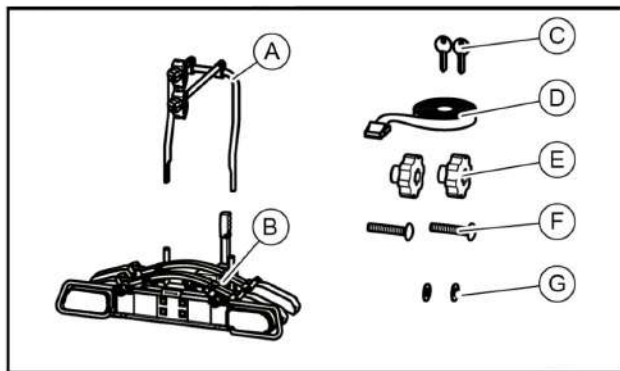


Other information:
Useful tip. Facilitates the operation or installation of the product or serves for better understanding.

The safety symbol used does not replace the text of the safety message.

Therefore, read the safety information and follow it exactly!

Scope of delivery



- A = Bracket with two frame holders
 B = Bicycle carrier
 C = 2 keys
 D = Safety strap for bicycle frame
 E = 2 knobs
 F = 2 carriage bolts
 G = 2 washers

Technical data

Carrier:.....QUICK FIT PRO

Item no.

QUICK FIT PRO:.....350-20106

Material:.....Steel

Net weight::

for two bicycles 17 kg

with extension for third bicycle..... 19 kg

Load bearing capacity:..... 60 kg

The maximum load capacity of the bicycle carrier and the permissible load capacity of the trailer coupling joint must not be exceeded.

The bicycle carrier and load must not exceed the permissible overall weight, or the permissible axle load of the vehicle.

Coupling conditions

WARNING!



Personal injury through breakage of the trailer coupling possible.

The coupling could break if the bicycle carrier is mounted to a coupling made of too soft a material.

- Only mount the bicycle carrier to a coupling of steel St52, grey cast iron GG52 or higher quality.
- Never mount the carrier to a coupling made of aluminium, other light metals or plastic.

Only mount the bicycle carrier to trailer couplings which have the following properties:

Material: Minimum steel St52 or cast iron GG52

Material:..... mind. Stahl St52 oder Grauguss GG52

D value:..... $\geq 7,6$ kN

Observe the instructions from the coupling manufacturer.

Safety instructions

Follow the mounting instructions exactly. Failure to follow the instructions may lead to personal injury and property damage.

If you are not sure about correct mounting, ask your dealer or the manufacturer for further information.

Neither the manufacturer nor dealer are liable for damages which are due to improper use or mounting.

Check the bicycle carrier and the load regularly! You are required to do so and may be held liable in case of damage.

NOTE



European operating approval has been obtained for this bicycle carrier. This is supplied with the carrier and must be carried when using the carrier.

WARNING!



Personal injury or material damage due to changed vehicle driving characteristics. Driving with the mounted bicycle carrier will affect the driving characteristics of your vehicle.

- Adjust your speed to the new driving characteristics.
- Never drive faster than 130 km/h.
- Avoid sudden or jerky steering movements.
- Remember that your vehicle is longer than usual.

WARNING!



Personal injury or material damage due to loss of the bicycles.

Driving without using the safety straps can lead to accidents.

- Before the start of every trip, check correct and secure mounting of the straps around the bicycles and the U-bracket of the carrier (See Step 6, Section "Mounting bicycles").
- Before the start of every trip, check to see if the straps used are undamaged and not worn.
- A damaged or worn strap must be replaced with an undamaged one before driving.

WARNING!



Personal injury or material damage possible due to an unsecured/incorrectly mounted bicycle carrier.

The moving parts of the bicycle carrier constitute a source of danger if not properly mounted.

- Disassemble the bicycle carrier when not in use.

WARNING!



Personal injury or material damage possible due to protruding parts.

Parts protruding beyond the edge of the vehicle or bicycle carrier can cause personal injury or material damage when driving.

- Only mount parts that do not protrude beyond the edge of the vehicle.

WARNING!



Personal injury or material damage due to overloading.

Exceeding the max. load capacity of the bicycle carrier as well as the permissible load on the coupling joint of the trailer coupling or the permissible overall weight can lead to serious accidents.

- Observe the information on the max. load capacity, permissible coupling joint load and permissible overall weight of your vehicle. Never exceed these specifications.

ATTENTION!



Material damage due to opening tailgate.

The tailgate could hit against the bicycle carrier and be damaged.

- Switch off the electric tailgate and operate them manually.
- Fold down the bicycle carrier before opening the tailgate.

ATTENTION!



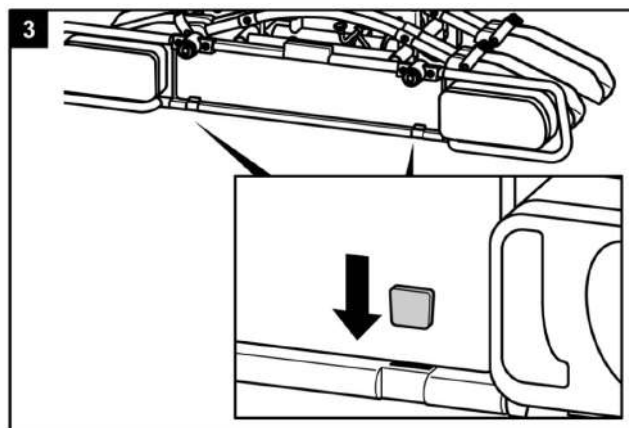
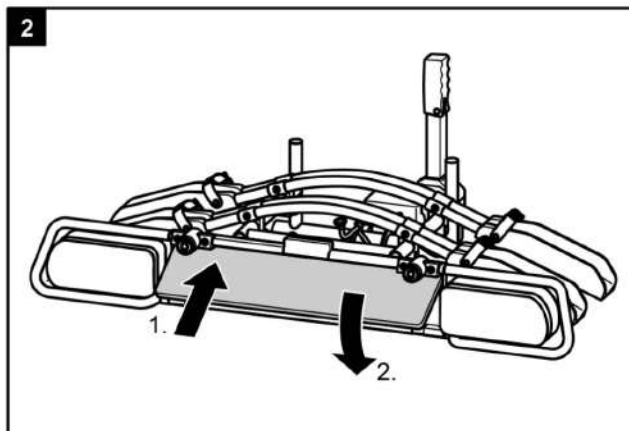
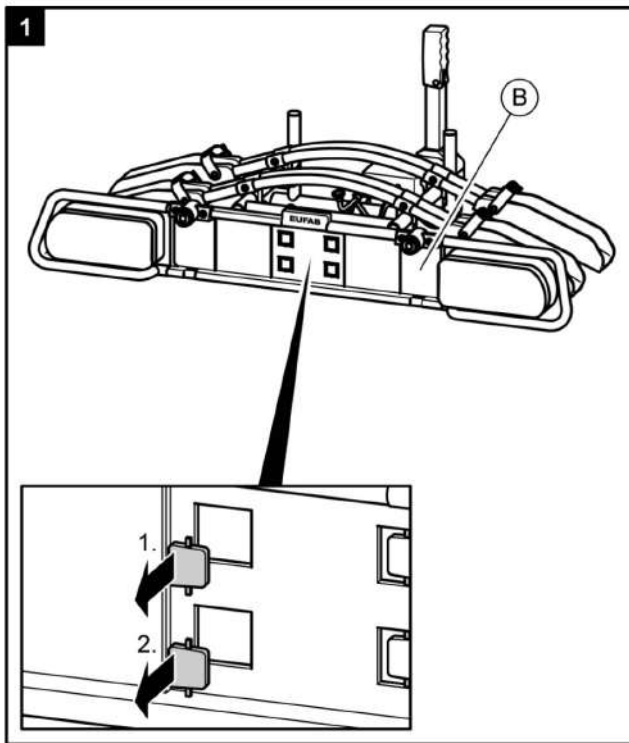
Material damage caused by hot exhaust gases.

Damage can be caused to the bicycle carrier or the bicycles if the the exhaust pipe is too close.

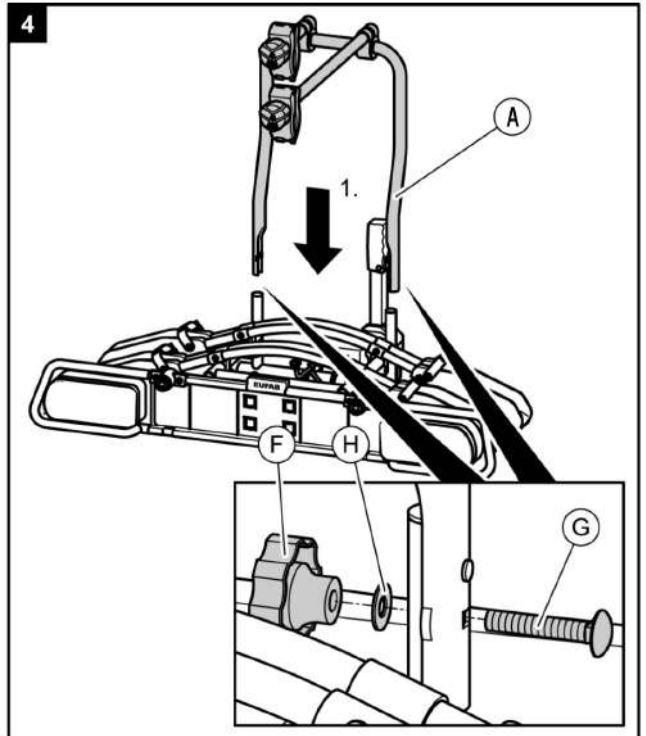
- If necessary, use an exhaust deflector.

Before first use

Mounting of the registration plate on the bicycle carrier



Mounting of the bracket on the bicycle carrier



WARNING!



Personal injury or material damage possible due to loss of the bicycles while driving. A loose connection between the carrier and bracket can lead to a loosening of the connection and loss of the bicycles.

- Check the bicycle carrier for secure and complete mounting of the bracket on the carrier before each trip.

Mounting and use

Mounting the bicycle carrier on the trailer coupling

- Park your vehicle on a level surface
- Apply the handbrake.

WARNING!



Personal injury or material damage possible due to a damaged bicycle carrier. Damage of the carrier, e.g. by bent parts, cracks or scratches, prevents the safe operation of the carrier.

- Do not mount the bicycle carrier if it is damaged in any way.
- Follow the steps as described in the chapter on "Maintenance".

WARNING!



Personal injury or material damage due to loss of the bicycle carrier while driving.

A loose or faulty connection between the bicycle carrier and trailer coupling can lead to the detachment of the bicycle carrier.

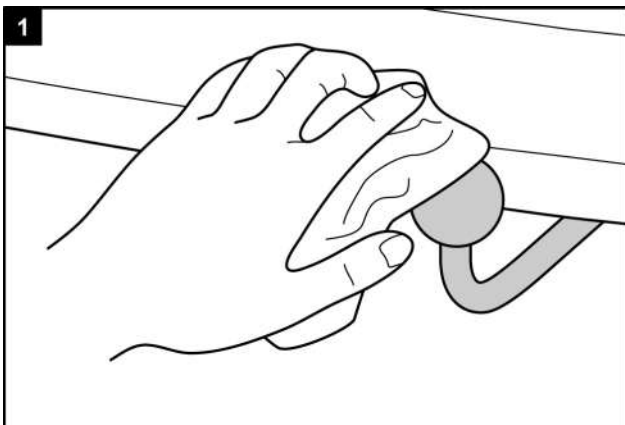
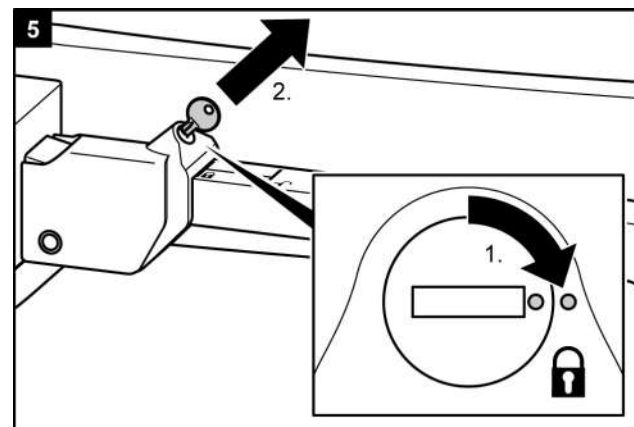
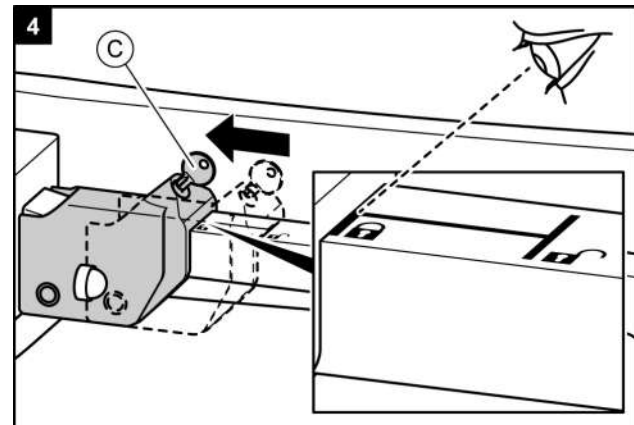
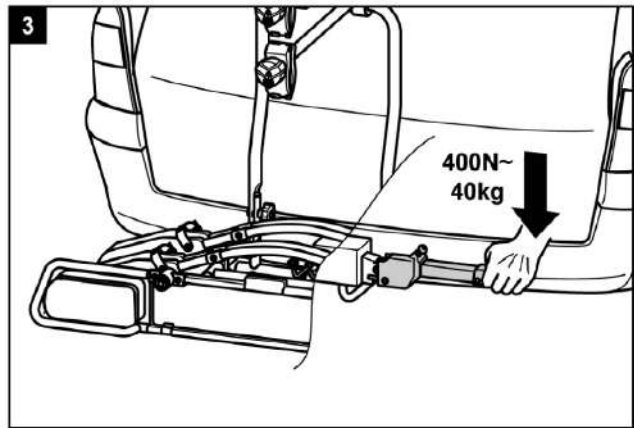
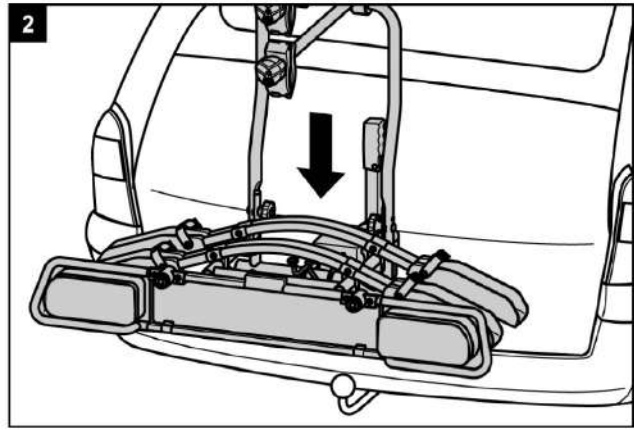
- Replace a defective trailer coupling.
- Clean the trailer coupling of dirt, dust and grease.

NOTE



There is often a layer of paint on the coupling ball.

For the best possible mounting of the bicycle carrier, this paint coating should be carefully removed. Observe the instructions from the coupling manufacturer.



WARNING!



Personal injury or material damage possible due to an unsecured bicycle carrier.

If the lever is not secured by locking, the bicycle carrier could become detached from the vehicle while driving.

- Lock the bicycle carrier.
- Check that you have locked the lever and removed the key.

By locking the carrier, you will also prevent a possible theft of the bicycle carrier.

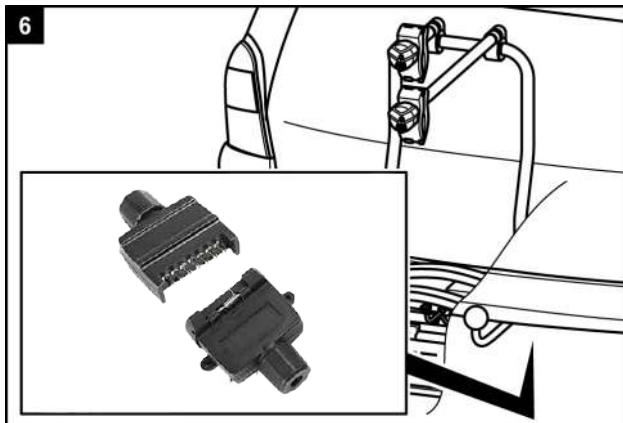
WARNING!



Personal injury or material damage due to loss of the bicycle carrier while driving.

A loose connection between the bicycle carrier and trailer coupling can lead to detachment of the bicycle carrier.

- Check the bicycle carrier for secure and complete mounting.
- Repeat steps 4 to 8 of this chapter if the connection is loose. If this brings about no improvement, the quick-fastener may need to be adjusted, see the chapter "Maintenance".



WARNING!



Personal injury due to not being seen by other road-users.

Driving without a functioning lighting system can lead to accidents.

- Check the correct operation of the lighting system before each trip.
- Replace any defective bulbs if necessary.
- Check the connection between the plug and coupling.

Mounting bicycles

ATTENTION!



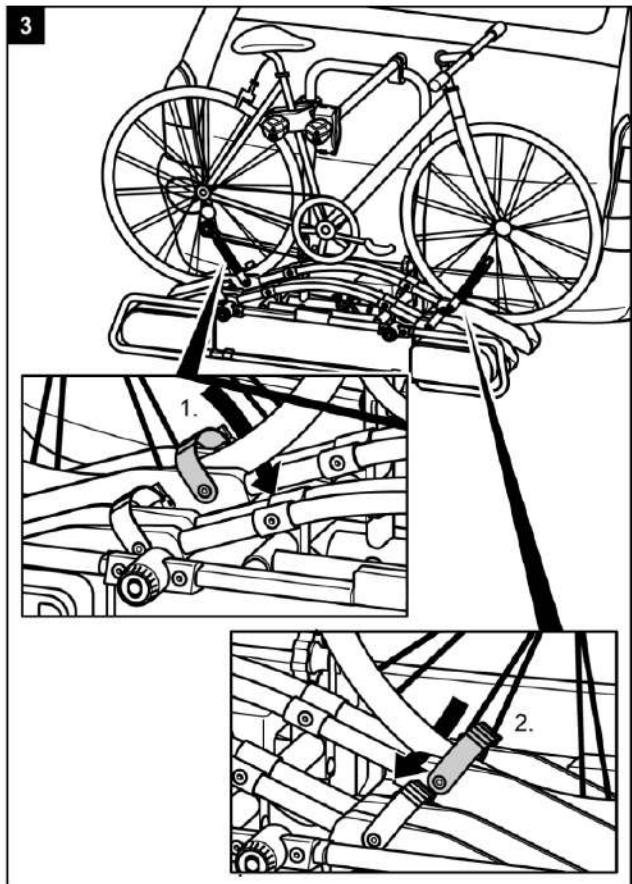
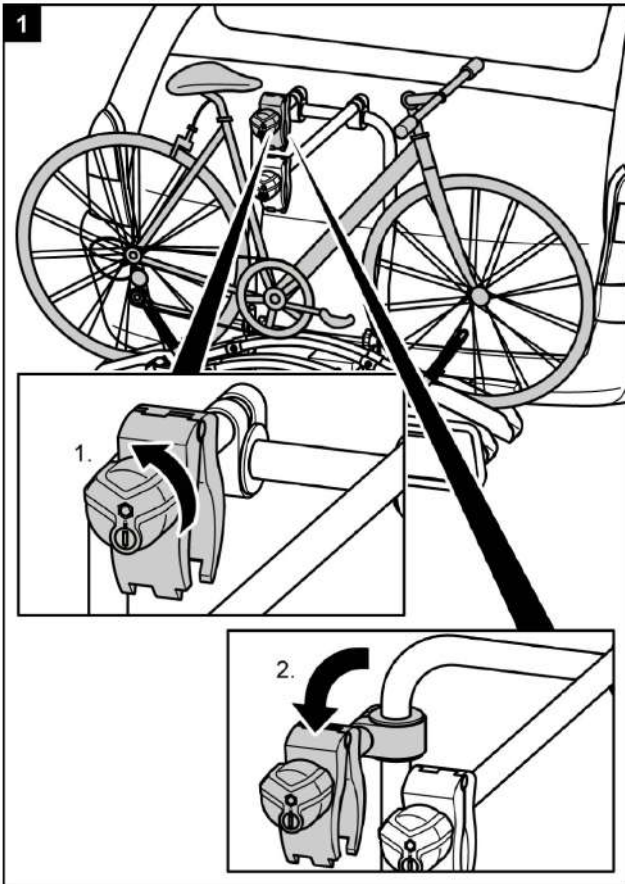
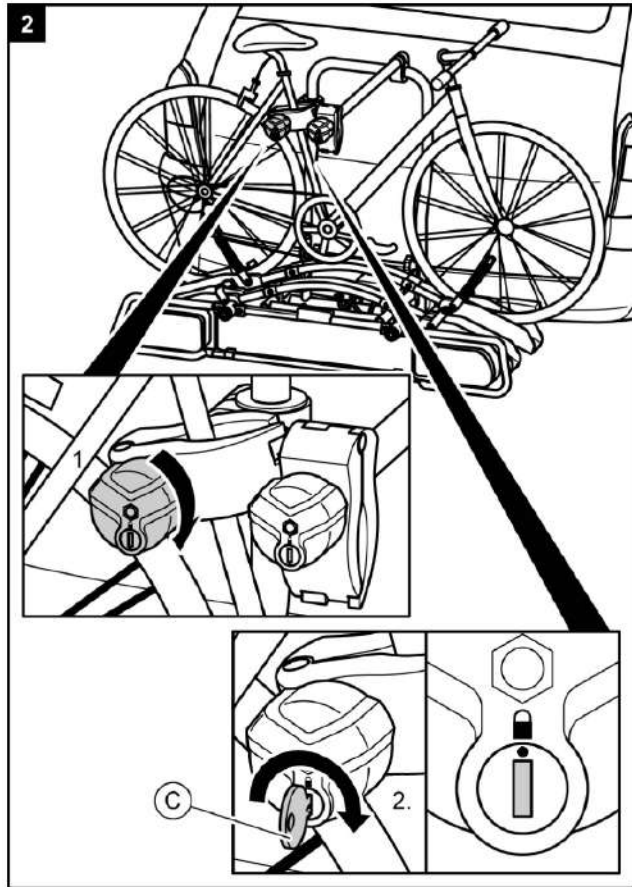
Personal injury or material damage possible due to flying parts.
Improperly tightened parts on the bicycles can become loose while driving.

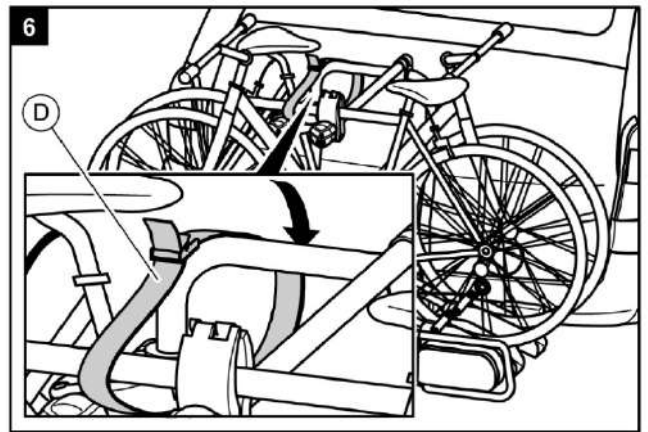
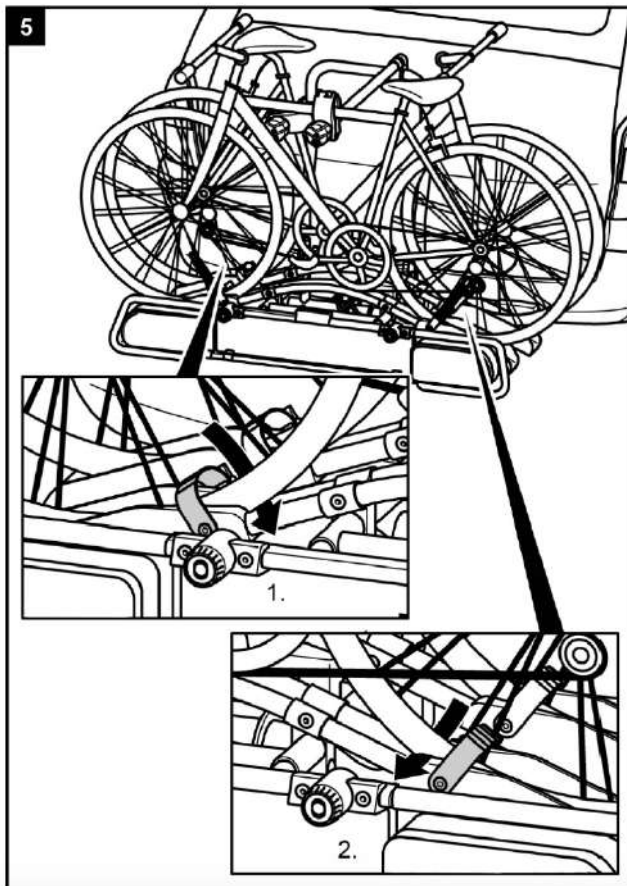
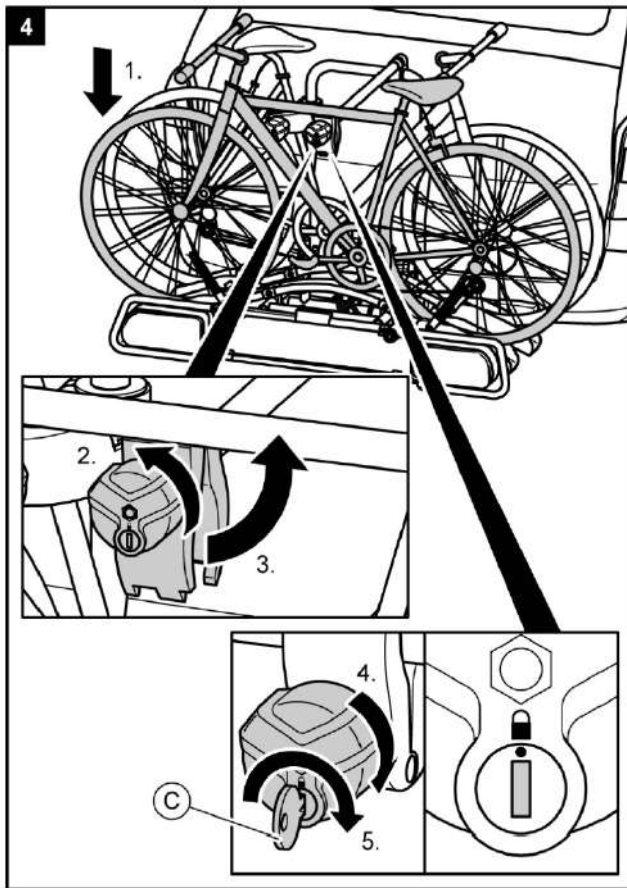
- Remove all parts not firmly attached to the bicycle, such as bicycle pumps, panniers, navigation devices or batteries.

NOTE



In order to improve the handling of your vehicle, mount the heavier bicycle first.
If carrying only one bicycle, this should be mounted in the rail closest to the boot of the vehicle.





WARNING!



Personal injury or material damage due to loss of the bicycles.

Driving without using the safety straps can lead to accidents.

- Before the start of every trip, check correct and secure mounting of the straps around the bicycles and the U-bracket of the carrier (See Step 6, Section "Mounting bicycles").
- Before the start of every trip, check to see if the straps used are undamaged and not worn.
- A damaged or worn strap must be replaced with an undamaged one before driving. O

WARNING!

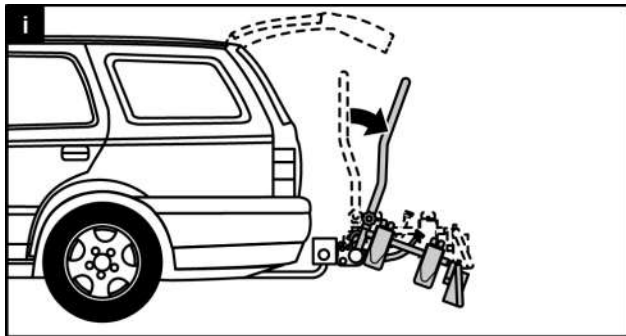


Personal injury or material damage due to loss of a bicycle while driving.

A loose connection between the bicycle carrier and bicycle can lead to the detachment of the connection and loss of the bicycle.

- Check the bicycles for secure and complete mounting.
- Repeat steps 1 to 6 of this chapter if the connection is loose.

Tilting the bicycle carrier, access to the luggage space

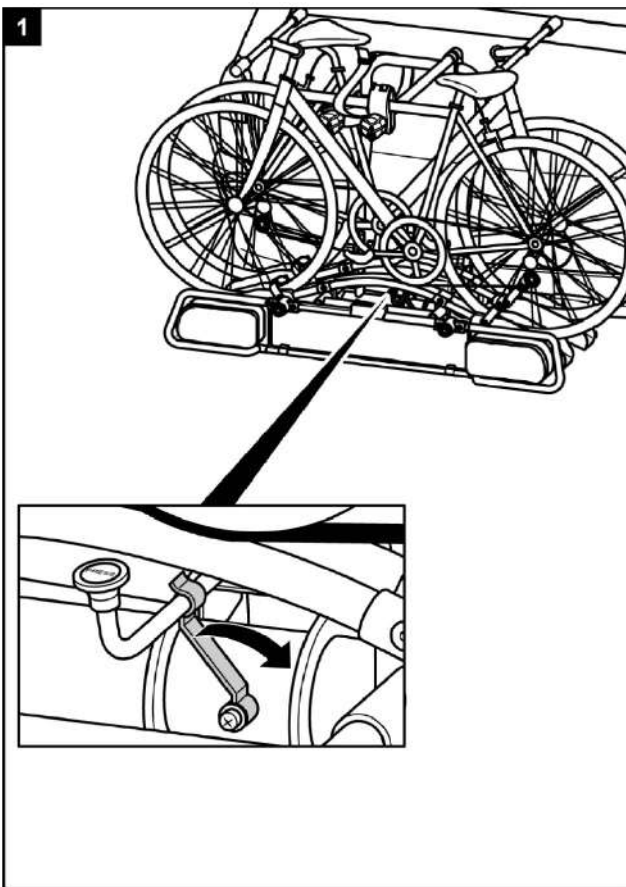


ATTENTION!



Material damage due to opening tailgate. The tailgate could hit against the bicycle carrier and be damaged.

- Switch off the electric tailgate and operate it manually.
- Fold down the bicycle carrier before opening the tailgate.

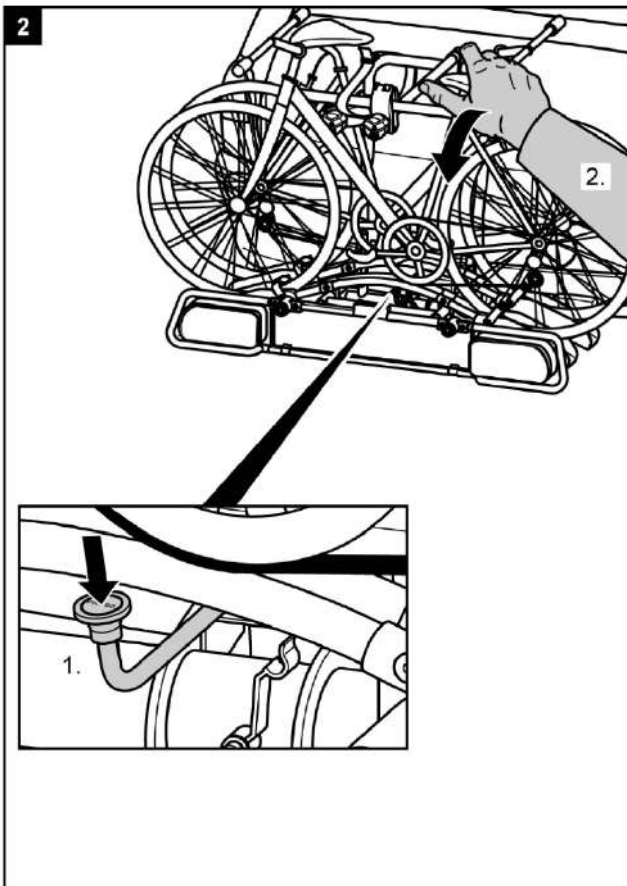


CAUTION!



Personal injury or material damage due to sudden folding down of the carrier. Body parts or objects under or in front of the carrier when it is folded down may be crushed.

- Make sure that there is nothing beneath the carrier.
- Keep all body parts, and particularly your head, clear, and maintain a suitable safety distance.
- Firmly hold the carrier by the U-bracket when folding it down.

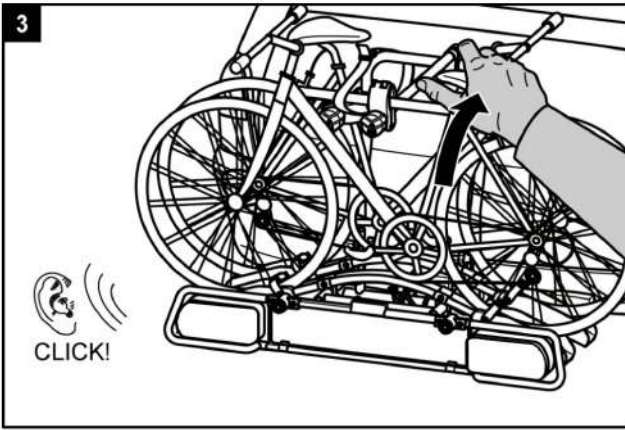


CAUTION!



Personal injury or material damage possible when folding up the carrier. Body parts or objects between the carrier and the vehicle when it is folded up may be crushed.

- Make sure that there is nothing between the carrier and the vehicle.
- Remove any objects between the carrier and the vehicle.

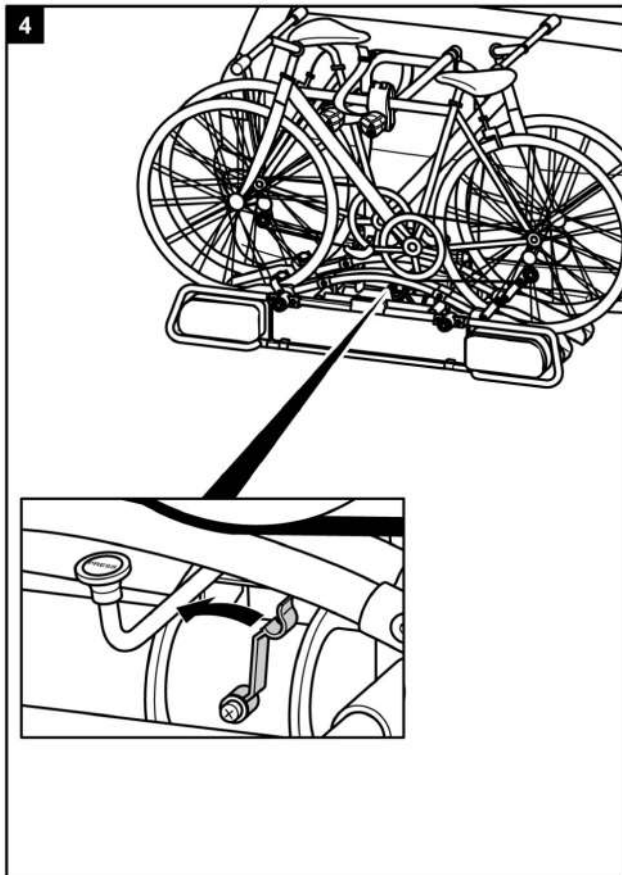


WARNING!



Personal injury or material damage possible due to loss of the bicycle carrier while driving. A bicycle carrier which is not folded up can result in detachment of the carrier or the coupling.

- Fold the carrier up before the start of the trip.
- Check that the bicycle carrier is correctly engaged. Lock the carrier as shown above, and snap in the safety guard for the folding mechanism on the lever.



Cleaning and care

The bicycle carrier can be cleaned with a mild detergent, with warm water and/or a soft cloth.

First remove any coarse dirt and dust. Do not use any solvents or similar cleaning agents since these may damage the bicycle carrier.

Leave the bicycle carrier to dry on its own. Do not use any electrical driers or other heating equipment to speed up the drying process.

Clean the bicycle carrier regularly when used in coastal areas or in winter conditions in order to wash off any salt and prolong the service life of the bicycle carrier.

Store the bicycle carrier in a dry and protected area when not used for extended periods (e.g. over winter) in order to prolong the service life of the bicycle carrier.

Maintenance

Before each trip, check the bicycle carrier for wear. Defective metal parts and tightening straps in particular must be replaced.

Please refer to our customer service for the replacement of parts.

Any modification of original parts and materials or the construction of bicycle carrier can adversely affect its safety and serviceability.

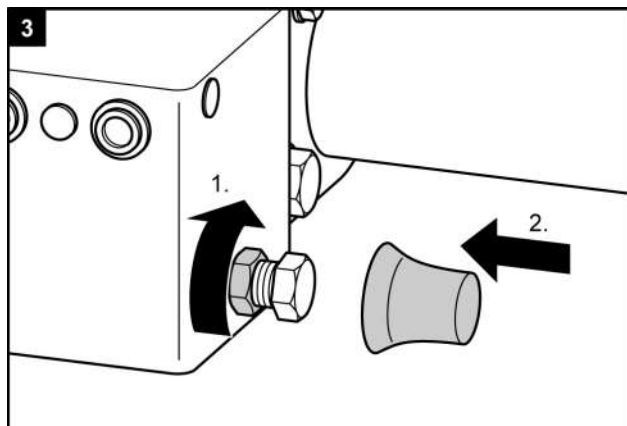
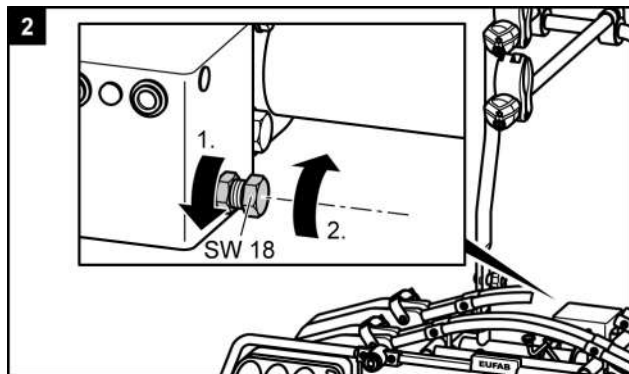
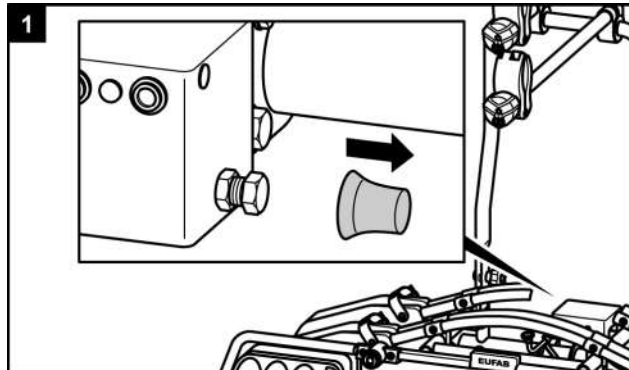
The steel parts of the bicycle carrier are protected at the factory against corrosion using a powder coating. If this paint coating is damaged, please have the damage repaired professionally as soon as possible.

Under normal conditions, the bicycle carrier only requires cleaning and is otherwise maintenance-free.

Adjustment of the quick release fastener

Only perform this maintenance operation if the bicycle carrier cannot be mounted firmly to the trailer coupling, as described in the chapter "Mounting".

- Remove the bicycle carrier from the trailer coupling as described in "Dismantling".
- Remove the dust cap - Fig 1
- Loosen the locking nut slightly - Fig 2.1
- Screw in the setting screw one quarter of a turn - Fig 2.2
- Tighten the locking nut - Fig 3
- Check whether the carrier is now firmly seated on the trailer coupling as described in "Mounting". If not, repeat steps described above.



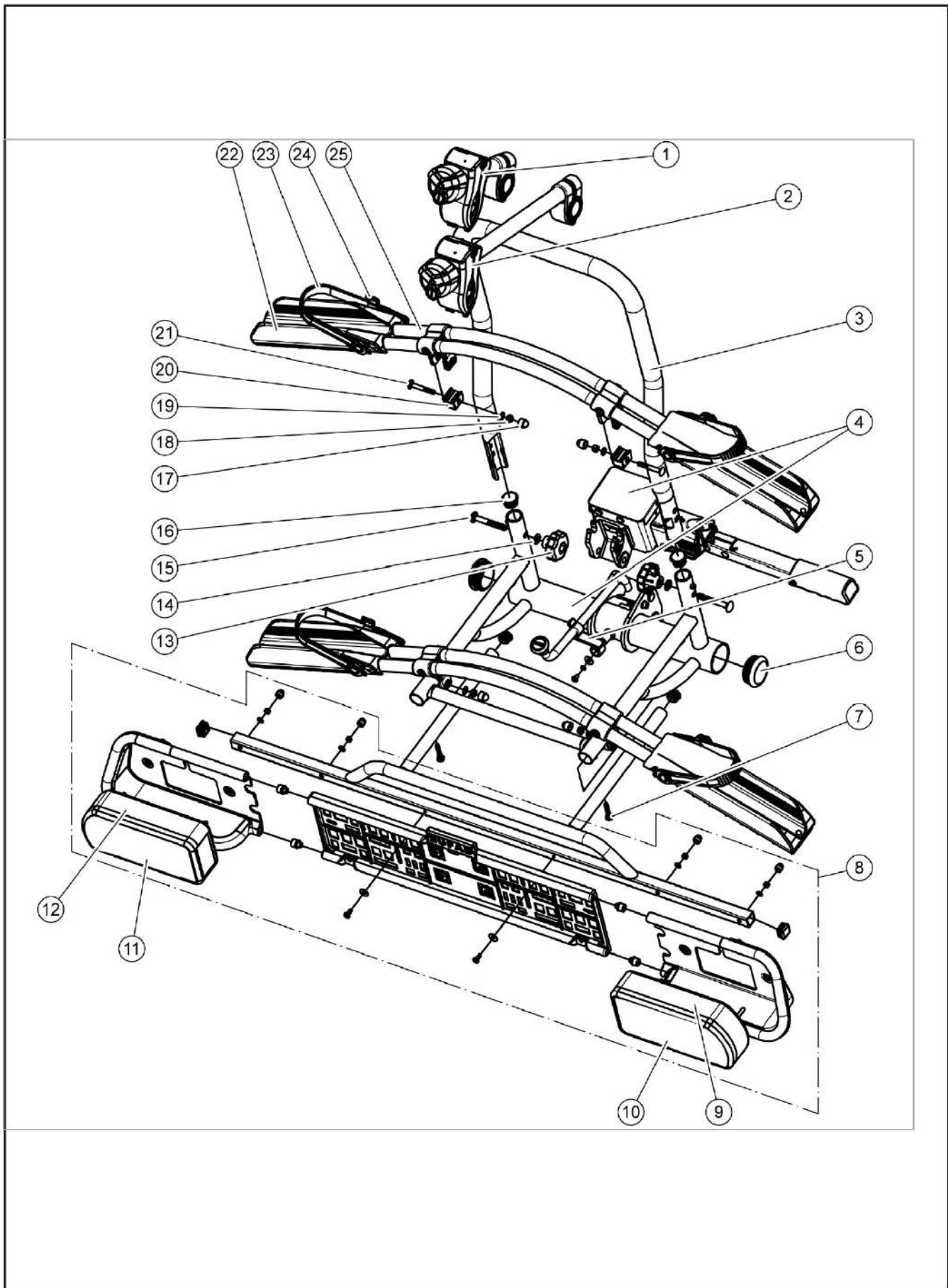
Disposal

Environmental note

Local regulations must be observed for the disposal of the product.

The packaging should also be sorted by type and disposed of in the relevant collection containers.

Further information is available from your communal disposal point.



Item	Spare part	Quantity	Description
1	11232	1	Frame holder, short
2	11233	1	Frame holder long
3	90568	1	U-bracket
4	90567	1	Carrier table with quick release fastener
5	90456	1	Safety guard to folding mechanism
6	90368	2	Stopper 48 mm, pre-assembled
7	90363 90342	2	Knurled screw M6 x 28
8	90678	1	Lamp holder, pre-assembled
9	11540	1	Lamp right, pre-assembled
10	11542	1	Glass right, pre-assembled
11	11543	1	Glass left, pre-assembled
12	11541	1	Lamp left pre-assembled
13	90081	2	Knurled nut M8
14	90252	2	Disk 8 mm,
15	90364	2	Carriage bolt M6 x 60
16	90367	2	Stopper 20 mm, pre-assembled
17	90369	4	Cap SW 10
18	90253	5	Nut M6 Self-locking, front
19	90251	9	U disk 6 mm, pre-assembled
20	90371	4	Fastener complete
21	90362	4	Carriage bolt M6 x 55
22	90370	4	Wheel mount, pre-assembled
23	90365	4	Tightening strap, pre-assembled
24	90366	4	Tightening strap lock, pre-assembled
25	90347	2	Bike racks, pre-assembled
	90224	1	Safety strap

