

OUTSIDE VIEW

How to replace CAMEC door locks

OUTSIDE VIEW

CAMEC SECURITY DOOR LOCK KIT

Make sure the parts kit supplied is correct for your hinged door.

Viewed from the outside of the caravan:

If hinge is on the left side of the door - door is **LEFT HINGE**.

If hinge is on the right side of the door - door is **RIGHT HINGE**.



Parts Left Hinge Door Lock Kit

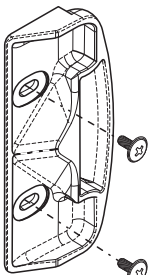
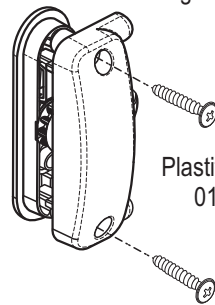
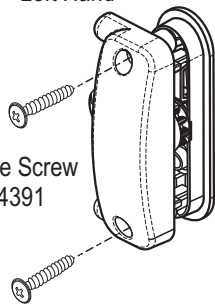
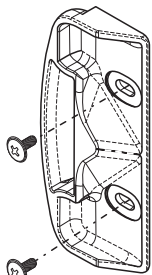
Parts Right Hinge Door Lock Kit

Strike
014383

Remote Latch Assembly
014386 - Left Hand

Remote Latch Assembly
014387 - Right Hand

Strike
014383



016752
(M4 screws)

Plastite Screw
014391

Plastite Screw
014391

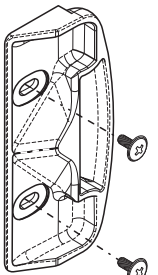
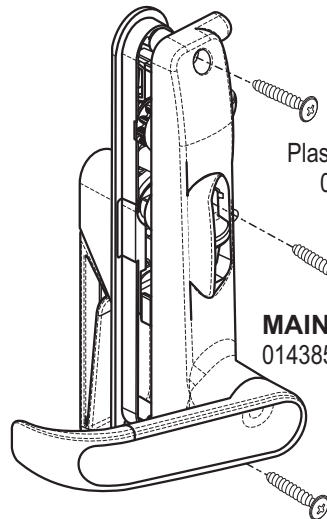
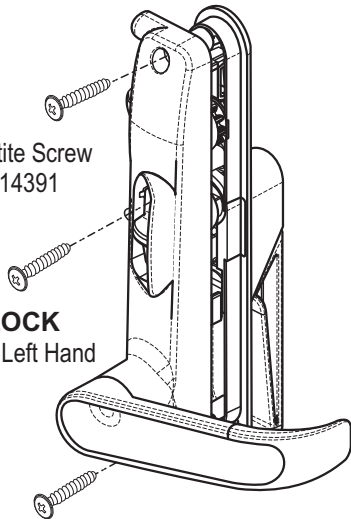
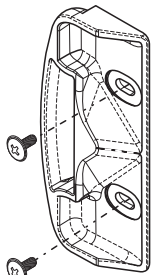
016752
(M4 screws)

Strike
014383

Plastite Screw
014391

Plastite Screw
014391

Strike
014383



016752
(M4 screws)

MAIN LOCK
014384 - Left Hand

MAIN LOCK
014385 - Right Hand

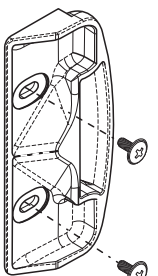
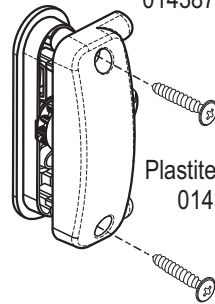
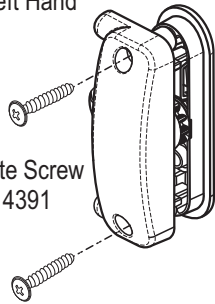
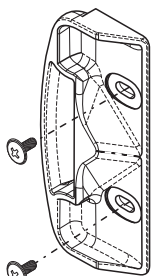
016752
(M4 screws)

Strike
014383

Remote Latch Assembly
014386 - Left Hand

Remote Latch Assembly
014387 - Right Hand

Strike
014383



016752
(M4 screws)

A/BRE1/RX Barrel Assy & Keys
014392

A/BRE1/RX Barrel Assy & Keys
014392

016752
(M4 screws)

How to replace CAMEC door locks

SECURITY DOOR

Take Care! **Do not remove the lock and remote latches at the same time.** Make sure at least one lock or latch is installed on the door at any time. Otherwise the aluminium rack in the security door will fall down making the alignment of the rack/latch gear more difficult.

Procedure to replace Lock.

1. Open the door and lift up Handle to separate Security door from the Main door.
2. Press Safety detent and slide locking snib down to expose the retaining screw. (refer to illustration A)
3. Undo retaining screws and remove main lock.
4. Install new inner main lock with locking snib down.
Use screwdriver to lift drive block and make sure latch gear engages with the rack. (refer to illustration B)
5. Remove the original key barrel in the outer main lock.
Place the key in the lock and turn so the square protrusions on the lock line up with the gaps in the housing. Place the barrel at an angle so the detent ball enters the housing first and depresses itself while the remainder of the lock is pushed in. The detent ball should pop out to secure the lock in place.
6. Fit the key barrel in the outer main lock. Position the detent ball at the side of the lock, install Outer Main Lock on door. Hand tighten screws. Do not overtighten. Put locking snib into normal position and test handle for correct operation. (refer to illustration C)

Procedure to replace Remote Latches.

1. Unscrew remote latches and remove remote latch. Install new remote latches in reverse order to removal and hand tighten screws. Do not overtighten. (refer to illustration D)
2. Test operation of the door.

