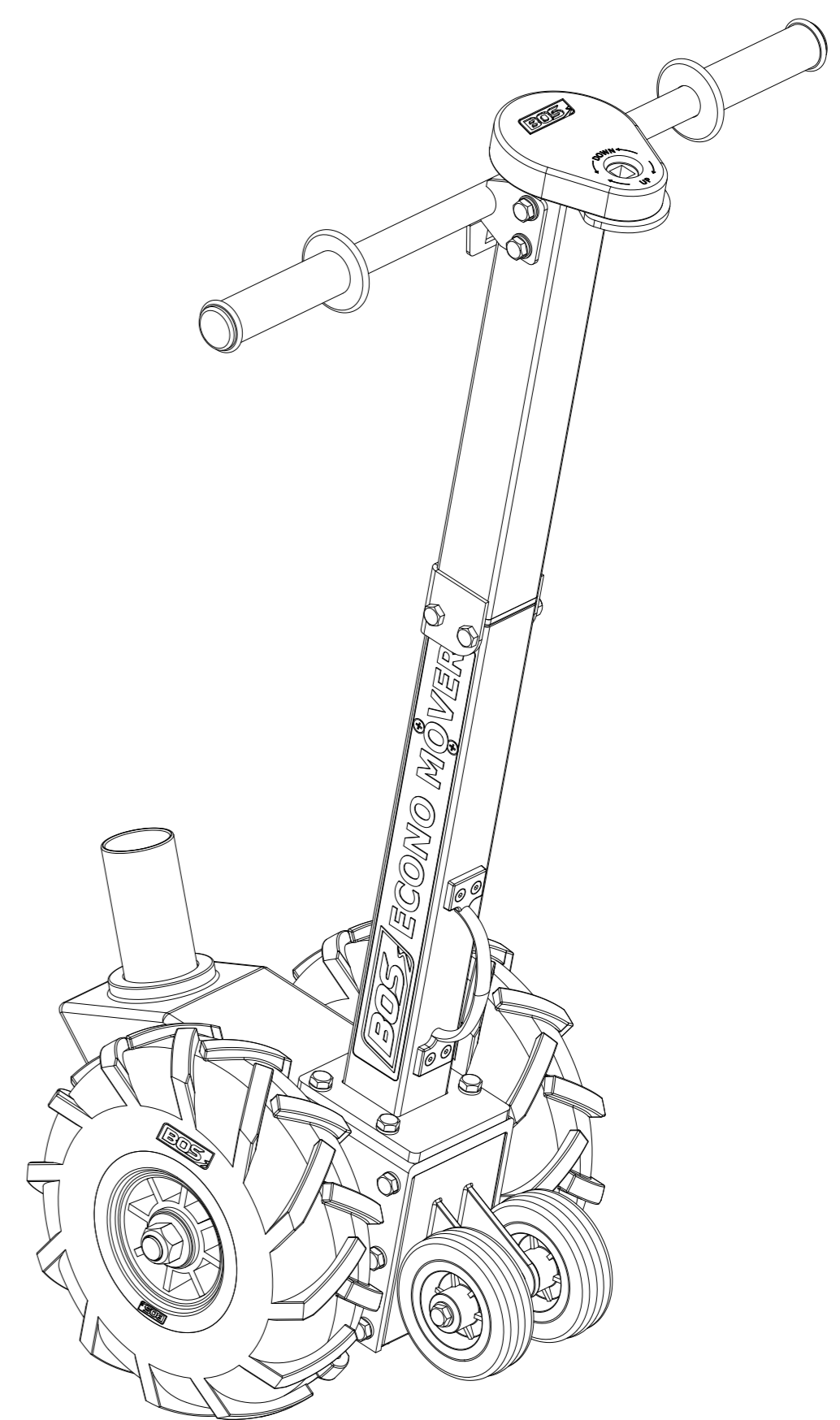
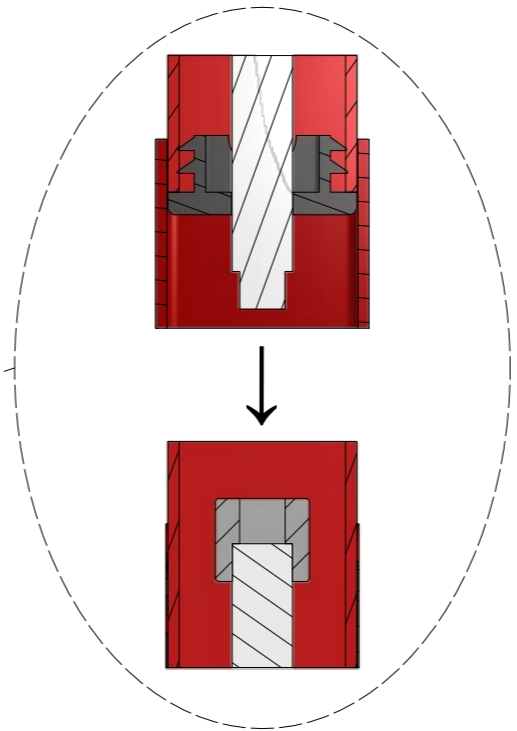
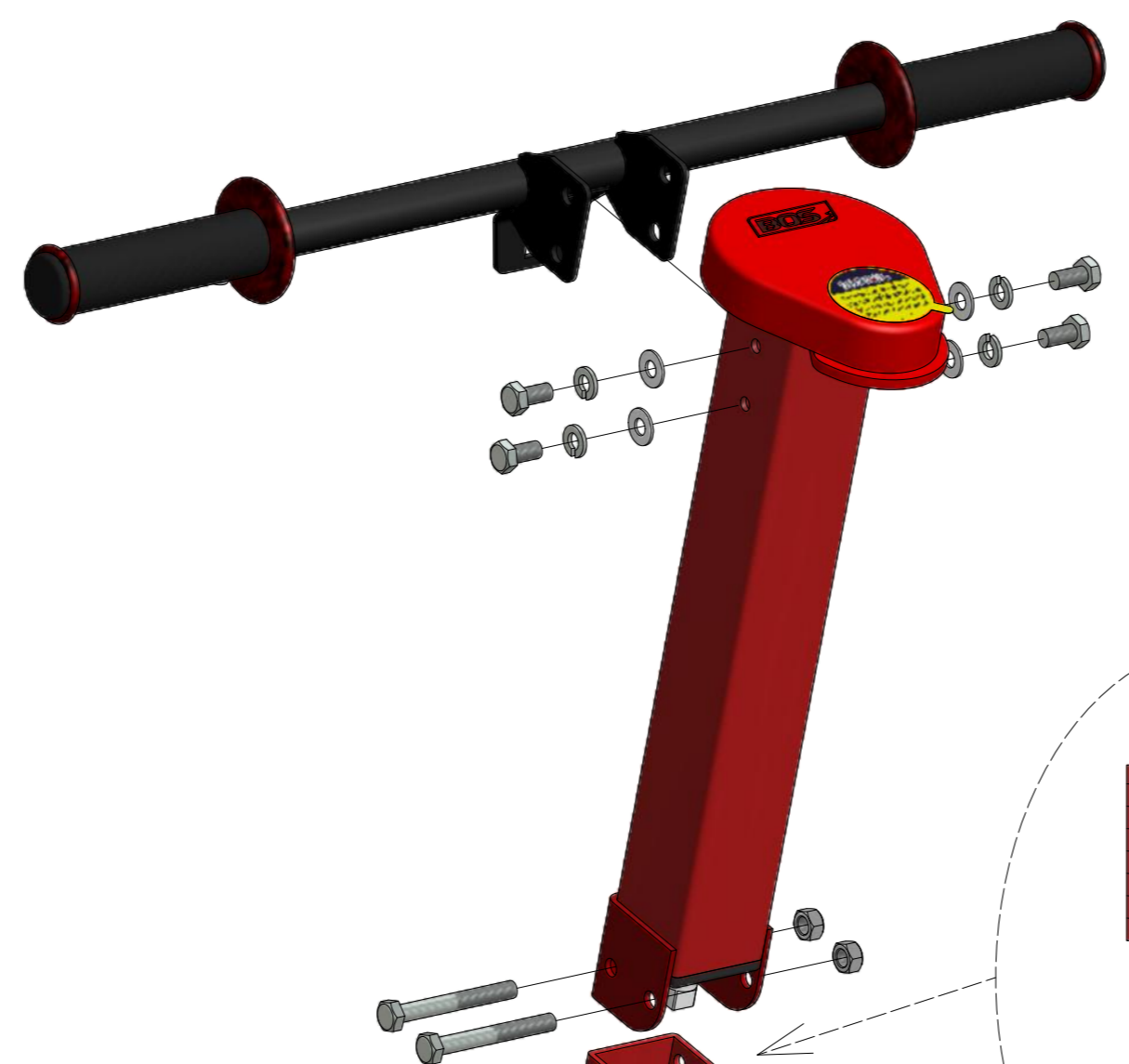


8 7 6 5 4 3 2 1

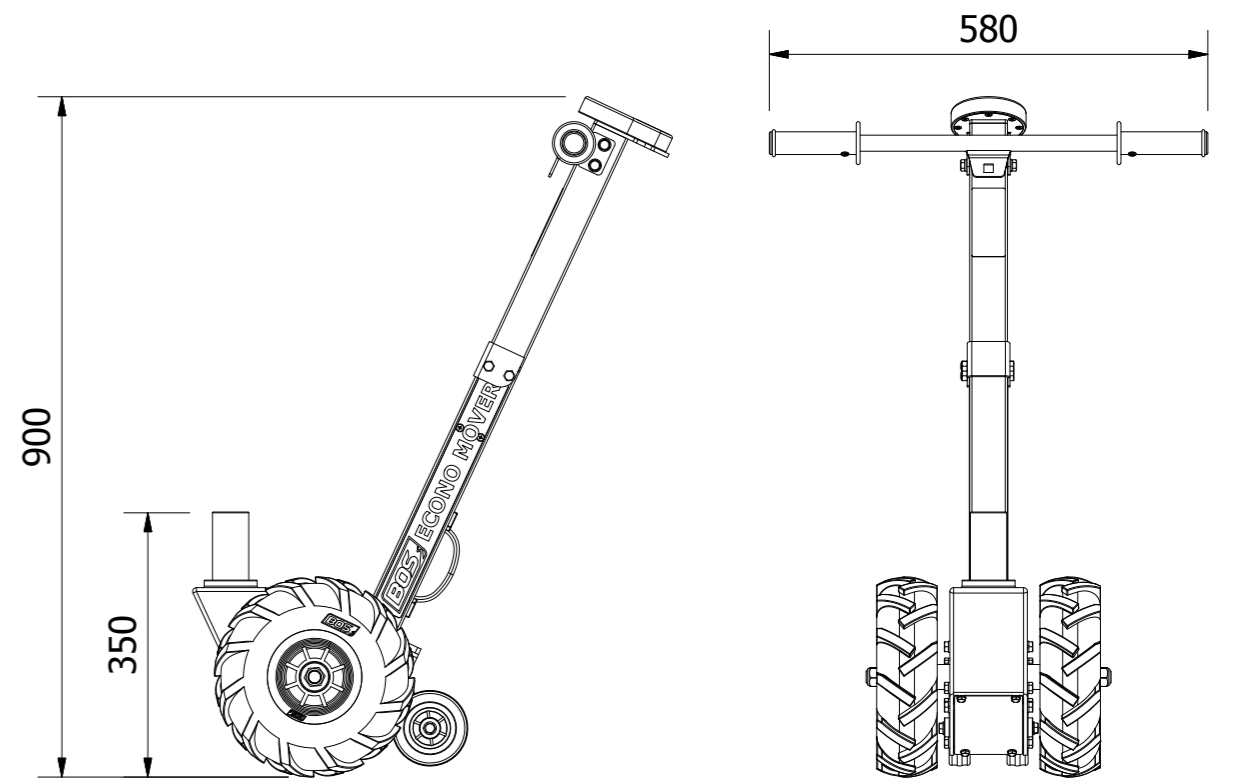
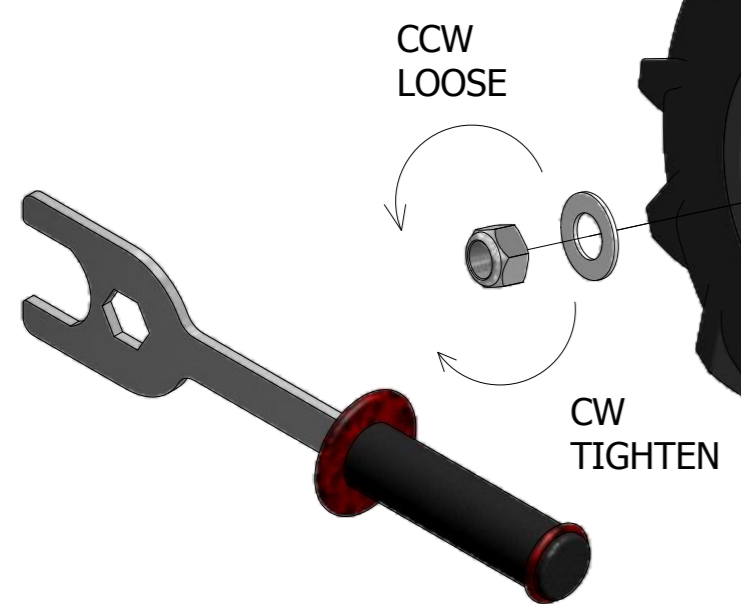
F E D C B A



REPLACE FOR ROAD UNIT



REPLACE FOR 4X4 UNIT



ECONO MOVER



Travel made easy

PART NO.:  
800-050

DO NOT SCALE DRAWING SHEET: 1 OF 1

8 7 6 5 4 3 2 1