

600 STABILISER LEG

Angle Positions

Installed on a Standard U-Bracket under the Chassis

A

A

B

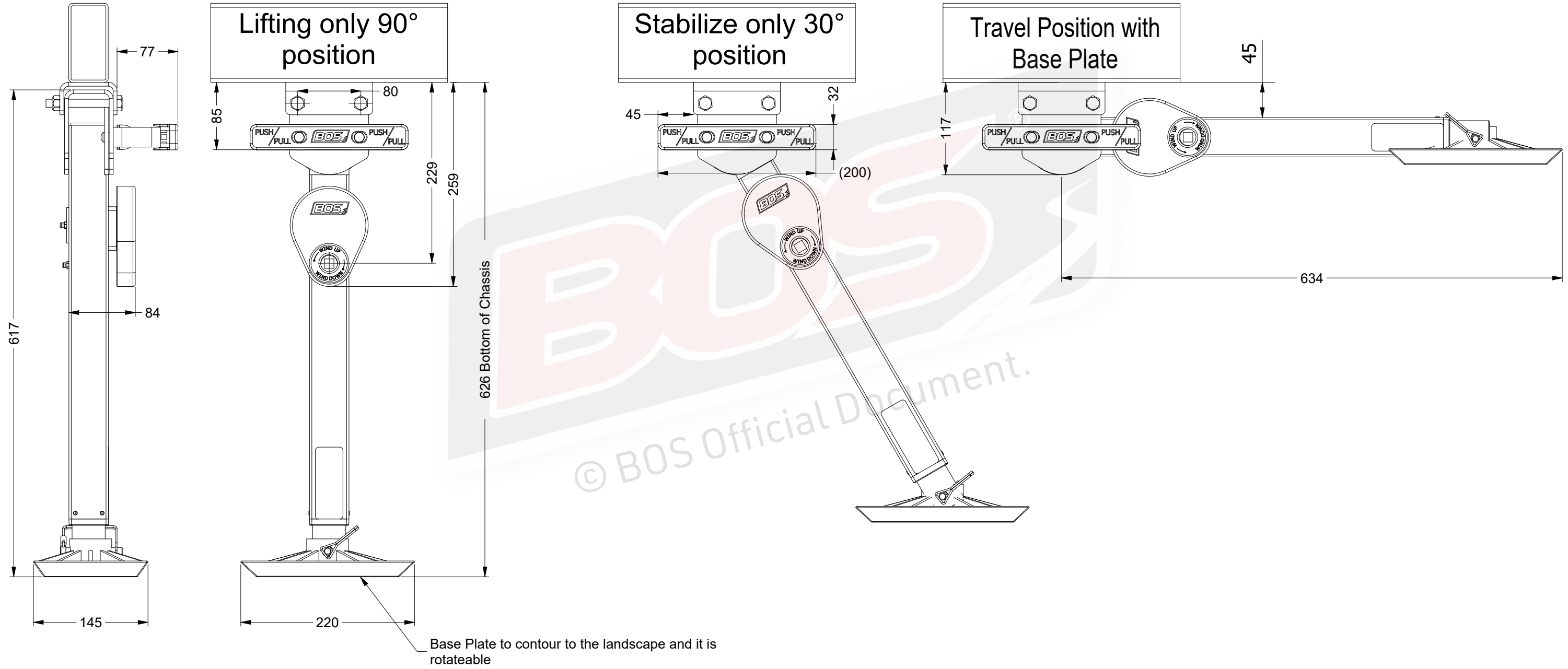
B

C

C

D

D



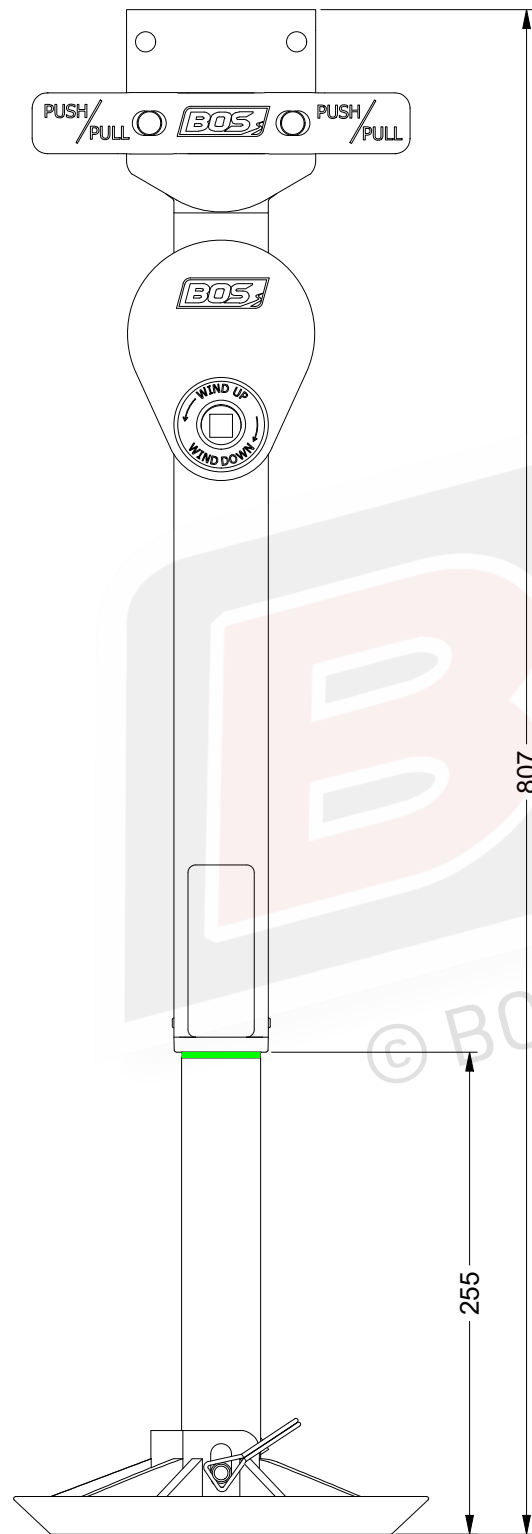
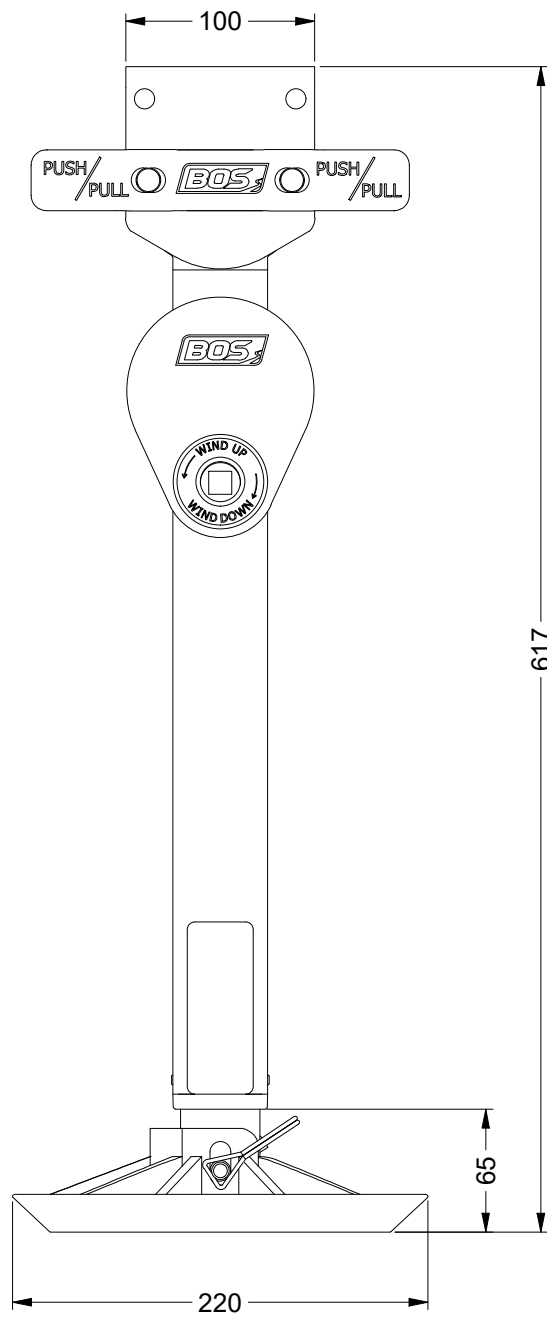
440-061 TWIN 600 LEG



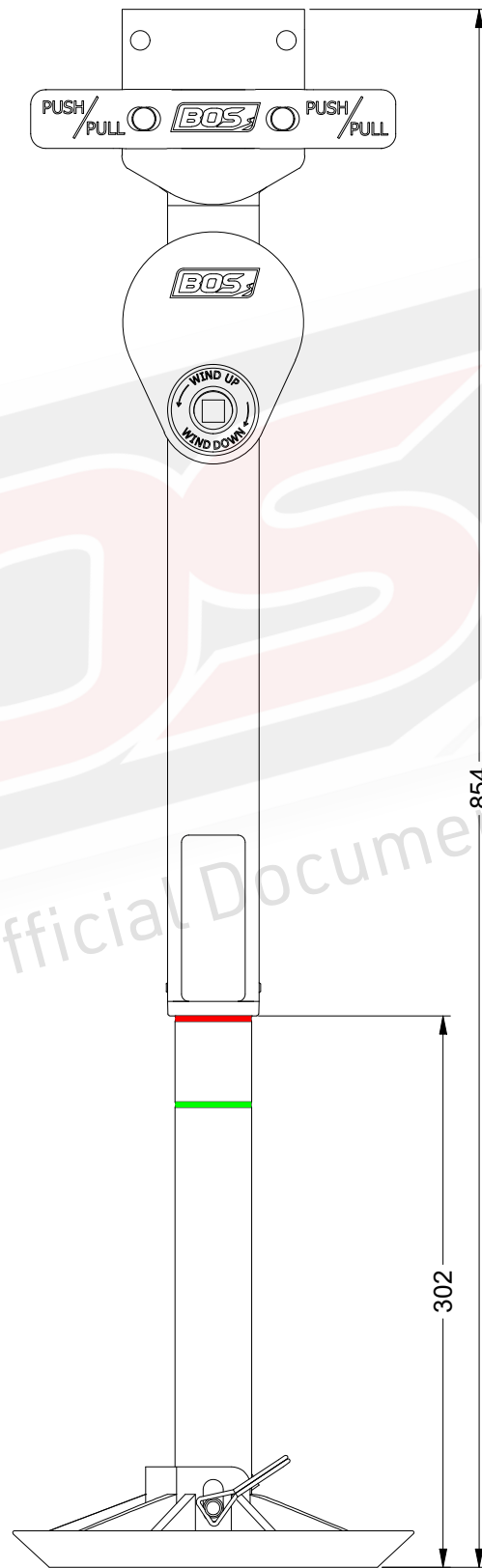
PART NO.:
440-061
600 LEG TWIN PACK
DO NOT SCALE DRAWING SHEET:

600 STABILISER LEG

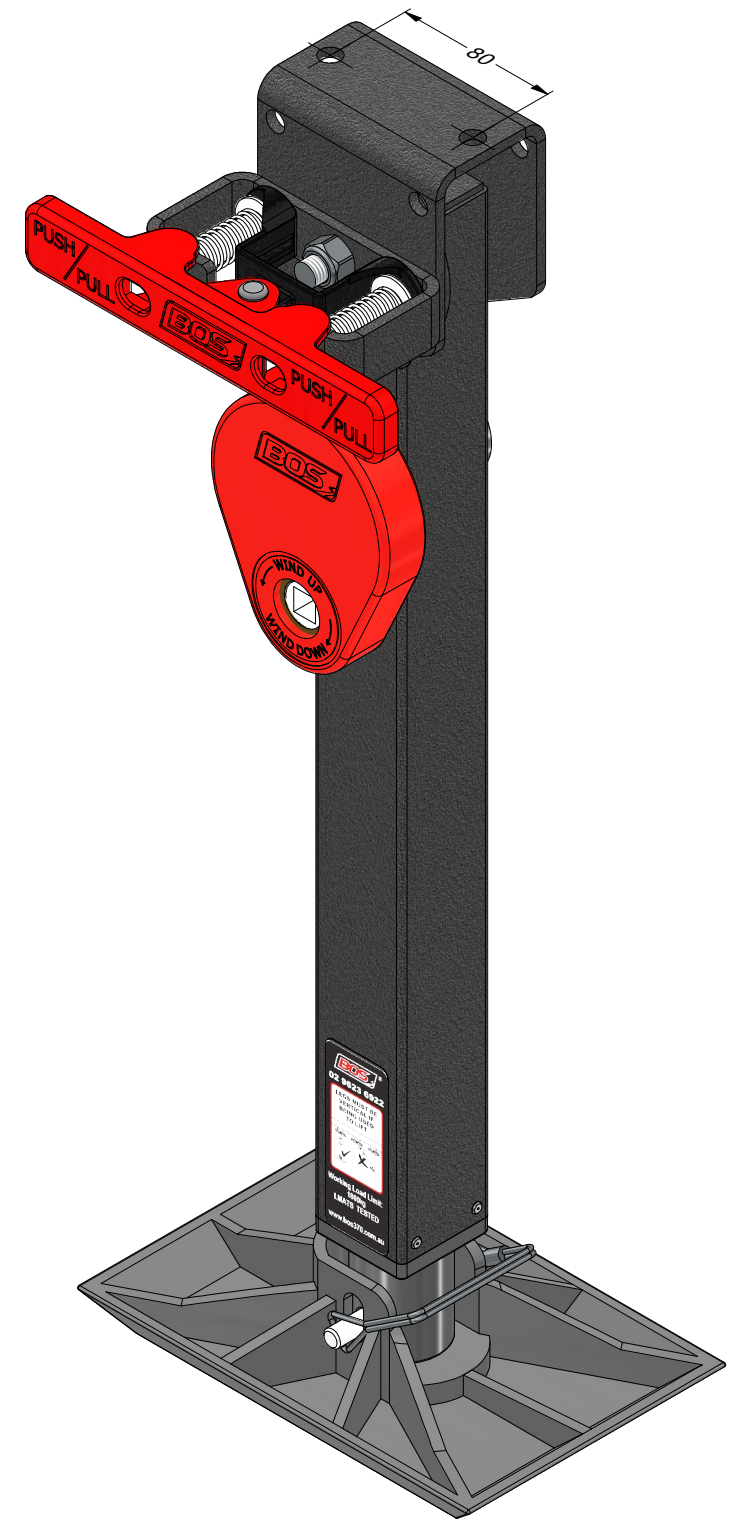
Retracted, Safe Extension and Maximum Travel



Green Travel (190mm)



Red Travel (237mm)



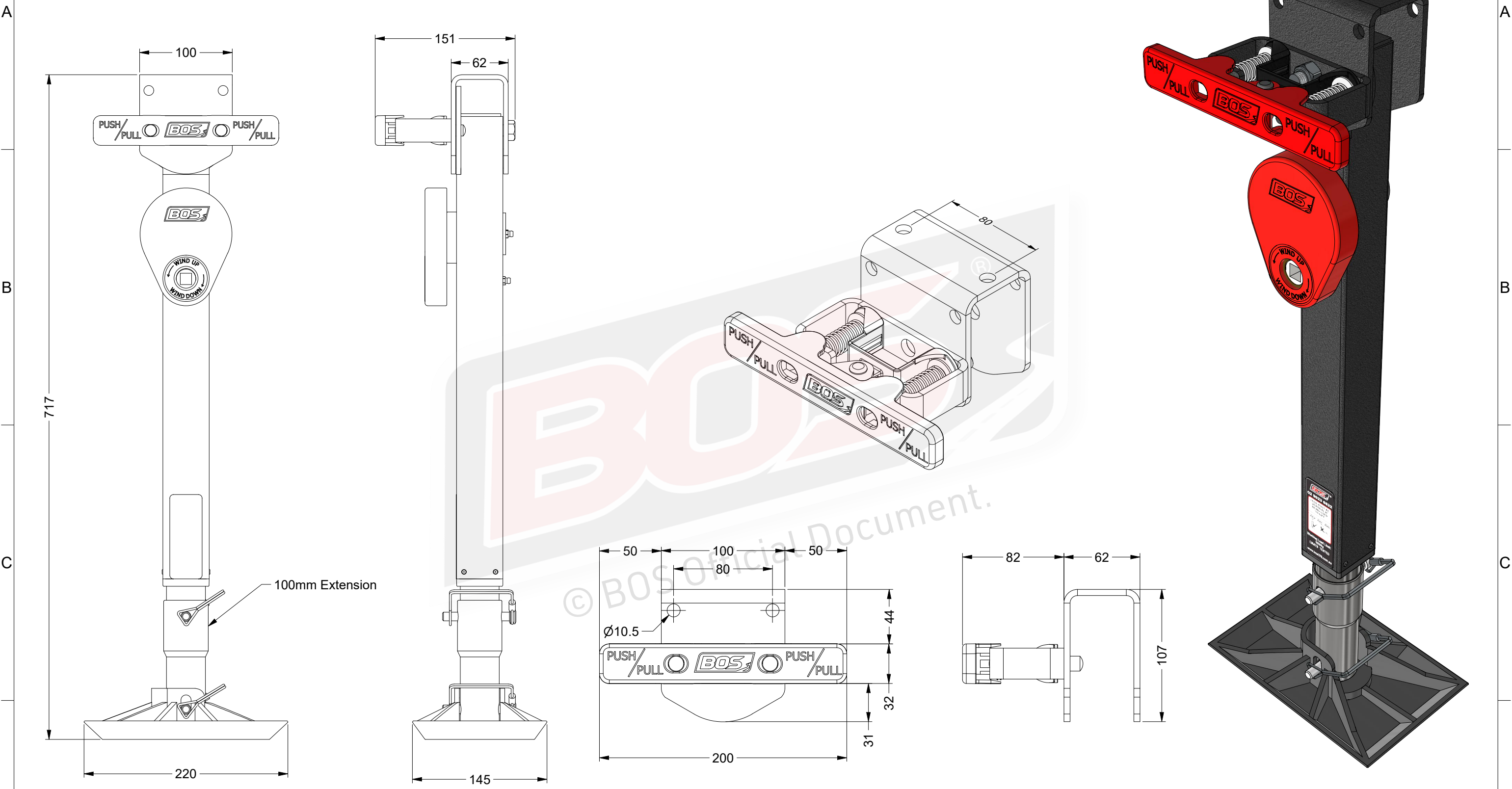
440-061 TWIN 600 LEG



PART NO.: 440-061	
600 STABILISER LEG	
DO NOT SCALE DRAWING	SHEET:

600 STABILISER LEG

With 100mm Extension



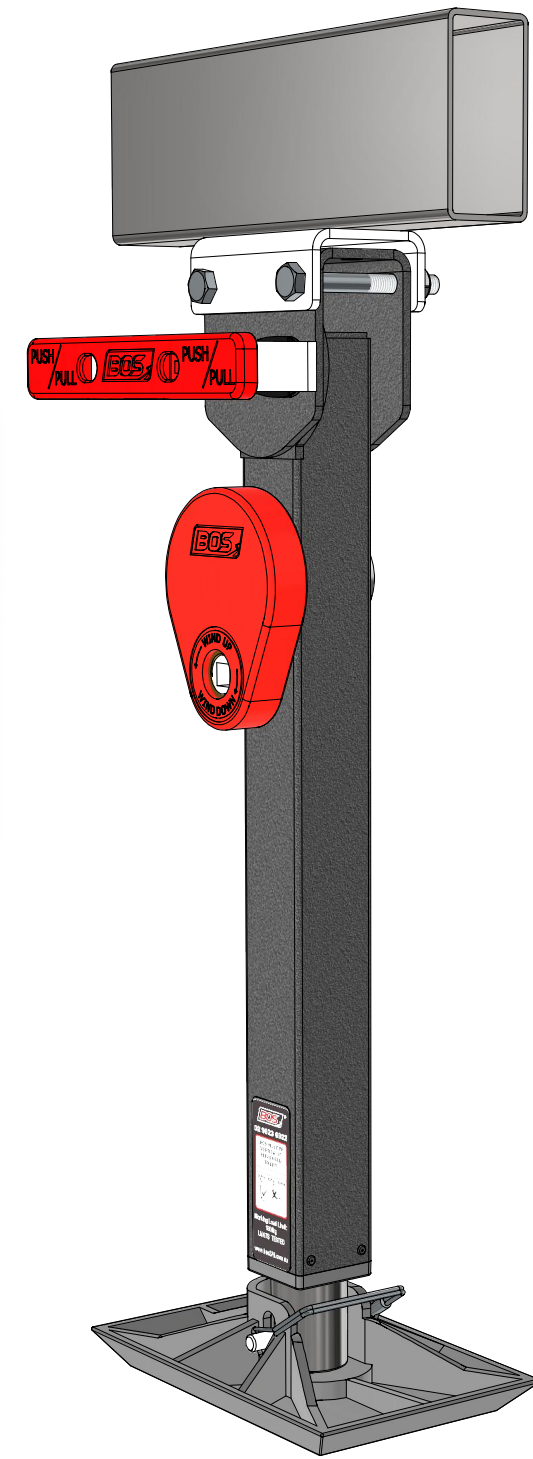
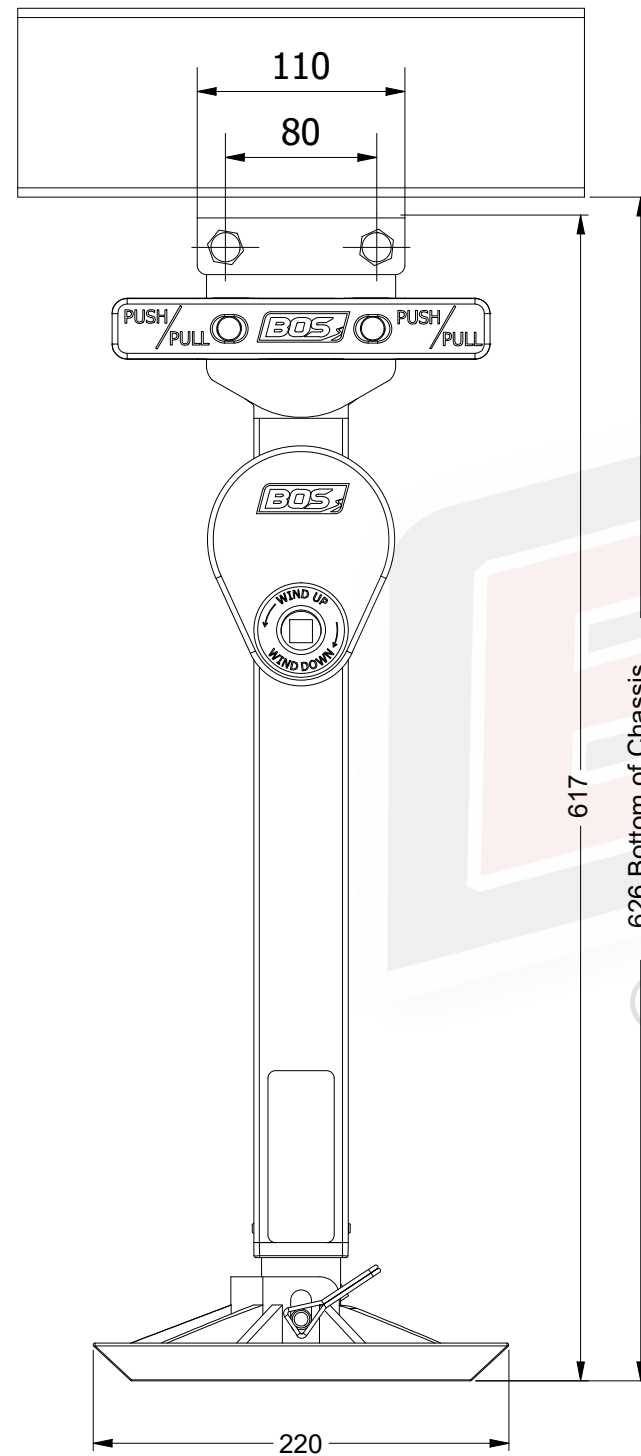
440-035 100mm EXTENSION TWIN PACK



PART NO.:
440-035
100mm EXTENSION TWIN PACK
DO NOT SCALE DRAWING SHEET:

600 STABILISER LEG

U-Bracket under the Chassis



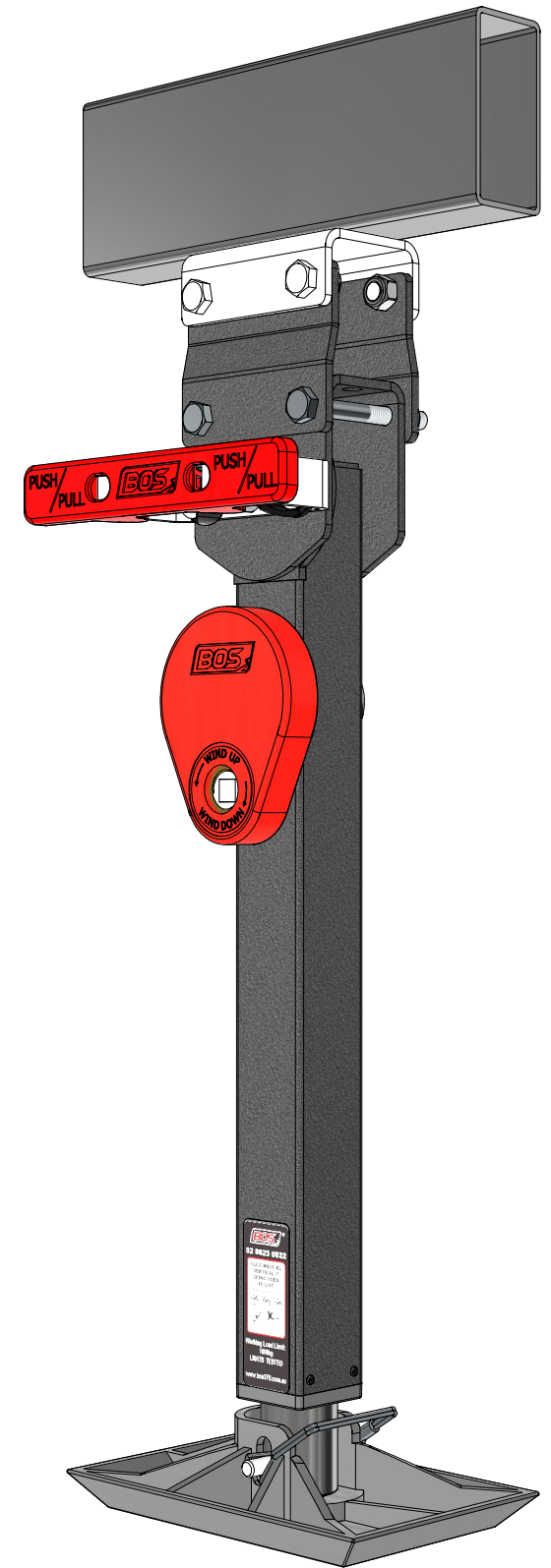
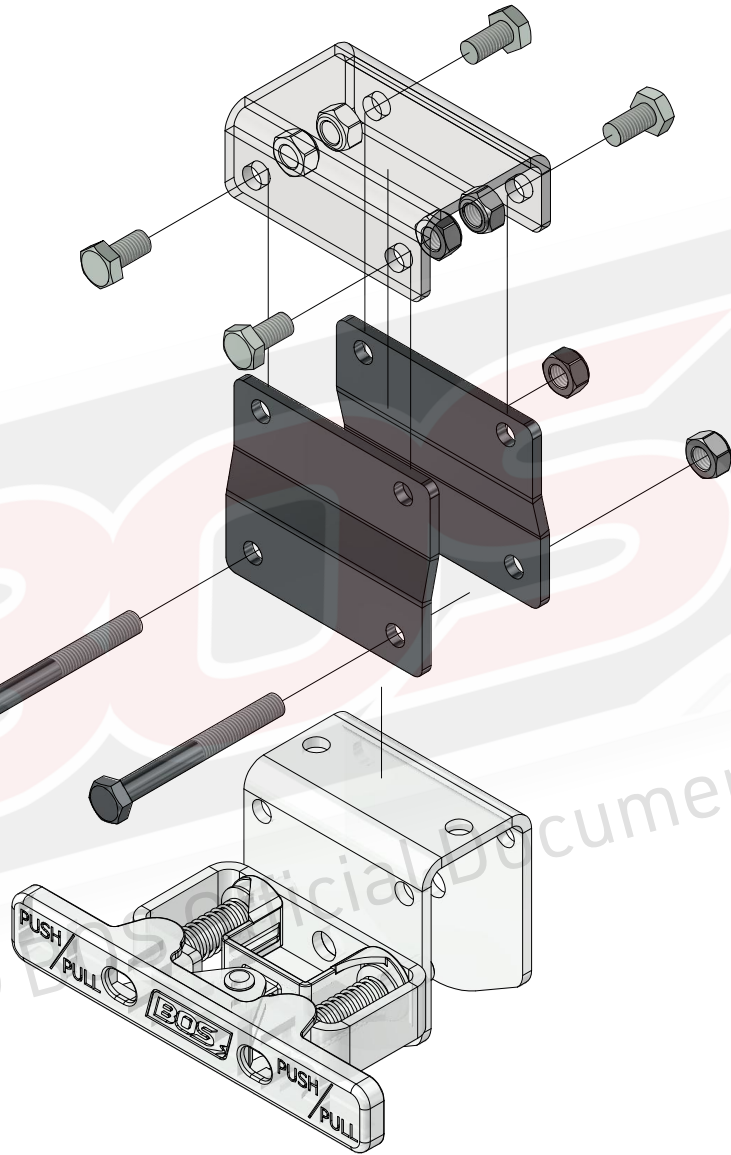
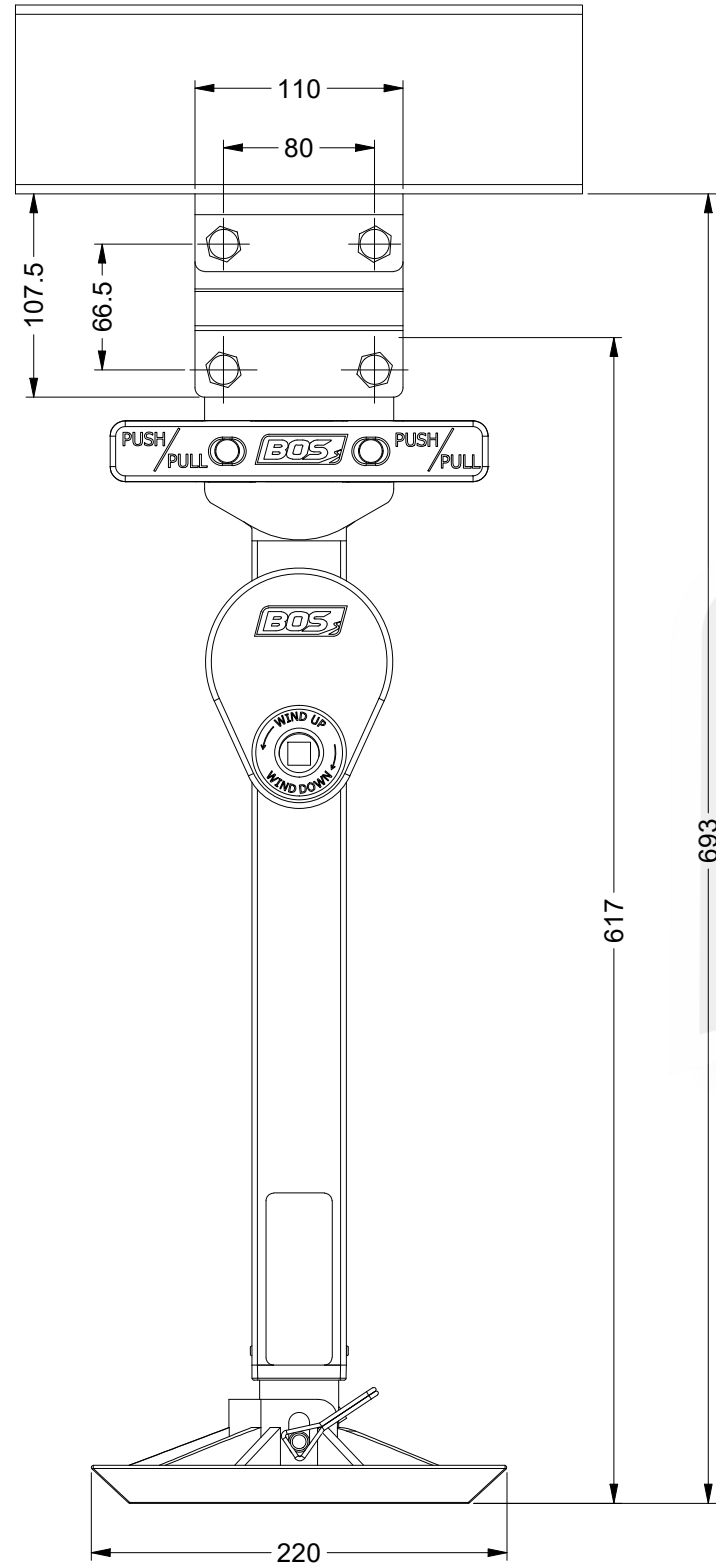
010-040 WELD ON U-BRACKET TWIN PACK



PART NO.:
010-040
WELD ON U-BRACKET TWIN PACK
DO NOT SCALE DRAWING SHEET:

600 STABILISER LEG

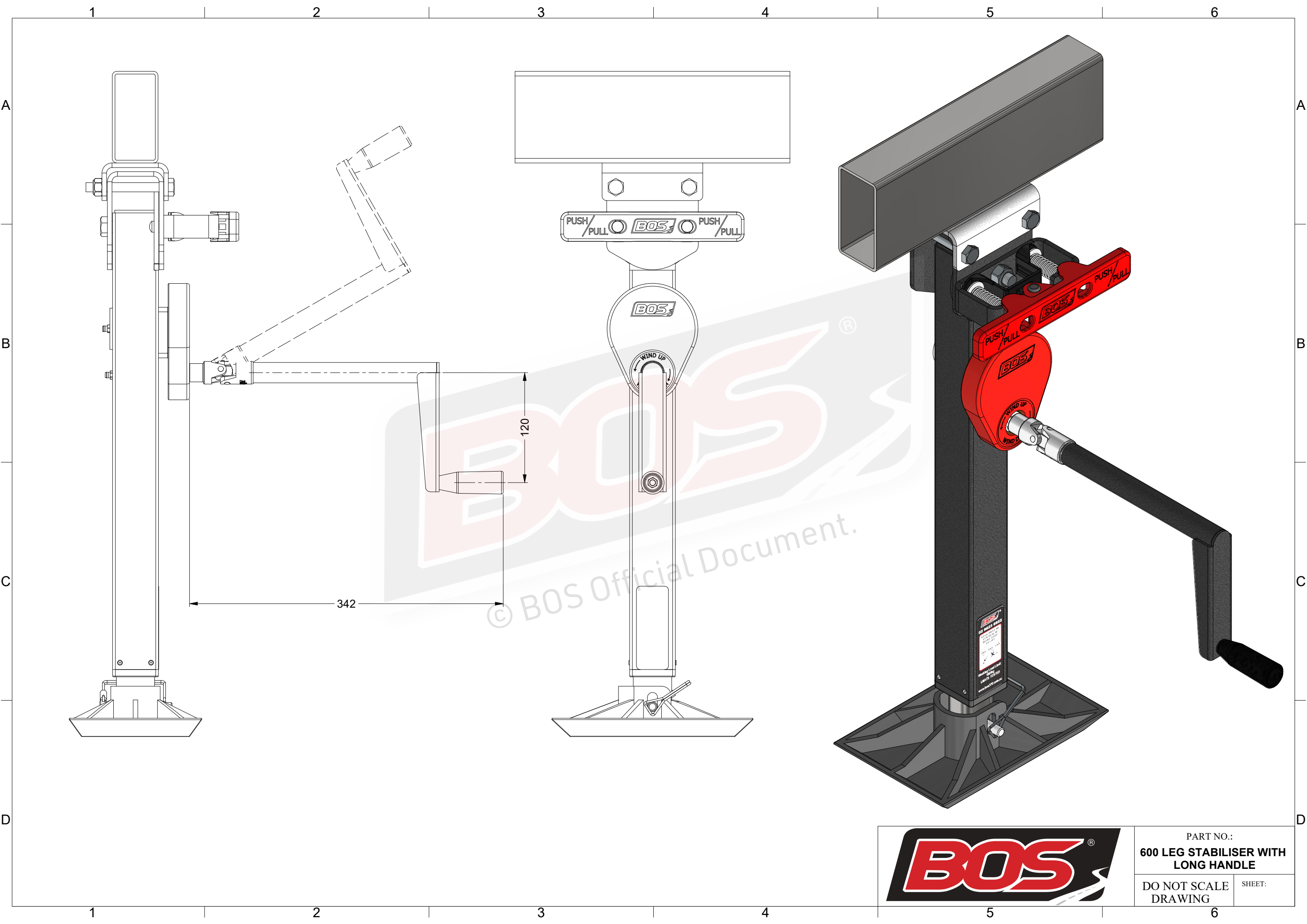
Installed between U-Bracket and Leg Bracket



010-025 EXTENSION BRACKET TWIN PACK



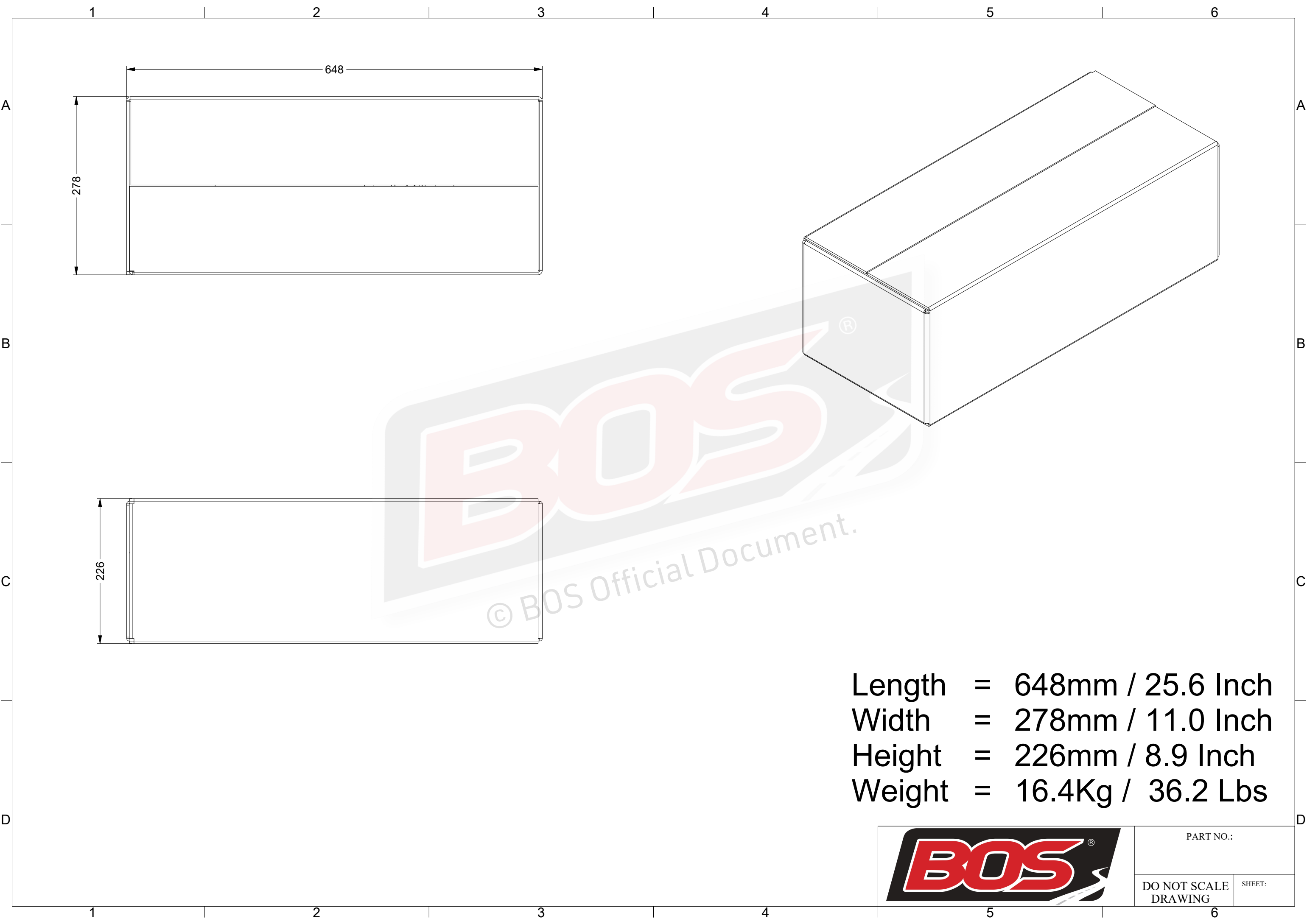
PART NO.: 010-025 EXTENSION BRACKET	
DO NOT SCALE DRAWING	SHEET:



PART NO.:
**600 LEG STABILISER WITH
LONG HANDLE**

DO NOT SCALE
DRAWING

SHEET:



Length = 648mm / 25.6 Inch
 Width = 278mm / 11.0 Inch
 Height = 226mm / 8.9 Inch
 Weight = 16.4Kg / 36.2 Lbs



PART NO.:	
DO NOT SCALE DRAWING	SHEET: