

MODEL: **440-061** (SOLD AS A PAIR)



Levelling made easy

STABILISER LEGS 600

- Heavy duty design allows you to level your caravan effortlessly with a cordless drill or manual handle as a backup.
- 255mm extended vertical travel allows you to raise your caravan off the ground to change a flat tyre.
- Stabilises your caravan at 30°.
- Load tested up to 1.8 tonne, each leg.
- Bolts into existing stabiliser mounting points.
- BOS® Patented Gearbox features a unique 12mm drive set for added security.
- Unique BOS® Patented PUSH/PULL Handle makes release & rotation easy.
- Large base plate can be angled and rotated for maximum stability.
- 100mm Pipe extensions available for extra length.

CHOICE OF FIXTURE POINTS
Fits standard U Bracket bolt holes.

TOP GREASE NIPPLE
Provides grease to bevel gearbox & input gearbox.

LOWER GREASE NIPPLE
Provides grease to bearing & thread.

PREMIUM TEXTURED BLACK POWDER COATED
CNC laser cut square pipe.

GUIDE BUSH
Square to round.

BOS® HDFR NYLON BASE PLATE
For angles up to 30°.



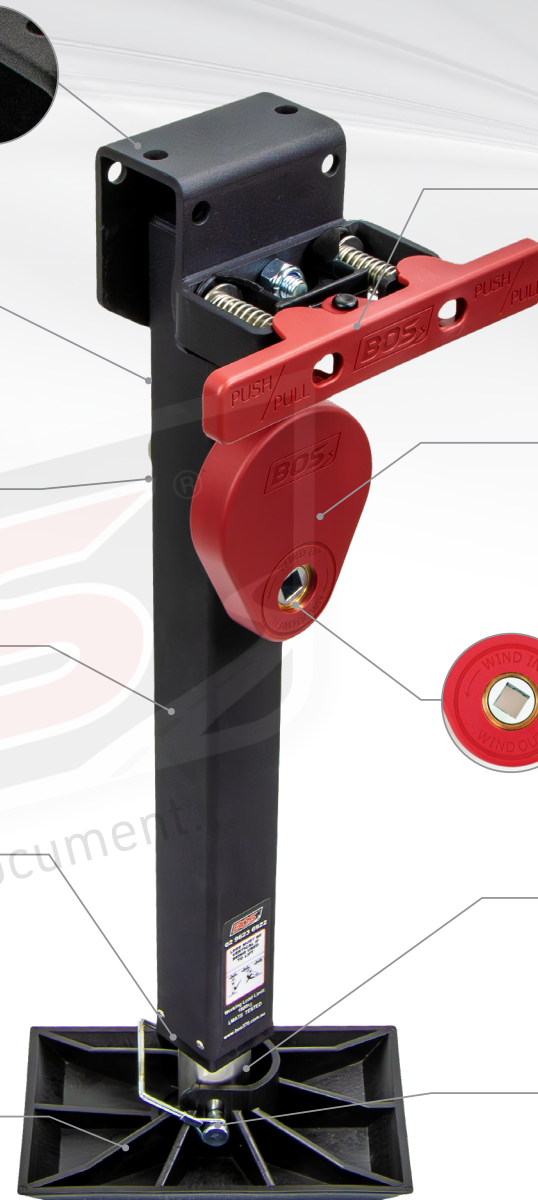
BOS® PATENTED PUSH/PULL HANDLE
Unique design allows you to push or pull from each end of the handle with little effort.

BOS® PATENTED GEARBOX
Allows effortless operation using a drill and the option to use manual handle with ease.

12MM INPUT (NOT 1/2")
Unique size gives added security.

BOS® FIRST TO USE STAINLESS STEEL INNER PIPE 42MM.

QUICK RELEASE LYNCH PIN.



With you all the way!



BOS Jockey Wheels & Accessories Pty Ltd.

02 9623 6922 | sales@bos370.com.au | www.bos370.com.au

100 % Australian Family Owned & Operated



Levelling made easy

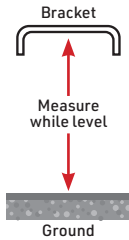
STABILISER LEGS 600 (SOLD AS A PAIR)

MODEL: 440-061

HOW TO MEASURE YOUR LEGS

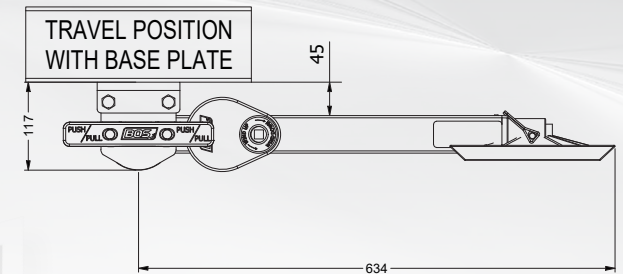
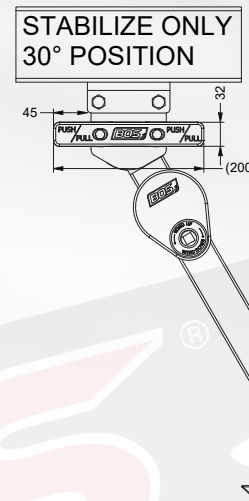
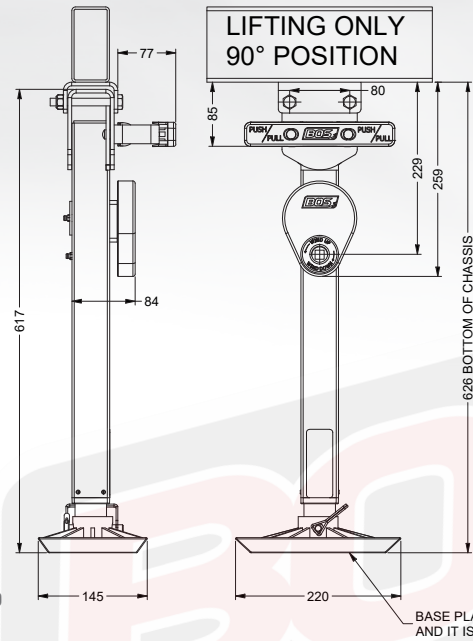
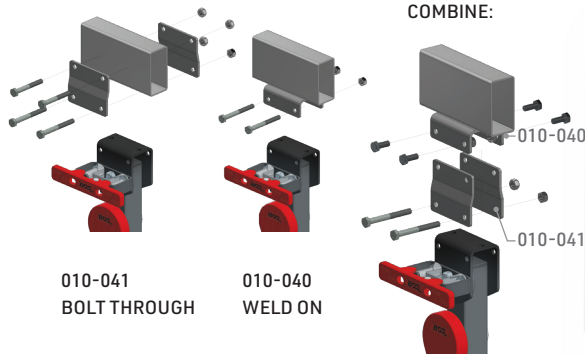
TO ENSURE THAT YOU ORDER THE CORRECT LEGS:

- Measure from inside the U bracket, to the ground, front and back when van is level
- DO NOT measure your old legs



PLEASE NOTE: LEGS NEED TO BE VERTICAL (90°) POSITION FOR LEVELING

MOUNTING OPTIONS:



TWIN LEG KIT INCLUDES:

- | | | | |
|--|--|---|--|
| 010-060
2x Base Plate (HDFR) Nylon | | 020-025
Manual Handle | |
| 020-018
x2 Quick Release Pin | | 010-036
BONUS BOS® Stubby Bottle Cooler | |
| 020-007
12mm Drill Drive Piece | | 010-035
BONUS BOS® Stubby Can Cooler | |

FOR EXTRA HEIGHT WE ALSO RECOMMEND:

440-035
Stainless steel pipe extensions 100mm
*Not included in kit.

