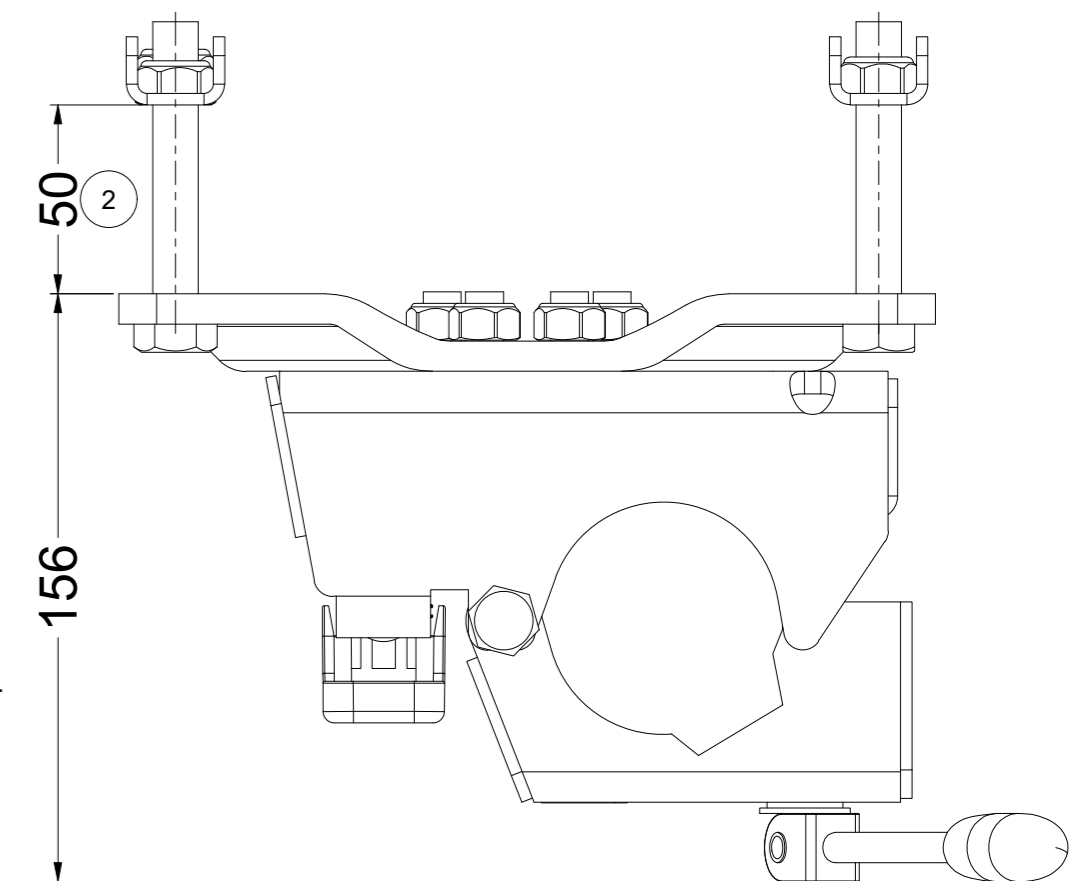
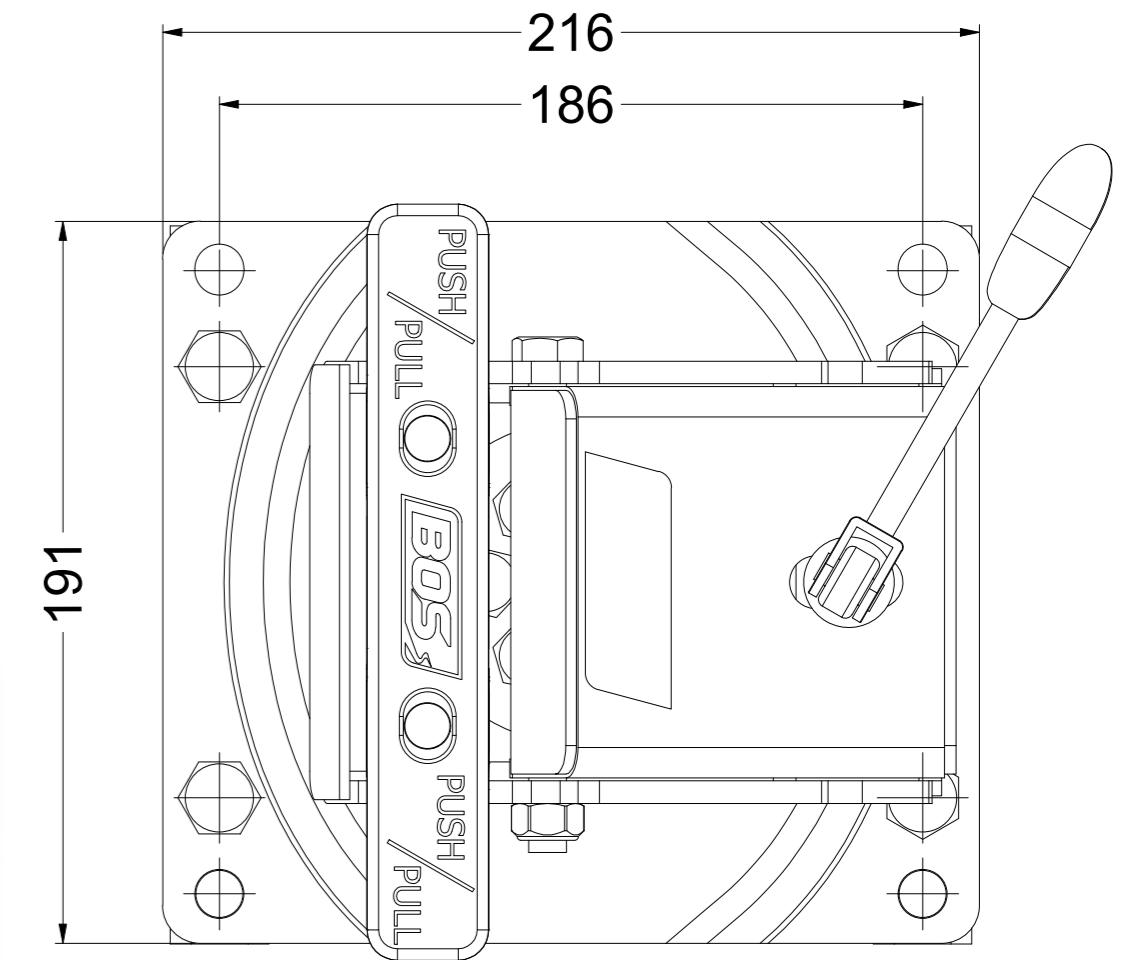
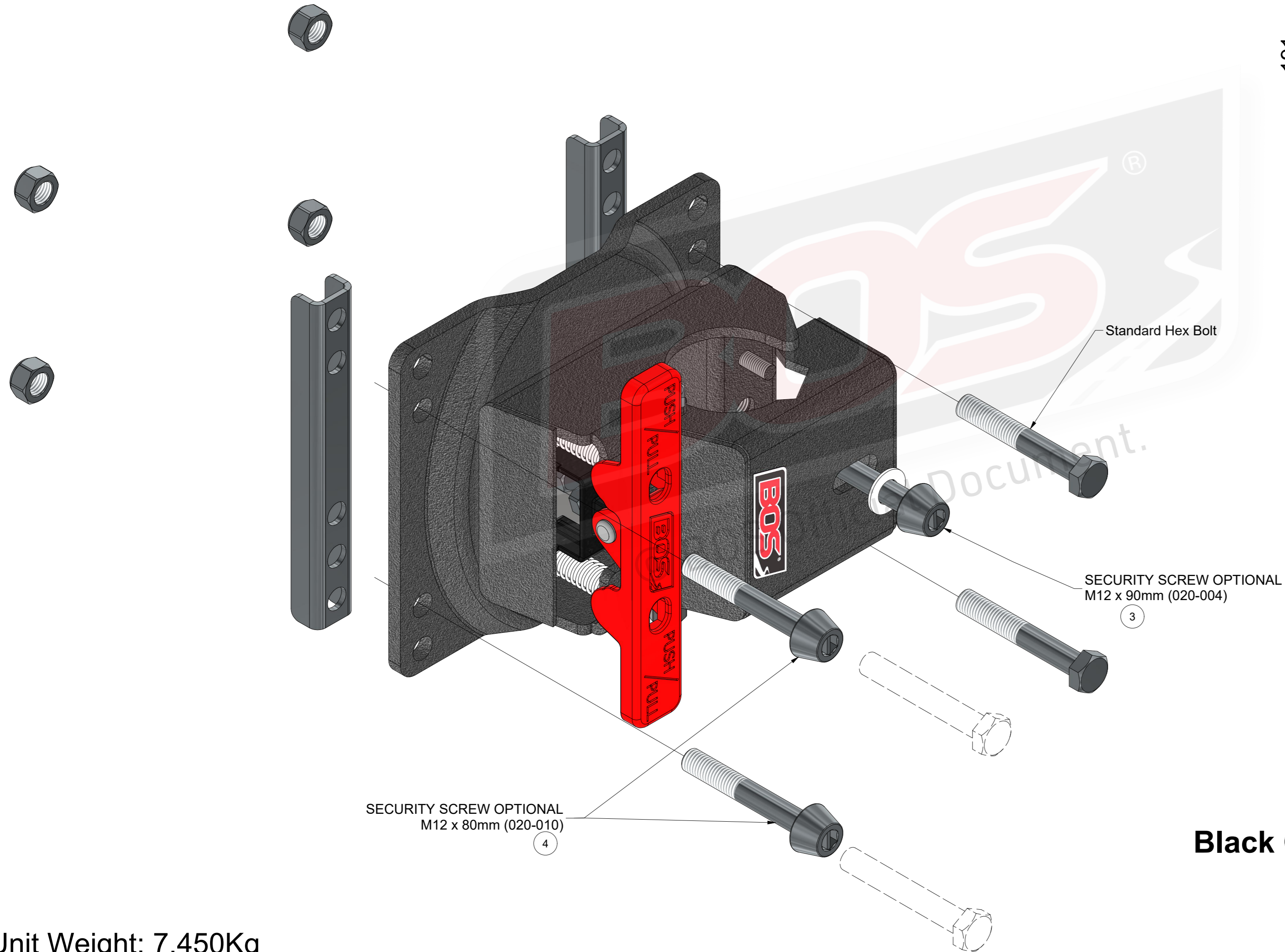


Note:

1. Mounting System suits Draw Bar Frames from 75mm up to 150mm.
2. For Draw Bars wider than 75mm (3") across, longer bolts will be required. Please inform when ordering.
3. Clamp Kit and Mounting System only come with Hex Screws. (Security Screws are optional)

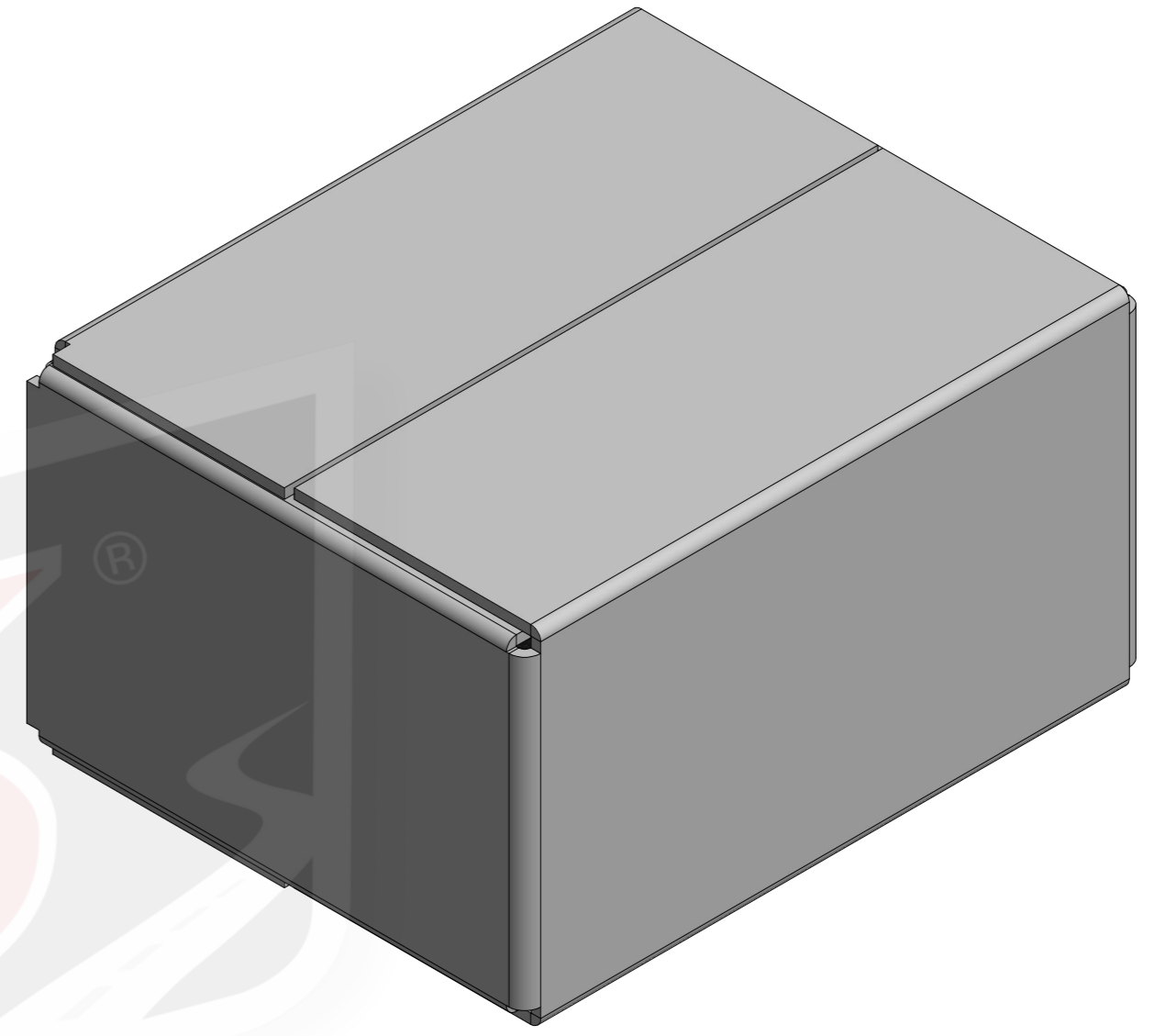
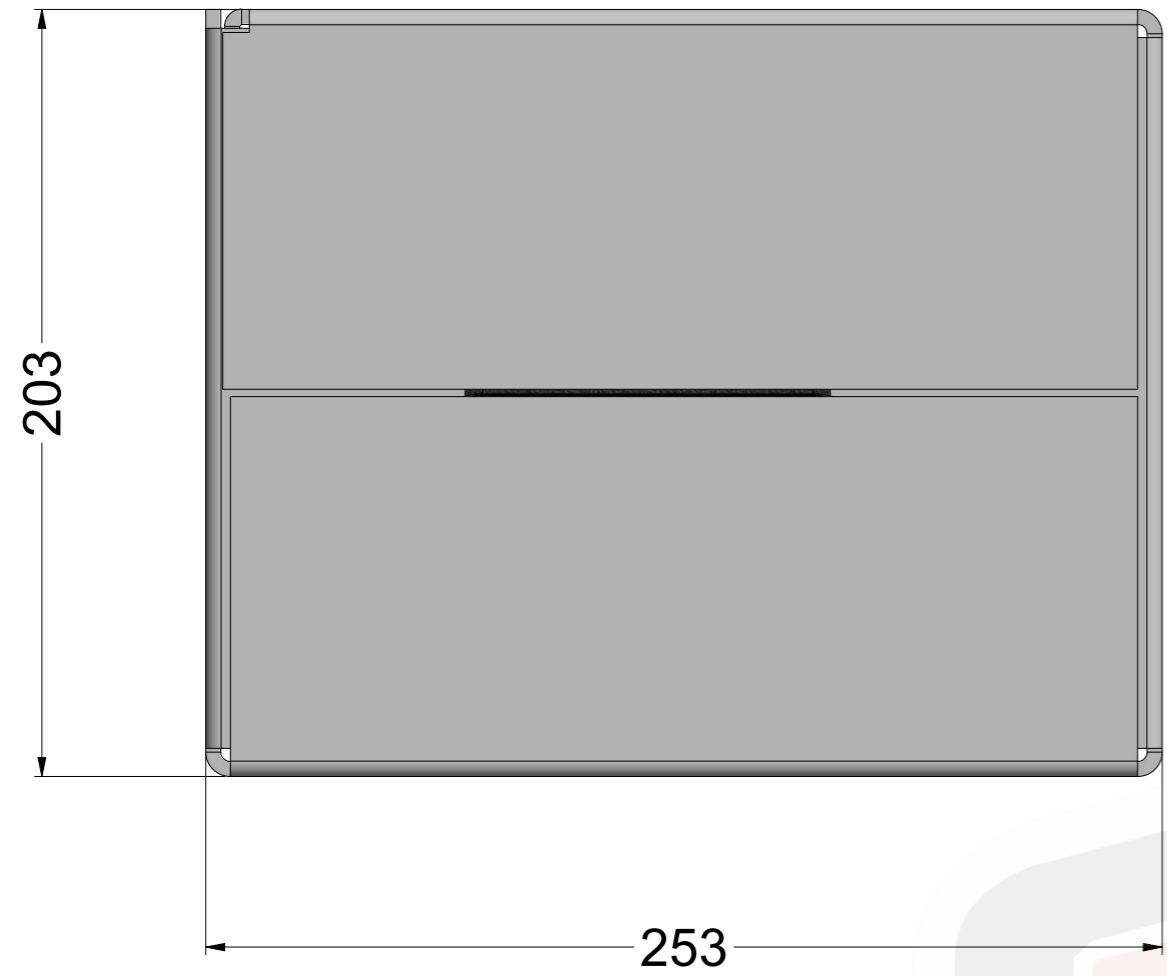
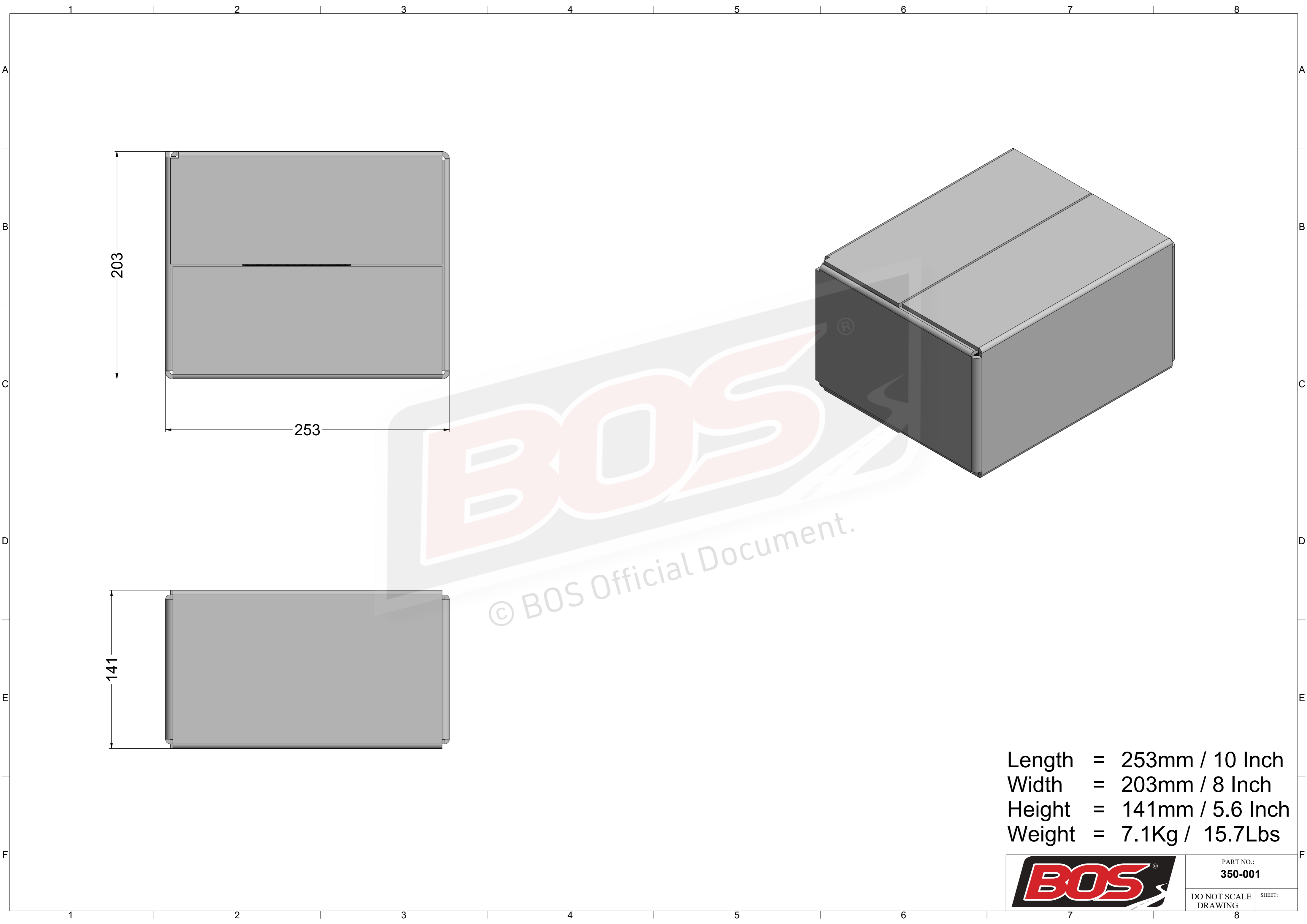


Black OPS 60mm Swing Away Bracket with Mounting Bolts

Unit Weight: 7.450Kg



PART NO.:	
350-001	
DO NOT SCALE DRAWING	SHEET:



Length = 253mm / 10 Inch
Width = 203mm / 8 Inch
Height = 141mm / 5.6 Inch
Weight = 7.1Kg / 15.7Lbs



PART NO.: 350-001	
DO NOT SCALE DRAWING	SHEET: 8