

# FURRION VISION S

VEHICLE OBSERVATION SYSTEM  
VISION S 5" SINGLE CAMERA SYSTEM

FOS05TASF



DOORWAY SECURITY  
/REAR CAMERA



5" MONITOR



INTERIOR TABLE STAND



WINDSHIELD MOUNT

## MONITOR & ACCESSORIES



DIGITAL  
WIRELESS



TOUCH  
SCREEN



ANTI-GLARE



REAR ASSIST  
MARKER LINES



SECURITY CAMERA  
AUTO-WAKE



DISPLAY UP TO  
4 CAMERAS\*



AUDIO



WINDSHIELD  
MOUNT



INTERIOR  
TABLE STAND



INTERIOR  
WALL MOUNT  
(sold separately)

## DOORWAY SECURITY/REAR CAMERA



CMOS 120°  
VIEW ANGLE



INFRARED  
NIGHT VISION



CAMERA  
RESOLUTION



INTELLIGENT  
IR CUT FILTER



MOTION  
DETECT



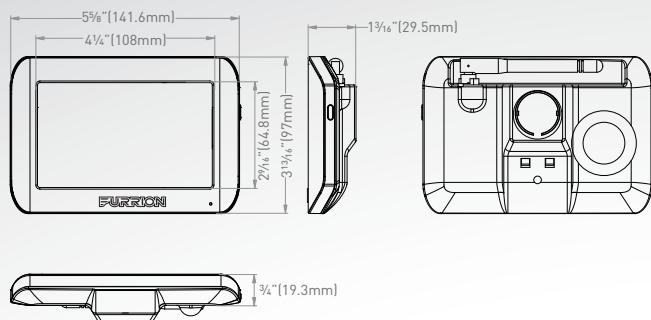
WATERPROOF

\* Additional feature when paired with multiple camera (sold separately)

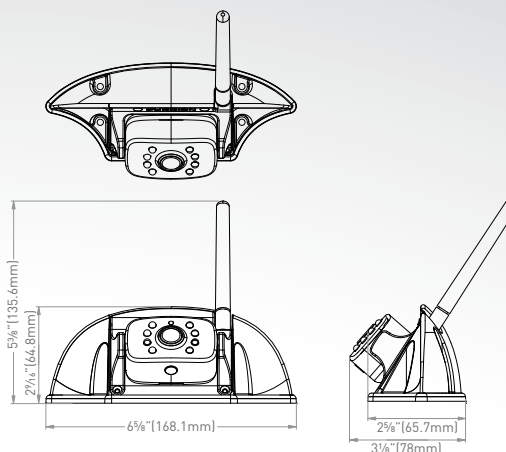


# FOS05TASF | VISION S 5" SINGLE CAMERA SYSTEM

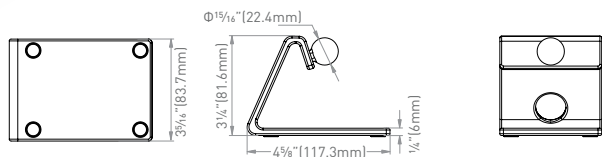
## Monitor



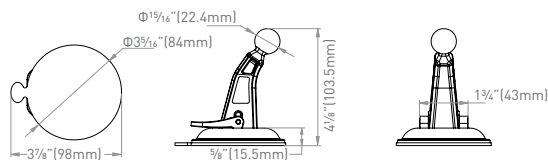
## Doorway Security / Rear Camera



## Interior Table Stand



## Windshield Mount



| Part Number | Product |
|-------------|---------|
| FOS05TASF   |         |

## Specifications

### Camera

|                          |                 |
|--------------------------|-----------------|
| Night Vision Distance    | <16.4ft (5m)    |
| CMOS Size                | 1/3"            |
| Optical Lens             | F2.0            |
| IR Cut Filter            | 850nm Automatic |
| View Angle/Degree        | 120°            |
| Working Current (IR ON)  | <400mA@12V      |
| Working Current (IR OFF) | <250mA@12V      |
| Camera Pixel             | 720 x 480       |
| Waterproof               | IP65            |

### Monitor

|                         |                       |
|-------------------------|-----------------------|
| LCD Backlight ON        | <500mA@12V            |
| LCD Backlight OFF       | <300mA@12V            |
| LCD Size                | 5"                    |
| LCD Resolution at 1View | 720 x 480             |
| LCD Brightness          | 440 cd/m <sup>2</sup> |
| LCD Contrast            | 700:1                 |
| LCD Viewing Angle       | L/R65, U50, D60       |
| LCD Aspect Ratio        | 16:9                  |
| Channel Bandwidth       | 20MHz                 |

### Camera/Monitor

|                       |                              |
|-----------------------|------------------------------|
| Supply Voltage        | DC8 to 30V                   |
| Wireless Frequency    | 2.4GHz                       |
| Wireless Range        | <492.13ft (150m) (open area) |
| Emitting Power        | 18+/-2 dBm                   |
| Transmitting Speed    | 6 Mbps (single)              |
| RF Modulation         | OFDM                         |
| Receiving Sensitivity | -88 +/-3dBm                  |
| Decompression Form    | H.264                        |
| Delaying Time         | <250ms                       |
| Type Approval         | FCC Part 15                  |